

Inductive Sensors

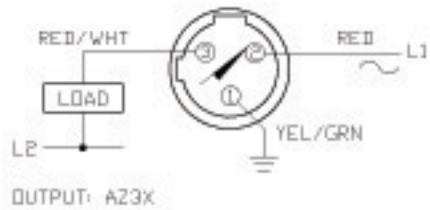


Housing Style	Part Number	ID Number	Features	Sensing Range (mm)	Output
30 mm - Nonembeddable, eurofast® Connection, Extended Barrel Length 	Ni 15-M30E-AD4X-H1141	T4417790		15	2-Wire DC
	Ni 15-M30E-AP6X-H1141	T4617791		15	3-Wire DC PNP
	Ni 15-M30E-VN4X-H1141	T1571590	Comp. Outputs	15	4-Wire DC NPN
	Ni 15-M30E-VP4X-H1141	T1561790	Comp. Outputs	15	4-Wire DC PNP
30 mm - Embeddable, microfast® Connection 	Bi 10-G30-ADZ30X2-B3131	T4207591		10	2-Wire AC/DC Short-Circuit Protected
	Bi 10U-G30-ADZ30X2-B3131	M4281613	Uprox	10	
	Bi 15-EG30H-ADZ30X2-B3131	T4207284	Stoneface	15	
	Bi 15-G30-ADZ30X2-B3131	T4207201		15	
	Bi 10-G30-AZ3X-B3131	T4372298		10	2-Wire AC/DC
30 mm - Embeddable, microfast Connection, Teflon Coated 	Bi 10-GT30-ADZ30X2-B3131/S34	T4256203	WFI	10	2-Wire AC/DC Short-Circuit Protected
	Bi 10-GT30H-ADZ30X2-B3131/S34	T4256094	Stoneface, WFI	10	
	Bi 10-GT30H-ADZ30X2-B3131/S34/S1589	T4255281	weldguard®, WFI	10	
	Bi 10U-GT30-ADZ30X2-B3131	M4281623	Uprox	10	
	Bi 10-GT30H-ADZ30X2-B3131/S34/S1610	T4207287-1	armorguard	10	
30 mm - Nonembeddable, microfast Connection 	Ni 15-G30-AZ3X-B3131	T1306090		15	2-Wire AC
	Ni 20-G30-ADZ30X2-B3131	T4205406		20	2-Wire AC/DC Short-Circuit Protected
	Ni 20U-G30-ADZ30X2-B3131	M4281813	Uprox	20	
30 mm - Nonembeddable, microfast Connection, Teflon Coated 	Ni 20U-GT30-ADZ30X2-B3131	M4281823	Uprox	20	2-Wire AC/DC Short-Circuit Protected

Voltage	Switching Freq. (Hz)	Operating Current (mA) AC/DC	Operating Temp. (°C)	Protection	Housing	Face	Power LED	Output LED	Mating Cordset	Wiring Diagram #	Wiring Diagrams
10-65 VDC	200	≤100	-25 to +70	IP 67	CPB	PA 12	N/A	YE	RK 4,2T-*	1	Diagram 1
10-30 VDC	500	≤200	-25 to +70	IP 67	CPB	PA 12	N/A	YE	RK 4T-*	2	
10-65 VDC	500	≤200	-25 to +70	IP 67	CPB	PA 12	N/A	YE	RK 4,4T-*	3	Diagram 2
10-65 VDC	500	≤200	-25 to +70	IP 67	CPB	PA 12	N/A	YE	RK 4,4T-*	4	
20-250 VAC 10-300 VDC	20	≤400/300	-25 to +70	IP 67	CPB	PA 12	GN	RD	KB 3T-*	5	Diagram 3
	20	≤400/300	-30 to +85	IP 67	CPB	PA 12	GN	YE	KB 3T-*	5	
	20	≤400/300	-25 to +70	IP 67	SS	SF	GN	RD	KBE 3T-*/S600	5	
	20	≤400/300	-25 to +70	IP 67	CPB	PA 12	GN	RD	KB 3T-*	5	
20-250 VAC 10-300 VDC	20	≤400/300	-25 to +70	IP 67	CPB	PA 12	N/A	YE	KB 3T-*	5	
20-250 VAC 10-300 VDC	20	≤400/300	-25 to +70	IP 67	TC	TC	GN	RD	KB 3T-*	5	Diagram 4
	20	≤400/300	-25 to +70	IP 67	TC	SF	GN	RD	KBE 3T-*/S600	5	
	20	≤400/300	-25 to +70	IP 67	TC	WG	GN	RD	KBE 3T-*/S600	5	
	20	≤400/300	-30 to +85	IP 67	TC	TC	GN	YE	KB 3T-*	5	
	20	≤400/300	-25 to +70	IP 67	AG	WG	GN	YE	KBE 3T-*/S600	5	
20-250 VAC 10-300 VDC	20	≤400/300	-25 to +70	IP 67	CPB	PA 12	N/A	YE	KB 3T-*	5	
20-250 VAC 10-300 VDC	20	≤400/300	-25 to +70	IP 67	CPB	PA 12	N/A	YE	KB 3T-*	5	
20-250 VAC 10-300 VDC	20	≤400/300	-25 to +70	IP 67	CPB	PA 12	GN	RD	KB 3T-*	5	Diagram 5
	20	≤400/300	-30 to +85	IP 67	CPB	PA 12	GN	YE	KB 3T-*	5	
20-250 VAC 10-300 VDC	20	≤400/300	-30 to +85	IP 67	TC	TC	GN	YE	KB 3T-*	5	

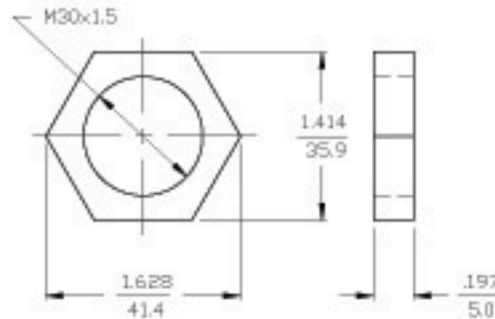
* Length in meters.

WIRING DIAGRAM



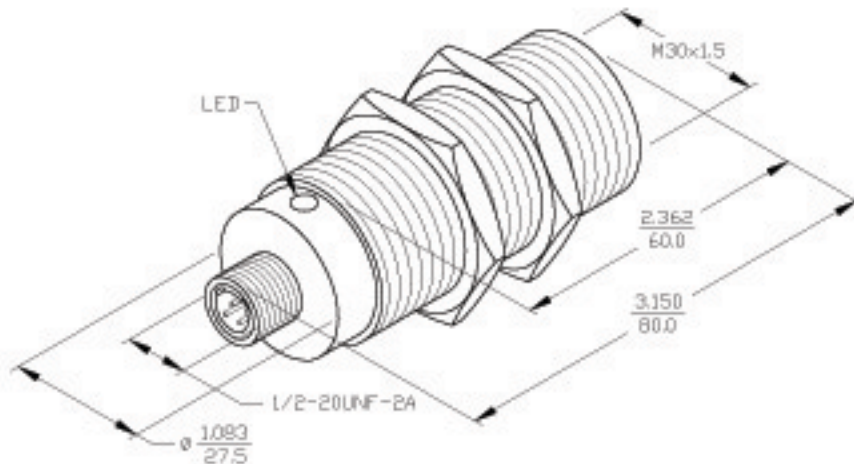
WARNING: NO SHORT-CIRCUIT PROTECTION.
ALWAYS WIRE A LOAD IN SERIES WITH THE SENSOR.

LOCKNUT LN-M30



SPECIFICATIONS

OPERATING VOLTAGE	20-250 VAC
LINE FREQUENCY	40-60 Hz
HYSTERESIS (DIFFERENTIAL TRAVEL)	3-15% (5% TYPICAL)
VOLTAGE DROP ACROSS CONDUCTING SENSOR	≤7.0 V at 500 mA
OUTPUT FUNCTION -AZ	NORMALLY OPEN 2-WIRE AC SELF-CONTAINED
SHORT-CIRCUIT PROTECTED	NO
CONTINUOUS LOAD CURRENT	≤500 mA
LEAKAGE (OFF-STATE) CURRENT	≤1.7 mA
MINIMUM LOAD CURRENT	≥5.0 mA
INRUSH CURRENT	≤8.0 A (≤10 ms/5 Hz)
TIME DELAY BEFORE AVAILABILITY	≤25 ms
POWER-ON EFFECT PROTECTION	INCORPORATED
PROTECTION AGAINST TRANSIENTS	5 kV, 10 ns, 10 kΩ
OPERATING TEMPERATURE	-25°C to +70°C (-13°F to +158°F)
ENCLOSURE	MEETS NEMA 1, 3, 4, 6, 13 AND IEC IP67
SHOCK	30 g, 11 ms
VIBRATION	55 Hz, 1 mm AMPLITUDE (ON ALL 3 PLANES)
LED FUNCTION	RED OUTPUT ENERGIZED
SENSING RANGE	10 mm = .394" (NOMINAL)
SWITCHING FREQUENCY	20 Hz
REPEATABILITY	≤2% of NOMINAL SENSING RANGE
SHIELDED	YES
MATING PLUGS/CABLES	3-PIN "MICROFAST" CONSTRUCTION



NOTES: 1. PROTECTIVE TEFLON CAP AVAILABLE FOR SENSING HEAD.
TURCK PART NO. CAP-30-PTFE.

MATERIAL BRASS BARREL	3RD ANGLE PROJECTION		TURCK inc
FINISH COPPER, NICKEL, CHROME PLATING			
DRWN GMB DATE 3/7/89	PART NO. B110-G30-AZ3X-B3131	SIZE 10 NO. B 4372298	REV A
D-KD DATE	DIMENSIONS ARE IN INCHES mm		SCALE NONE BMQD-A\4372298 SHEET OF

A	SEE REVISION DOCUMENT G30-B3	RJP	4/6/92	
REV	DESCRIPTION	DRFT	DATE	CHKD
				REVISIONS