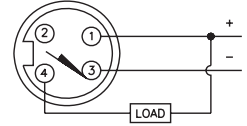
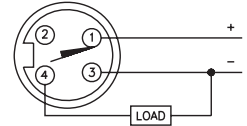
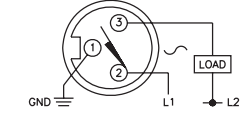
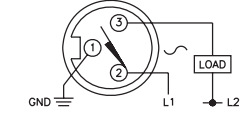


Inductive Sensors

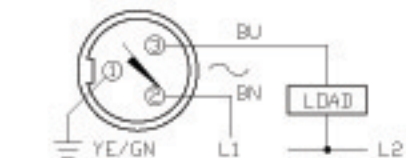


Housing Style	Part Number	ID Number	Features	Sensing Range (mm)	Output
30 mm - Embeddable, minifast® Connection 	Bi 10-G30-AN6X-B1141	T4695400		10	3-Wire DC NPN
	Bi 10-G30-AP6X-B1141	T4696500		10	3-Wire DC PNP
30 mm - Embeddable, minifast Right Angle Connection 	Bi 10-G30-AN6X-B1441	T4695800		10	3-Wire DC NPN
	Bi 10-G30-AP6X-B1441	T4696900		10	3-Wire DC PNP
30 mm - Embeddable, minifast Connection 	Bi 10-G30-ADZ30X2-B1131	T4207500		10	2-Wire AC/DC Short-Circuit Protected
	Bi 10U-G30-ADZ30X2-B1131	M4281612	<i>Uprox</i>	10	
	Bi 15-EG30H-ADZ30X2-B1131	T4207292	<i>Extended Range</i>	15	
	Bi 15-G30-ADZ30X2-B1131	T4207202	<i>Extended Range</i>	15	
		Bi 10-G30-AZ3X-B1131	T4372200		10
30 mm - Embeddable, minifast Connection 	Bi 10-EG30-AZ3X-B1131/S120	M4372202	<i>High Temp. +120° C</i>	10	2-Wire AC/DC

Voltage	Switching Freq. (Hz)	Operating Current (mA) VAC/VDC	Operating Temp. (°C)	Protection	Housing	Face	Power LED	Output LED	Mating Cordset	Wiring Diagram #	Wiring Diagrams
10-30 VDC	500	≤200	-25 to +70	IP 67	CPB	PA 12	N/A	YE	RKM 40-*M	1	<p>Diagram 1</p> 
10-30 VDC	500	≤200	-25 to +70	IP 67	CPB	PA 12	N/A	YE	RKM 40-*M	2	<p>Diagram 2</p> 
10-30 VDC	500	≤200	-25 to +70	IP 67	CPB	PA 12	N/A	YE	RKM 40-*M	1	<p>Diagram 3</p> 
10-30 VDC	500	≤200	-25 to +70	IP 67	CPB	PA 12	N/A	YE	RKM 40-*M	2	
20-250 VAC 10-300 VDC	20	≤400/300	-25 to +70	IP 67	CPB	PA 12	GN	RD	RKM 30-*M	3	
	20	≤400/300	-30 to +85	IP 67	CPB	PA 12	GN	YE	RKM 30-*M	3	
	20	≤400/300	-25 to +70	IP 67	SS	SF	GN	RD	RKV 30-*M	3	
	20	≤400/300	-25 to +70	IP 67	CPB	PA 12	GN	RD	RKM 30-*M	3	
20-250 VAC 10-300 VDC	20	≤400/300	-25 to +70	IP 67	CPB	PA 12	N/A	RD	RKM 30-*M	3	
20-250 VAC 10-300 VDC	20	≤400/300	-25 to +120	IP 67	CPB	PTFE	N/A	YE	2M/PTFE	3	

* Length in meters.

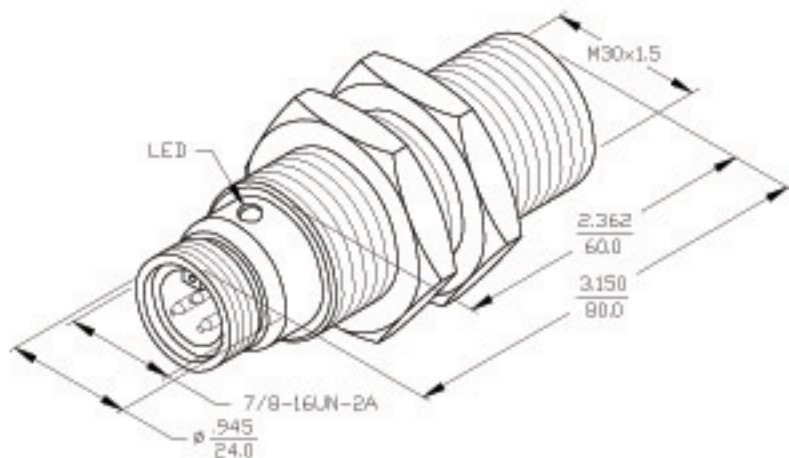
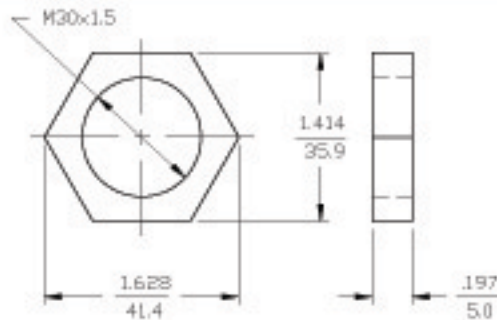
WIRING DIAGRAMS



OUTPUT: AZ3X

WARNING: NO SHORT-CIRCUIT PROTECTION
ALWAYS WIRE A LOAD IN SERIES WITH THE SENSOR.

LOCKNUT LN-M30



NOTES: 1. PROTECTIVE TEFLON CAP AVAILABLE FOR SENSING HEAD.
TURCK PART NO. CAP-30-PTFE.

SPECIFICATIONS

OPERATING VOLTAGE	20-250 VAC
LINE FREQUENCY	40-60 Hz
DIFFERENTIAL TRAVEL (HYSTERESIS)	3-15% (5% TYPICAL)
VOLTAGE DROP ACROSS CONDUCTING SENSOR	≤7.0 V at 500 mA
OUTPUT FUNCTION -AZ	NORMALLY OPEN 2-WIRE AC SELF-CONTAINED
SHORT-CIRCUIT PROTECTED	NO
CONTINUOUS LOAD CURRENT	≤500 mA
OFF-STATE (LEAKAGE) CURRENT	≤1.7 mA
MINIMUM LOAD CURRENT	≥5.0 mA
INRUSH CURRENT	≤8.0 A (≤10 ms/5 Hz)
TIME DELAY BEFORE AVAILABILITY	≤25 ms
POWER-DN EFFECT PROTECTION	INCORPORATED
PROTECTION AGAINST TRANSIENTS	5 kV, 10 ns, 10 kA
OPERATING TEMPERATURE	-25°C to +70°C (-13°F to +158°F)
ENCLOSURE	MEETS NEMA 1, 3, 4, 6, 13 AND IEC IP67
SHOCK	30 g, 11 ms
VIBRATION	55 Hz, 1 mm AMPLITUDE (IN ALL 3 PLANES)
LED FUNCTION	RED OUTPUT ENERGIZED
SENSING RANGE	10 mm = .394" (NOMINAL)
SWITCHING FREQUENCY	20 Hz
REPEATABILITY	≤2% OF RATED OPERATING DISTANCE
EMBEDDABLE (SHIELDED)	YES
MATING PLUGS/CABLES	3-PIN "MINI" CONSTRUCTION

MATERIAL BRASS BARREL	3RD ANGLE PROJECTION 	TURCK inc
FINISH COPPER, NICKEL, CHROME PLATING		
DRFT SMW DATE 3/3/87	PART NO./DESCR. B110-G30-AZ3X-B1131	
OSDN YJ	SIZE B ID NO. 4372200	REV B
DIMENSION UNITS: INCHES [MILLIMETERS]	SCALE NONE BM0D-A\4372200	SHEET OF

B SEE REVISION DOCUMENT 4372200	SVC 12/28/93	
REV DESCRIPTION	DRFT DATE	ECN NO.
REVISIONS		