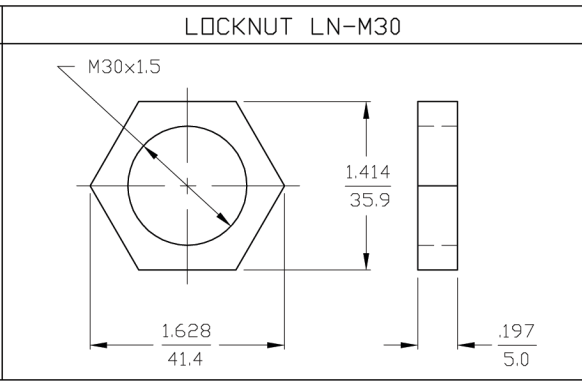
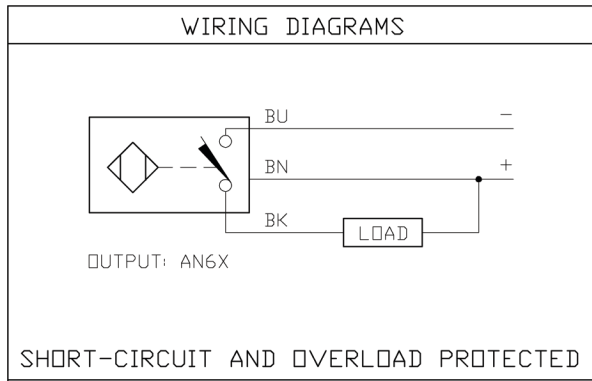


# Inductive Sensors



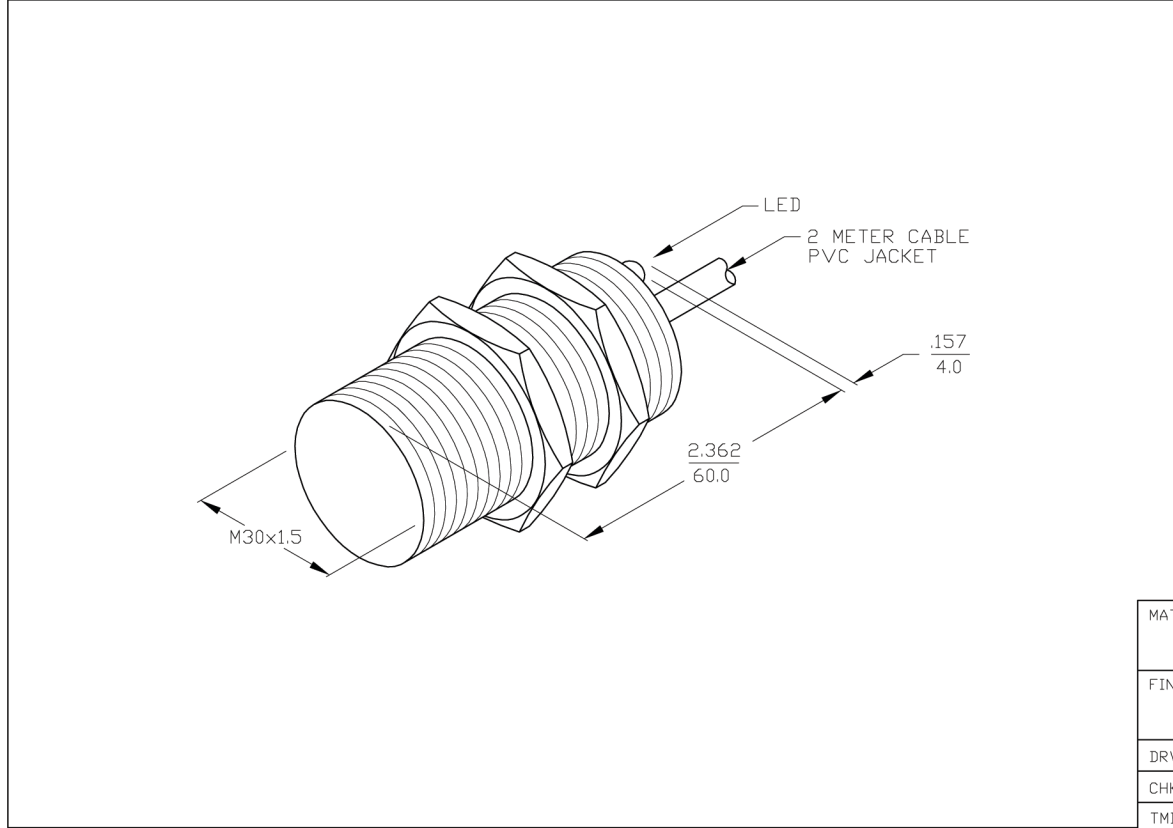
Housing Style	Part Number	ID Number	Features	Sensing Range (mm)	Output	
<b>30 mm - Embeddable, Potted-In Cable</b> 	Bi10-G30K-AD4X	T4670695	Short Barrel	10	2-Wire DC	
	Bi10-G30K-AN6X	T4671600	Short Barrel	10	3-Wire DC NPN	
	Bi10-G30K-AP6X	T4670600	Short Barrel	10	3-Wire DC PNP	
	Bi15-G30K-AP6X	T4207300	Short Barrel	15		
	Bi10-G30-Y0	T1006200	Short Barrel	10	2-Wire DC NAMUR	
	Bi10-G30-Y0X	T4020000	Short Barrel	10		
Bi10-G30-Y0X/S90	T4617691		10			
<b>30 mm - Embeddable, Potted-In Cable</b> 	Bi10-G30-AN6X	T4647500		10	3-Wire DC NPN	
	Bi10-G30-AN7X	T1714800		10		
	Bi10-G30-AP6X	T4647400			10	3-Wire DC PNP
	Bi10-EG30-ADZ30X2	T4256095			10	2-Wire AC/DC Short-Circuit Protection
	Bi10-G30-ADZ30X2	T4207000			10	
	Bi15-G30-ADZ30X2	T4207200			15	
Bi10-EG30-AZ3X	T4345699			10	2-Wire AC/DC	
Bi10-G30-AZ3X	T4345400			10		
<b>30 mm - Embeddable, Potted-In Cable, Teflon Coated</b> 	Bi10-GT30-ADZ30X2/S34	T4256000	WFI	10	2-Wire AC/DC Short-Circuit Protection	

Voltage	Switching Freq. (Hz)	Operating Current (mA) AC/DC	Operating Temp. (°C)	Protection	Housing	Face	End Cap	Power LED	Output LED	Cable Length/ Cable Mat.	Wiring Diagram #	Wiring Diagrams
10-65 VDC	500	≤100	-25 to +70	IP 67	CPB	PA 12	EPTR	N/A	YE	2M/PVC	1	<b>Diagram 1</b> 
10-30 VDC	500	≤200	-25 to +70	IP 67	CPB	PA 12	EPTR	N/A	YE	2M/PVC	2	
10-30 VDC	500	≤200	-25 to +70	IP 67	CPB	PA 12	EPTR	N/A	YE	2M/PVC	3	<b>Diagram 2</b> 
	500	≤200	-25 to +70	IP 67	CPB	PA 12	EPTR	N/A	YE	2M/PVC	3	
5-30 VDC	200	Remote	-25 to +70	IP 67	CPB	PA 12	EPTR	N/A	N/A	2M/PVC	4	
	200	Remote	-25 to +70	IP 67	CPB	PA 12	EPTR	N/A	YE	2M/PVC	4	
	200	Remote	-25 to +70	IP 67	CPB	EPTR	EPTR	N/A	YE	2M/PUR	4	
10-30 VDC	500	≤200	-25 to +70	IP 67	CPB	PA 12	EPTR	N/A	YE	2M/PVC	2	<b>Diagram 3</b> 
	500	≤200	-25 to +70	IP 67	CPB	PA 12	EPTR	N/A	YE	2M/PVC	2	
10-30 VDC	500	≤200	-25 to +70	IP 67	CPB	PA 12	EPTR	N/A	YE	2M/PVC	3	
20-250 VAC 10-300 VDC	20	≤400/300	-25 to +70	IP 67	SS	PA 12	EPTR	GN	RD	2M/PVC	5	<b>Diagram 4</b> 
	20	≤400/300	-25 to +70	IP 67	CPB	PA 12	EPTR	GN	RD	2M/PVC	5	
	20	≤400/300	-25 to +70	IP 67	CPB	PA 12	EPTR	GN	RD	2M/PVC	5	
20-250 VAC 10-300 VDC	20	≤400/300	-25 to +70	IP 67	SS	PA 12	EPTR	N/A	YE	2M/PVC	5	<b>Diagram 5</b> 
	20	≤400/300	-25 to +70	IP 67	CPB	PA 12	EPTR	N/A	YE	2M/PVC	5	
20-250 VAC 10-300 VDC	20	≤400/300	-25 to +70	IP 67	TC	TC	EPTR	GN	RD	2M/PVC	5	



**SPECIFICATIONS**

OPERATING VOLTAGE	10-30 VDC
RIPPLE	≤10%
DIFFERENTIAL TRAVEL (HYSTERESIS)	3-15% (5% TYPICAL)
VOLTAGE DROP ACROSS CONDUCTING SENSOR	≤1.8 V at 200 mA
OUTPUT FUNCTION	NORMALLY OPEN 3-WIRE DC SELF-CONTAINED
TTL COMPATIBLE	NO
SHORT-CIRCUIT PROTECTED	YES
TRIGGER CURRENT FOR OVERLOAD PROTECTION	≥220 mA
CONTINUOUS LOAD CURRENT	≤200 mA
OFF-STATE (LEAKAGE) CURRENT	<10 μA
NO-LOAD CURRENT	5.5-9.5 mA
TIME DELAY BEFORE AVAILABILITY	≤8 ms
POWER-ON EFFECT PROTECTION	INCORPORATED
REVERSE POLARITY PROTECTION	INCORPORATED
WIRE-BREAK PROTECTION	INCORPORATED
PROTECTION AGAINST TRANSIENTS	2 kV, 1 ms, 1 kΩ
OPERATING TEMPERATURE	-25°C to +70°C (-13°F to +158°F)
ENCLOSURE	MEETS NEMA 1, 3, 4, 6, 13 AND IEC IP67
SHOCK	30 g, 11 ms
VIBRATION	55 Hz, 1 mm AMPLITUDE (IN ALL 3 PLANES)
LED FUNCTION	RED: OUTPUT ENERGIZED
SENSING RANGE	10 mm = .394" (NOMINAL)
SWITCHING FREQUENCY	500 Hz
REPEATABILITY	≤2% of RATED OPERATING DISTANCE
EMBEDDABLE (SHIELDED)	YES



MATERIAL <b>BRASS BARREL</b>		3RD ANGLE PROJECTION		<b>TURCK INC</b>
FINISH COPPER/NICKEL/ CHROME PLATING				
DRWN <b>SMW</b>	DATE <b>3/18/87</b>	PART NO. <b>BI10-G30-AN6X</b>		
CHKD	DATE	SIZE <b>B</b>		REV <b>B</b>
TMI		ID NO. <b>4647500</b>		
DIMENSIONS ARE IN <b>INCHES</b> mm		SCALE <b>NONE</b>	<b>BMPC-D\4647500</b>	SHEET <b>OF</b>

<b>B</b>	SEE REVISION DOCUMENT G30ANAP	<b>GMB</b>	<b>2/20/90</b>	
REV	DESCRIPTION	DRFT	DATE	CHKD
REVISIONS				