

Inductive Sensors

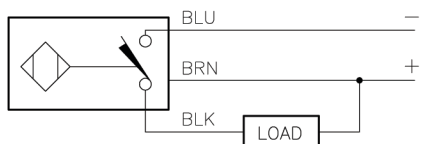


Housing Style	Part Number	ID Number	Features	Sensing Range (mm)	Output
8 mm - Embeddable, Miniature Threaded Barrel, Potted-In Cable 	Bi 2-EG08-AG41X	S4562000		2	2-Wire DC
	Bi 2-EG08-AG41X/S1589	S4562088	weldguard	2	
	Bi 1.5-EG08-AN6X	S4602340		1.5	3-Wire DC NPN
	Bi 1.5U-EG08-AN6X	S4600510	Uprox	1.5	
	Bi 2-EG08-AN6X	S4602140	Ext. Range	2	
	Bi 2-EG08-AN6X/S1589	S4602181	weldguard	2	
	Bi 2U-EG08-AN6X	S4602035	Uprox	2	
	Bi 1.5-EG08-AN7X	S1766110	TTL Compatible	1.5	
	Bi 1.5-EG08-AP6X	S4602240		1.5	3-Wire DC PNP
	Bi 1.5U-EG08-AP6X	S4600500	Uprox	1.5	
	Bi 2-EG08-AP6X	S4602040	Ext. Range	2	
	Bi 2-EG08-AP6X/S100	S4602047	High Temp. 100°C	2	
	Bi 2-EG08-AP6X/S957	S4602008	Flush Mount	2	
	Bi 2-EG08-AP6X/S1589	S4602085	weldguard	2	
	Bi 2-EG08-AP6X/S1610	S4602086-1	armorguard	2	
	Bi 2U-EG08-AP6X	S4602032	Uprox	2	
	Bi 1.5-EG08-Y1	S1003500		1.5	2-Wire DC NAMUR
	Bi 2-EG08-AZ14X	S4100001		2	2-Wire AC/DC
	Bi 2-EG08-VP6X	S1604610	Comp. Outputs	2	4-Wire DC PNP
8 mm - Embeddable, Miniature Threaded Barrel, Potted-In Cable, Teflon Coated 	Bi 2-EGT08-AG41X	S4602540		2	2-Wire DC
	Bi 1.5-EGT08-AP/S100	S4602256	High Temp. 100°C	1.5	3-Wire DC PNP

Voltage	Switching Freq. (Hz)	Operating Current (mA)	Operating Temp. (°C)	Protection	Housing	Face	End Cap	Power LED	Output LED	Cable Length/Cable Mat.	Wiring Diagram #	Wiring Diagrams
10-55 VDC	1000	≤100	-25 to +70	IP 67	SS	PA 12	TROG	N/A	YE	2M/PUR	4	Diagram 1
	1000	≤100	-25 to +70	IP 67	SS	WG	TROG	N/A	YE	2M/PUR	4	
10-30 VDC	3000	≤150	-25 to +70	IP 67	SS	PA 12	TROG	N/A	YE	2M/PUR	1	Diagram 2
	2000	≤150	-30 to +85	IP 68	SS	PA 12	TROG	N/A	YE	2M/PUR	1	
	3000	≤150	-25 to +70	IP 67	SS	PA 12	TROG	N/A	YE	2M/PUR	1	
	3000	≤150	-25 to +70	IP 67	SS	WG	TROG	N/A	YE	2M/PUR	1	
	2000	≤150	-30 to +85	IP 68	SS	PA 12	TROG	N/A	YE	2M/PUR	1	
10-30 VDC	3000	≤150	-25 to +70	IP 67	SS	PA 12	TROG	N/A	YE	2M/PUR	2	Diagram 3
	2000	≤150	-30 to +85	IP 68	SS	PA 12	TROG	N/A	YE	2M/PUR	2	
	3000	≤150	-25 to +70	IP 67	SS	PA 12	TROG	N/A	YE	2M/PUR	2	
	3000	≤150	-25 to +100	IP 67	SS	PA 12	TROG	N/A	YE	2M/PUR	2	
	3000	≤150	-25 to +70	IP 67	SS	PA 12	TROG	N/A	YE	2M/PUR	2	
	3000	≤150	-25 to +70	IP 67	SS	WG	TROG	N/A	YE	2M/PUR	2	
	2000	≤150	-30 to +85	IP 68	SS	PA 12	TROG	N/A	YE	2M/PUR	2	
5-30 VDC	5000	Remote	-25 to +70	IP 67	SS	PA 12	TROG	N/A	N/A	2M/PUR	3	Diagram 4
20-132 VAC 10-140 VDC	20	≤100	-25 to +70	IP 67	SS	PA 12	TROG	N/A	YE	2M/PUR	5	Diagram 5
10-30 VDC	3000	≤150	-25 to +70	IP 67	SS	PA 12	TROG	N/A	YE	2M/PUR	6	Diagram 6
10-55 VDC	1000	≤100	-25 to +70	IP 67	TC	PA 12	TC	N/A	YE	2M/PUR	4	
10-30 VDC	2000	≤150	-25 to +100	IP 67	TC	PA 12	TC	N/A	YE	2M/PUR	2	

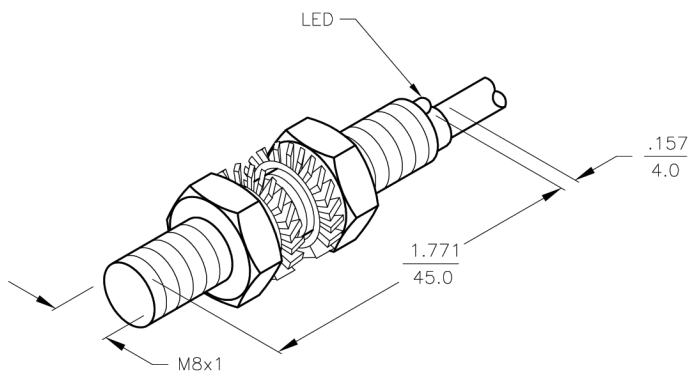
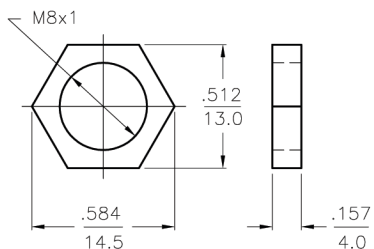
WIRING DIAGRAM

LOCKNUT LN-M8



OUTPUT: AN6X

SHORT-CIRCUIT AND OVERLOAD PROTECTED



SPECIFICATIONS

OPERATING VOLTAGE	10-30 VDC
RIPPLE	≤ 10%
DIFFERENTIAL TRAVEL (HYSTERESIS)	3-15% (5% TYPICAL)
VOLTAGE DROP ACROSS CONDUCTING SENSOR	≤ 1.8 V at 150 mA
OUTPUT FUNCTION	NORMALLY OPEN 3-WIRE DC SELF-CONTAINED
TTL COMPATIBLE	NO
SHORT-CIRCUIT PROTECTED	YES
TRIGGER CURRENT FOR OVERLOAD PROTECTION	≥ 180 mA
CONTINUOUS LOAD CURRENT	≤ 150 mA
OFF-STATE (LEAKAGE) CURRENT	<10 μ A
NO-LOAD CURRENT	8.5-13 mA
TIME DELAY BEFORE AVAILABILITY	≤ 8 ms
POWER-ON EFFECT PROTECTION	INCORPORATED
REVERSE POLARITY PROTECTION	INCORPORATED
WIRE-BREAK PROTECTION	INCORPORATED
PROTECTION AGAINST TRANSIENTS	EN 60947-5-2
OPERATING TEMPERATURE (10% DRIFT)	-25°C to +70°C (-13°F to +158°F)
OPERATING TEMPERATURE	-30°C to +85°C (-13°F to +185°F)
ENCLOSURE	MEETS NEMA 1, 3, 4, 6, 13 AND IEC IP67
SHOCK	30 g, 11 ms
VIBRATION	55 Hz, 1 mm AMPLITUDE (IN ALL 3 PLANES)
LED FUNCTION	YELLOW: OUTPUT ENERGIZED
SENSING RANGE	1.5 mm = .059" (NOMINAL)
SWITCHING FREQUENCY	2000 Hz
REPEATABILITY	≤ 2% of NOMINAL SENSING RANGE
EMBEDDABLE (SHIELDED)	YES

1. ALL DIMENSIONS ARE REFERENCE ONLY.

RELATED DOCUMENTS 1. 2. 3. 4.	3RD ANGLE PROJECTION 	THIS DRAWING IS PROPERTY OF TURCK INC. USE OF THIS DOCUMENT WITHOUT WRITTEN PERMISSION IS PROHIBITED.		TURCK INC High Technology Sensors and Automation Controls	
	MATERIAL STAINLESS STEEL	TOLERANCES UNLESS OTHERWISE SPECIFIED .X ±0.02 .XX ±0.01 .XXX ±0.005 ANGLES ±1° ALL MILLIMETER DIMENSIONS ARE REFERENCE ONLY	DRFT JBJ DATE 3/18/97	DESCRIPTION Bi 1.5U-EG08-AN6X	REV A
FINISH	UNIT OF MEASUREMENT INCH [MILLIMETER]	DSGN	SCALE NONE	IDENTIFICATION NO. S4600510	FILE: S4600510
A DRAWING RELEASE	BY JBJ	DATE 3/18/97	ECO NO.	DO NOT SCALE THIS DRAWING	SHEET 1 OF 1