

Inductive Sensors



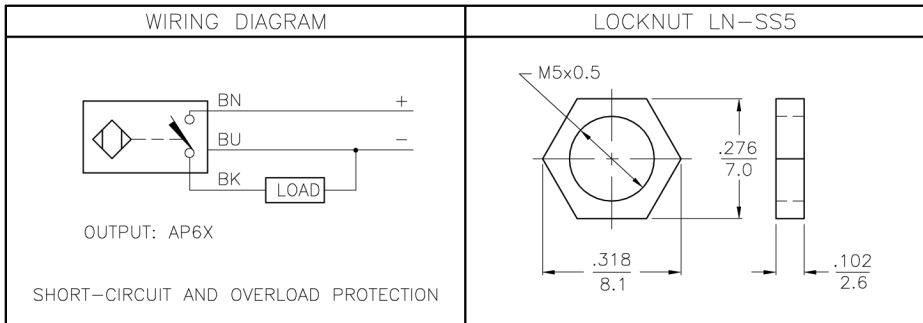
Housing Style	Part Number	ID Number	Features	Sensing Range (mm)	Output
3 mm - Embeddable, Miniature Smooth Barrel, Potted-In Cable 	Bi 1-EH03-AN7X*	M1619323	TTL Compatible	1	3-Wire DC NPN
	Bi 1-EH03-AP7X*	M1619322	TTL Compatible	1	3-Wire DC PNP
4 mm - Embeddable, Miniature Smooth Barrel, Potted-In Cable 	Bi 1-EH04-AN6X	S4609640		1	3-Wire DC NPN
	Bi 1-EH04-AP6X	S4609540		1	3-Wire DC PNP
	Bi 1-EH04-Y1	S1003040		1	2-Wire DC NAMUR
5 mm - Embeddable, Miniature Threaded Barrel, Potted-In Cable 	Bi 1-EG05-AN6X	S4609840		1	3-Wire DC NPN
	Bi 1-EG05-AP6X	S4609740		1	3-Wire DC PNP
	Bi 1-EG05-Y1	S1003240		1	2-Wire DC NAMUR

* Flush mountable only in non-ferrous metals.

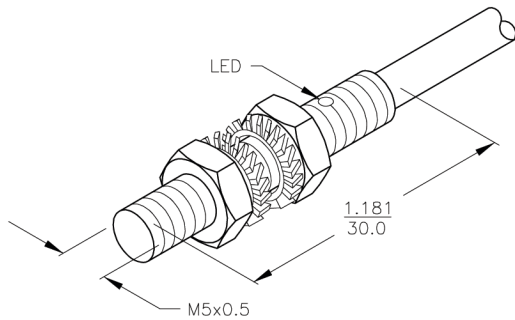


Voltage	Switching Freq. (Hz)	Operating Current (mA)	Operating Temp. (°C)	Protection	Housing	Face	End Cap	Power LED	Output LED	Cable Length/ Cable Mat.	Wiring Diagram #	Wiring Diagrams
10-30 VDC	5000	≤100	-25 to +70	IP 67	SS	PA 12	TROG	N/A	YE	2M/PUR	1	<p>Diagram 1</p>
10-30 VDC	5000	≤100	-25 to +70	IP 67	SS	PA 12	TROG	N/A	YE	2M/PUR	2	<p>Diagram 2</p>
10-30 VDC	3000	≤100	-25 to +70	IP 67	SS	PA 12	TROG	N/A	YE	2M/PUR	1	<p>Diagram 3</p>
10-30 VDC	3000	≤100	-25 to +70	IP 67	SS	PA 12	TROG	N/A	YE	2M/PUR	2	
5-30 VDC	5000	Remote	-25 to +70	IP 67	SS	PA 12	TROG	N/A	N/A	2M/PVC	3	
10-30 VDC	3000	≤100	-25 to +70	IP 67	SS	PA 12	TROG	N/A	YE	2M/PUR	1	
10-30 VDC	3000	≤100	-25 to +70	IP 67	SS	PA 12	TROG	N/A	YE	2M/PUR	2	
5-30 VDC	5000	Remote	-25 to +70	IP 67	SS	PA 12	TROG	N/A	N/A	2M/PVC	3	





SPECIFICATIONS	
OPERATING VOLTAGE	10-30 VDC
RIPPLE	≤ 10%
DIFFERENTIAL TRAVEL (HYSTERESIS)	3-15% (5% TYPICAL)
VOLTAGE DROP ACROSS CONDUCTING SENSOR	≤ 1.8 V at 150 mA
OUTPUT FUNCTION	NORMALLY OPEN 3-WIRE DC SELF-CONTAINED
TRIGGER CURRENT FOR OVERLOAD PROTECTION	≥ 170 mA
CONTINUOUS LOAD CURRENT	≤ 150 mA
OFF-STATE (LEAKAGE) CURRENT	< 100 uA
NO-LOAD CURRENT	≤ 1.0-9.5 mA
TIME DELAY BEFORE AVAILABILITY	≤ 8 ms
POWER-ON EFFECT PROTECTION	Per IEC 947-5-2
REVERSE POLARITY PROTECTION	INCORPORATED
WIRE-BREAK PROTECTION	INCORPORATED
PROTECTION AGAINST TRANSIENTS	INCORPORATED
OPERATING TEMPERATURE	-25°C to +70°C (-13°F to +158°F)
ENCLOSURE	MEETS NEMA 1, 3, 4, 6, 13 AND IEC IP67
SHOCK	30 g, 11 ms
VIBRATION	55 Hz, 1 mm AMPLITUDE (IN ALL 3 PLANES)
LED FUNCTION	ON: OUTPUT ENERGIZED
RATED OPERATING DISTANCE(S _n)	1.0 mm = .039" (NOMINAL)
SWITCHING FREQUENCY	3000 Hz
REPEATABILITY	≤ 2% of RATED OPERATING DISTANCE
EMBEDDABLE (SHIELDED)	YES



**NOTE
PRELIMINARY
SPECIFICATIONS**

RELATED DOCUMENTS		3RD ANGLE PROJECTION		THIS DOCUMENT IS PROPERTY OF TURCK INC. USE OF THIS DOCUMENT WITHOUT WRITTEN PERMISSION IS PROHIBITED.		TURCK INC <i>High Technology Sensors and Automation Controls</i>	
1. 2. 3. 4.				DRFT IK		DATE 01/27/00	
MATERIAL STAINLESS STEEL				TOLERANCES UNLESS OTHERWISE SPECIFIED		DESCRIPTION Bi 1-EG05-AP6X	
FINISH		.X ±0.02 .XX ±0.01 .XXX ±0.005 ANGLES ±1° ALL MILLIMETER DIMENSIONS ARE REFERENCE ONLY		DSGN		SCALE 1=.8	
P1		IK		UNIT OF MEASUREMENT INCH [MILLIMETER]		IDENTIFICATION NO. S4609740	
REV		DESCRIPTION		BY		DATE	
ECO NO.		DATE		DO NOT SCALE THIS DRAWING		FILE: S4609740	
		ECO NO.		SHEET 1 OF 1		REV P1	