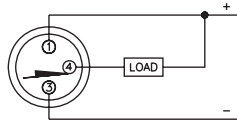
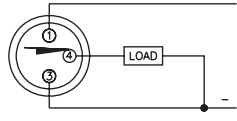
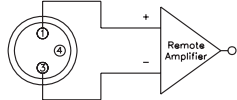


# Inductive Sensors

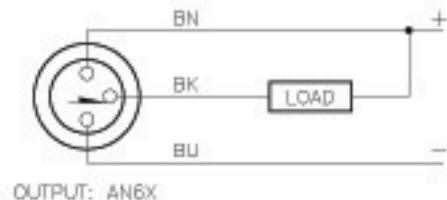


Housing Style	Part Number	ID Number	Features	Sensing Range (mm)	Output
<b>4 mm - Embeddable, Miniature Smooth, picofast® Quick Disconnect</b> 	Bi 1-EH04-AN6X-V1331	S4608540		1	3-Wire DC NPN
	Bi 1-EH04-AP6X-V1331	S4608440		1	3-Wire DC PNP
	Bi 1-EH04-Y1-V1330	S1003044		1	2-Wire DC NAMUR
<b>5 mm - Embeddable, Miniature Threaded, picofast Quick Disconnect</b> 	Bi 1-EG05-AN6X-V1331	S4608740		1	3-Wire DC NPN
	Bi 1-EG05-AP6X-V1331	S4608640		1	3-Wire DC PNP
	Bi 1-EG05-Y1-V1331	S1003241		1	2-Wire DC NAMUR
<b>6.5 mm - Embeddable, Miniature Smooth, picofast Quick Disconnect</b> 	Bi 1.5-EH6.5K-AN6X-V1131	S4610840	Short Barrel	1.5	3-Wire DC NPN
	Bi 2-EH6.5K-AN6X-V1131	S4610120	Short Barrel	2	
	Bi 1.5-EH6.5K-AP6X-V1131	S4610740	Short Barrel	1.5	3-Wire DC PNP
	Bi 1.5-EH6.5K-AP6X-V1131/S100	S4612003	High Temp. 100°C	1.5	
	Bi 2-EH6.5K-AP6X-V1131	S4610020	Short Barrel	2	
<b>6.5 mm - Embeddable, Miniature Smooth, picofast Quick Disconnect</b> 	Bi 1.5-EH6.5-AN6X-V1131	S4612120		1.5	3-Wire DC NPN
	Bi 1.5U-EH6.5-AN6X-V1131	S4600687	Uprox	1.5	
	Bi 2-EH6.5-AN6X-V1131	S4612320		2	
	Bi 2U-EH6.5-AN6X-V1131	S4281180	Uprox	2	
	Bi 1.5-EH6.5-AP6X-V1131	S4612020		1.5	3-Wire DC PNP
	Bi 2-EH6.5-AP6X-V1131	S4612220		2	
	Bi 2U-EH6.5-AP6X-V1131	S4281160	Uprox	2	
	Bi 1.5-EH6.5-AP6X-V1131/S100	S4612002	High Temp. 100°C	1.5	
	Bi 1.5-EH6.5-Y1-V1130	S1004621		1.5	2-Wire DC NAMUR

Voltage	Switching Freq. (Hz)	Operating Current (mA)	Operating Temp. (°C)	Protection	Housing	Face	Power LED	Output LED	Mating Cordset	Wiring Diagram #	Wiring Diagrams
10-30 VDC	3000	≤100	-25 to +70	IP 67	SS	PA 12	N/A	YE	PKG 3Z-*	1	<div style="border: 1px solid black; padding: 5px;"> <p><b>Diagram 1</b></p>  </div> <div style="border: 1px solid black; padding: 5px; margin-top: 10px;"> <p><b>Diagram 2</b></p>  </div> <div style="border: 1px solid black; padding: 5px; margin-top: 10px;"> <p><b>Diagram 3</b></p>  </div>
10-30 VDC	3000	≤100	-25 to +70	IP 67	SS	PA 12	N/A	YE	PKG 3Z-*	2	
5-30 VDC	5000	Remote	-25 to +70	IP 67	SS	PA 12	N/A	N/A	PKG 3Z-*	3	
10-30 VDC	3000	≤100	-25 to +70	IP 67	SS	PA 12	N/A	YE	PKG 3Z-*	1	
10-30 VDC	3000	≤100	-25 to +70	IP 67	SS	PA 12	N/A	YE	PKG 3Z-*	2	
5-30 VDC	5000	Remote	-25 to +70	IP 67	SS	PA 12	N/A	N/A	PKG 3Z-*	3	
10-30 VDC	3000	≤150	-25 to +70	IP 67	SS	PA 12	N/A	YE	PKG 3Z-*	1	
	3000	≤150	-25 to +70	IP 67	SS	PA 12	N/A	YE	PKG 3Z-*	1	
10-30 VDC	3000	≤150	-25 to +70	IP 67	SS	PA 12	N/A	YE	PKG 3Z-*	2	
	3000	≤150	-25 to +100	IP 67	SS	PA 12	N/A	YE	PKG 3Z-*	2	
	3000	≤150	-25 to +70	IP 67	SS	PA 12	N/A	YE	PKG 3Z-*	2	
10-30 VDC	3000	≤150	-25 to +70	IP 67	SS	PA 12	N/A	YE	PKG 3Z-*	1	
	2000	≤150	-30 to +85	IP 68	SS	PA 12	N/A	YE	PKG 3Z-*	1	
	3000	≤150	-25 to +70	IP 67	SS	PA 12	N/A	YE	PKG 3Z-*	1	
	2000	≤150	-30 to +85	IP 68	SS	PA 12	N/A	YE	PKG 3Z-*	1	
10-30 VDC	3000	≤150	-25 to +70	IP 67	SS	PA 12	N/A	YE	PKG 3Z-*	2	
	3000	≤150	-25 to +70	IP 67	SS	PA 12	N/A	YE	PKG 3Z-*	2	
	2000	≤150	-30 to +85	IP 68	SS	PA 12	N/A	YE	PKG 3Z-*	2	
	3000	≤150	-25 to +100	IP 67	SS	EPTR	N/A	YE	PKG 3Z-*	2	
5-30 VDC	5000	Remote	-25 to +70	IP 67	SS	PA 12	N/A	N/A	PKG 3Z-*	3	

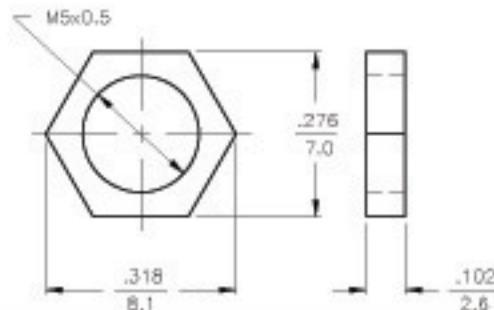
\* Length in meters.

## WIRING DIAGRAM



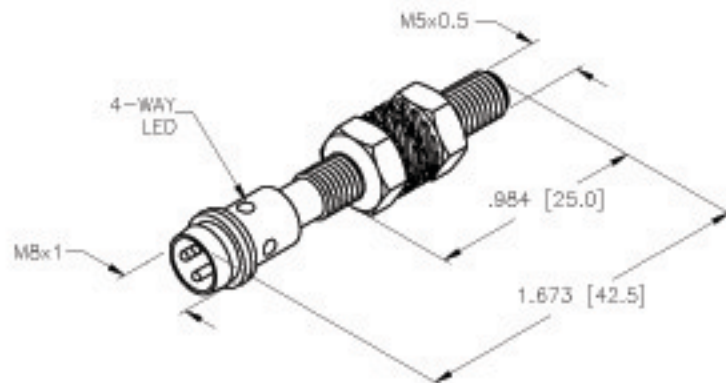
SHORT-CIRCUIT AND OVERLOAD PROTECTED

## LOCKNUT LN-555



## SPECIFICATIONS

OPERATING VOLTAGE	10-30 VDC
RIPPLE	≤10%
DIFFERENTIAL TRAVEL (HYSTERESIS)	1-15% (5% TYPICAL)
VOLTAGE DROP ACROSS CONDUCTING SENSOR	≤1.8 V at 100 mA
OUTPUT FUNCTION	NORMALLY OPEN 3-WIRE DC SELF-CONTAINED
TRIGGER CURRENT FOR OVERLOAD PROTECTION	≥120 mA
CONTINUOUS LOAD CURRENT	≤100 mA
OFF-STATE (LEAKAGE) CURRENT	<100 μA
NO-LOAD CURRENT	≥10 mA
TIME DELAY BEFORE AVAILABILITY	≤8 ms
POWER-ON EFFECT PROTECTION	PER IEC 947-5-2
REVERSE POLARITY PROTECTION	INCORPORATED
WIRE-BREAK PROTECTION	INCORPORATED
PROTECTION AGAINST TRANSIENTS	PER EN 60947-5-2
OPERATING TEMPERATURE	-25°C to +70°C (-13°F to +158°F)
ENCLOSURE	MEETS NEMA 1, 3, 4, 13 AND IEC IP67
SHOCK	30 g, 11 ms
VIBRATION	55 Hz, 1 mm AMPLITUDE (IN ALL 3 PLANES)
LED FUNCTION	ON: OUTPUT ENERGIZED
RATED OPERATING DISTANCE(S <sub>n</sub> )	1.0 mm = .040" (NOMINAL)
SWITCHING FREQUENCY	3000 Hz
REPEATABILITY	≤2% of RATED OPERATING DISTANCE
EMBEDDABLE (SHIELDED)	YES



SOURCE DRAWING - FOR REFERENCE ONLY

## NOTES:

- MATERIALS:  
BARREL - STAINLESS STEEL  
LOCKNUTS - STAINLESS STEEL  
LOCKWASHERS - STAINLESS STEEL  
SENSING FACE - PA12 - GF30 PLASTIC
- ALL DIMENSIONAL TOLERANCES ±10mm

RELATED DOCUMENTS 1. 2. 3. 4.	3RD ANGLE PROJECTION 	THIS DRAWING IS PROPERTY OF TURCK INC. USE OF THIS DOCUMENT WITHOUT WRITTEN PERMISSION IS PROHIBITED.		<b>TURCK INC</b> High Technology Sensors and Automation Controls	
	MATERIAL CONNECTOR: BRASS BARREL: STAIN, STEEL	TOLERANCES UNLESS OTHERWISE SPECIFIED .X ±0.02 .XX ±0.01 .XXX ±0.005 ANGLES ±1° ALL MILLIMETER DIMENSIONS ARE REFERENCE ONLY	DRFT CBM	DATE 08/20/99	DESCRIPTION Bi 1-EG05-AN6X-V1331
FINISH		USDR	SCALE NONE	IDENTIFICATION NO. S4608740	
		UNIT OF MEASUREMENT <b>INCH [ MILLIMETER ]</b>		REV B	
B UPDATE SPECS	CBM 08/06/03	T0546	DO NOT SCALE THIS DRAWING		FILE: S4608740
REV DESCRIPTION	BY DATE	EDD NO.	SHEET 1 OF 1		