

# TURCK

## Level Sensors - Capacitive

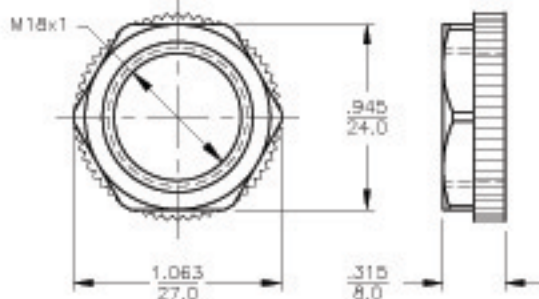


Housing Style	Part Number	ID Number	Features	Embeddable Range (mm)	Nonembed. Range (mm)	Output
18 mm - Embeddable, Potted-In cable 	BCF 5-S18-AP4X	M2503011	Noise Immune	5	7.5	3-Wire DC PNP
	BCF 5-S18-AP4X/S90	M2503014	Noise Immune	5	7.5	
	BCF 5-S18-AN4X	M2503012	Noise Immune	5	7.5	3-Wire DC NPN
	BCF 5-S18-RN4X	M2503008	Noise Immune	5	7.5	
18 mm - Embeddable, eurofast® Connector 	BCF 5-S18-AN4X-0.2M-RS 4T	M2503089	Noise Immune	5	7.5	3-Wire DC NPN
	BCF 5-S18-AP4X-0.2M-RS 4T	M2503099	Noise Immune	5	7.5	3-Wire DC PNP
30 mm - Embeddable, eurofast Connector 	BCF10-S30-VN4X-H1141	M2506016	Noise Immune	10	15	4-Wire DC NPN
	BCF10-S30-VP4X-H1141	M2506117	Noise Immune	10	15	4-Wire DC PNP
30 mm - Embeddable, microfast® Connector 	BCF10-S30-AZ3X-B3131	M2506012	Noise Immune	10	15	2-Wire AC

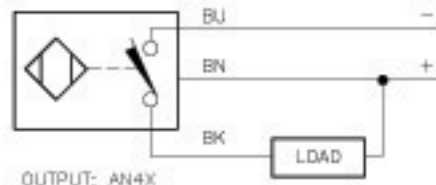
Voltage	Switching Freq. (Hz)	Switching Current (mA)	Operating Temp. (°C)	Protection Class	Housing	End Cap	Power LED	Output LED	Mating Cord, Cable Lengths/Jacket	Wiring Diagram #	Wiring Diagrams
10-65 VDC	100	≤200	-25 to +70	IP 67	PA 12	PUR	N/A	YE	2M/PVC	1	<p>Diagram 1</p>
	100	≤200	-25 to +70	IP 67	PA 12	PUR	N/A	YE	2M/PUR	1	
10-65 VDC	100	≤200	-25 to +70	IP 67	PA 12	PUR	N/A	YE	2M/PVC	2	<p>Diagram 2</p>
	100	≤200	-25 to +70	IP 67	PA 12	PUK	N/A	YE	2M/PVC	2	
10-65 VDC	100	≤200	-25 to +70	IP 67	PA 12	PUR	GN	YE	RK 4T-*	3	<p>Diagram 3</p>
10-65 VDC	100	≤200	-25 to +70	IP 67	PA 12	PUR	GN	YE	RK 4T-*	4	<p>Diagram 4</p>
10-65 VDC	100	≤200	-25 to +70	IP 67	PA 12	PA 66	N/A	YE	RK 4.4T-*	5	<p>Diagram 5</p>
10-65 VDC	100	≤200	-25 to +70	IP 67	PA 12	PA 66	N/A	YE	RK 4.4T-*	6	<p>Diagram 6</p>
20-250 VAC	20	≤500	-25 to +70	IP 67	PA 12	PA 66	N/A	YE	KB 3T-*	7	<p>Diagram 7</p>

\* Length in meters.

LOCKNUT LN-P18



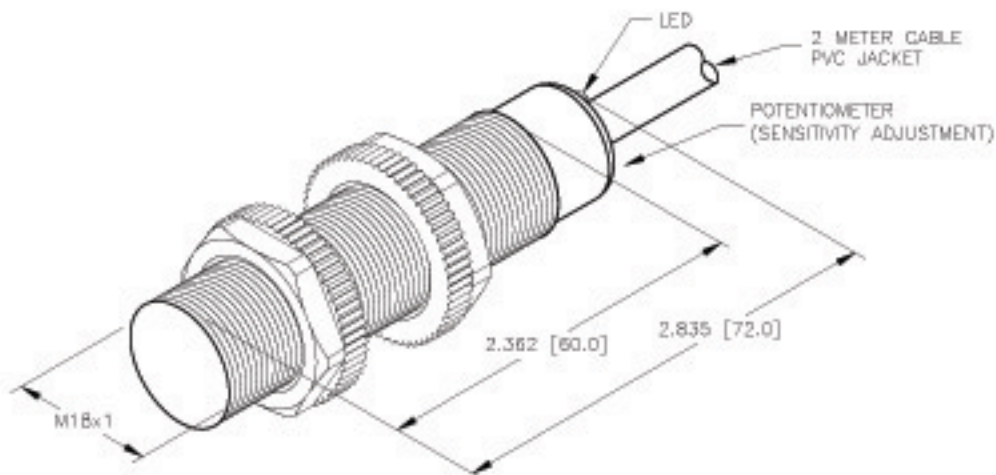
WIRING DIAGRAM



SHORT-CIRCUIT AND OVERLOAD PROTECTED

SPECIFICATIONS

OPERATING VOLTAGE	10-65 VDC
RIPPLE	≤10%
DIFFERENTIAL (TRAVEL) HYSTERESIS	2-20% (5% TYPICAL)
VOLTAGE DROP ACROSS CONDUCTING SENSOR	≤1.8 V at 200 mA
OUTPUT FUNCTION	POSSIBLY OPEN 1 WIRE DC SELF-SENSING
TTL COMPATIBLE	NO
SHORT-CIRCUIT PROTECTED	YES
TRIGGER CURRENT FOR OVERLOAD PROTECTION	≥220 mA
CONTINUOUS LOAD CURRENT	≤200 mA
OFF-STATE (LEAKAGE) CURRENT	<100 μA
NO-LOAD CURRENT	≤12.0 mA
TIME DELAY BEFORE AVAILABILITY	≤25 ms
POWER-ON EFFECT PROTECTION	Per IEC 947-5-2
POLARITY INVERSION PROTECTION	INCORPORATED
WIRE-BREAK PROTECTION	INCORPORATED
OPERATING TEMPERATURE	-25°C to +70°C (-13°F to +158°F)
ENCLOSURE	MEETS NEMA 1,3,4,6,13 AND IEC IP67
SHOCK	30 g, 11 ms
VIBRATION	55 Hz, 1 mm AMPLITUDE (3 PLANES)
LED ON	OUTPUT ENERGIZED
SENSING RANGE	5 mm = .197" (NOMINAL)
SWITCHING FREQUENCY	100 Hz
REPEATABILITY	≤2% OF RATED OPERATING DISTANCE
IMMUNITY TO ESD	8 kV DIRECT/ 3D kV AIRBORNE
IMMUNITY TO RFI	15 V/M, 80-1000 MHz
IMMUNITY TO ELECTRICAL FAST TRANSIENTS	3000 V
IMMUNITY TO LINE COUPLED NOISE	>10V, 150 KHz-230 MHz
IMMUNITY TO SURGES	1 kV, 500 Ω DC



RELATED DOCUMENTS 1. 2. 3. 4.	3RD ANGLE PROJECTION 	THIS DRAWING IS PROPERTY OF TURCK INC. USE OF THIS DOCUMENT WITHOUT WRITTEN PERMISSION IS PROHIBITED.		<b>TURCK INC</b> High Technology Sensors and Automation Controls	
	MATERIAL PA 12-GF3D PLASTIC	TOLERANCES UNLESS OTHERWISE SPECIFIED .X ±0.02 .XX ±0.01 .XXX ±0.005 ANGLES ±1° ALL MILLIMETER DIMENSIONS ARE REFERENCE ONLY	CRAFT RDS DATE 06/22/02	DESCRIPTION BCF 5-S18-AN4X	IDENTIFICATION NO. M2503012
FINISH	UNIT OF MEASUREMENT <b>INCH [ MILLIMETER ]</b>	SCALE NONE	REV B	FILE: M2503012	
REV B UPDATE SPECS, OUTPUT FUNCTION BY JBJ DATE 02/10/03 EDD NO. 10145	DO NOT SCALE THIS DRAWING		SHEET 1 OF 1		