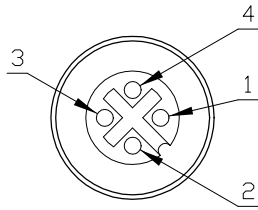
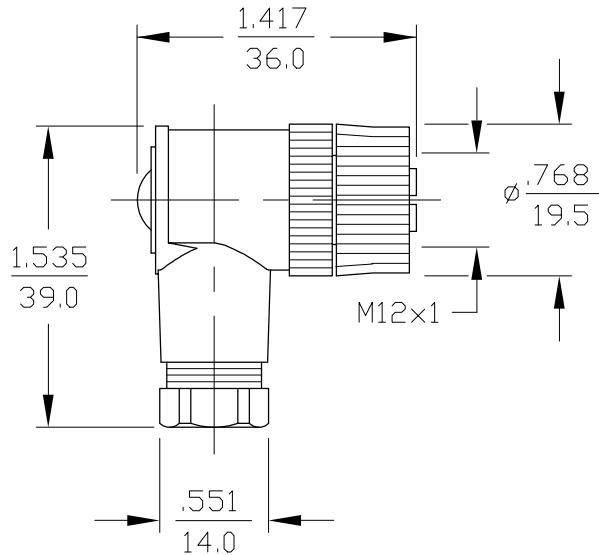


FEMALE PIN-OUT - END VIEW



SPECIFICATIONS

| | |
|-------------------------------|------------------------------------|
| HOUSING MATERIAL/PLATING | PA/BLACK |
| CONTACT MATERIAL/PLATING | NICKEL PLATED BRASS |
| COUPLING NUT MATERIAL/PLATING | PBT |
| RATED CURRENT [A] | 3.0 A |
| RATED VOLTAGE [V] | 125 V |
| MAXIMUM WIRE SIZE | 18 AWG |
| CABLE GRIP RANGE | 4-8 mm |
| TEMPERATURE RATING | -40°C to +85°C (-40°F to +185°F) |
| PROTECTION CLASS | MEETS NEMA 1,3,4,6,13 AND IEC IP67 |
| SPACINGS [VDE 0110 b] | 125 VAC/150 VDC, Gr. C |



| | | | | | |
|-----------|-----|----------------------|---------|---|--------|
| MATERIAL | | 3RD ANGLE PROJECTION | | TURCK INC 3000 CAMPUS DRIVE MINNEAPOLIS, MN 55441 PHONE: (763) 553-7300 | |
| FINISH | | | | | |
| DRFT | JMS | DATE | 10/9/95 | PART NO./DESCR. | |
| DSGN | | Y# | | B-8241-0 | |
| REVISIONS | | DIMENSION UNITS: | | SIZE | ID NO. |
| | | INCHES | | A | U6555 |
| | | [MILLIMETERS] | | SCALE | NONE |
| | | | | EUR\FW\U6555 | |
| | | | | SHEET | OF |

| | | | | |
|-----|-----------------------------|------|---------|---------|
| A | SEE REVISION DOCUMENT U6555 | JMS | 10/9/95 | T1416 |
| REV | DESCRIPTION | DRFT | DATE | ECO NO. |