

# Push Buttons and Operator Interface

## XVP 50 mm Illuminated Indicating Banks

### Accessories



DL1BEJ



DL1BDB1



XVPC12



XVPC02



XVPC03T  
(With Base and Lenses)

### LEDs

Description	Voltage	Color	Catalog Number	
Steady-On LEDs <b>Protected LED</b>	24 Vac/dc	White Green Red Blue Yellow/Amber	DL1BDB1 DL1BDB3 DL1BDB4 DL1BDB6 DL1BDB8	
	120 Vac	White Green Red Blue Yellow/Amber	DL1BDG1 DL1BDG3 DL1BDG4 DL1BDG6 DL1BDG8	
	230 Vac	White Green Red Blue Yellow/Amber	DL1BDM1 DL1BDM3 DL1BDM4 DL1BDM6 DL1BDM8	
Flashing LEDs <b>Protected LED</b>	24 Vac/dc	White Green Red Blue Yellow/Amber	DL1BKB1 DL1BKB3 DL1BKB4 DL1BKB6 DL1BKB8	
	120 Vac	White Green Red Blue Yellow/Amber	DL1BKG1 DL1BKG3 DL1BKG4 DL1BKG6 DL1BKG8	
	230 Vac	White Green Red Blue Yellow/Amber	DL1BKM1 DL1BKM3 DL1BKM4 DL1BKM6 DL1BKM8	

### Incandescent Bulbs

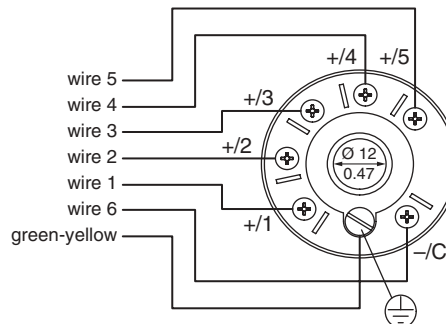
Description	Voltage	Catalog Number	
Bayonet type BA 15d, 7 W	12 Vac/dc	DL1BEJ	
	24 Vac/dc	DL1BEB	
	48 Vac/dc	DL1BEE	
	120 Vac/dc	DL1BEG	
	230 Vac/dc	DL1BEM	

### Accessories

Description	Color	Characteristics		Catalog Number	
		IN	mm		
Threaded tube with bracket	Silver	4	100	XVPC02T	
		10	250	XVPC03T	
		16	400	XVPC04T	
Tube with tulip base	Black	4	100	XVPC02	
		10	250	XVPC03	
		16	400	XVPC04	
	Off-white	4	100	XVPC02W	
		10	250	XVPC03W	
		16	400	XVPC04W	
Wall mounting bracket	Black	...	...	XVPC12	
	Off-white	...	...	XVPC12W	
Bulb mounting and removal tool	...	...	...	XVPCX13	

### Wiring Diagram

Cable Connections, Supply line maximum: 1.5 mm<sup>2</sup> (#16 AWG)



For additional information, reference Catalog #9001CT0001.