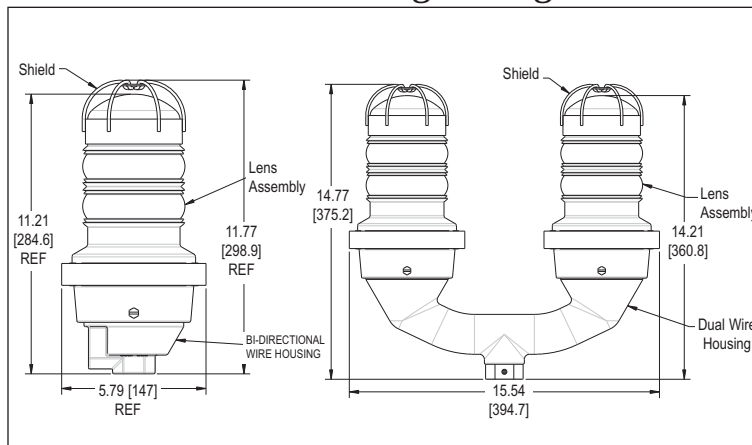


US Patent # 6,425,678

SafeSite® 860 Series LED Steady Burn Visual Signal Lights



Dimensions in Inches [mm]

Certifications & Ratings:

- ▷ Class I, Div 2, Groups A, B, C, D hazardous environments T4 rated
- ▷ ATEX certified, equipment group II (surface industries), category 3 (Zone 2), T4 rated
- ▷ IP65 / IP66 / NEMA 4X rated
- ▷ ETL Listed in compliance with UL1598 and UL844 for use in Class I, Div 2 hazardous locations

Features & Benefits:

- ▷ Uses 90% less energy than an incandescent
- ▷ Weather/corrosion resistant lamp assembly and housing
- ▷ Resistant to shock and vibration
- ▷ Available as a single or dual unit
- ▷ Unique optically designed lens to enhance LED operation and provide 360° visibility
- ▷ 5 year warranty

Order Codes:

Class I, Div 2 - Single Units		Class I, Div 2 - Dual Units	
860-2R01-001	Class I, Div 2 Red 120 VAC	860-2R01-002	Class I, Div 2 Red 120 VAC
860-2W01-001	Class I, Div 2 White 120 VAC	860-2W01-002	Class I, Div 2 White 120 VAC
860-2G01-001	Class I, Div 2 Green 120 VAC	860-2G01-002	Class I, Div 2 Green 120 VAC
860-2Y01-001	Class I, Div 2 Yellow 120 VAC	860-2Y01-002	Class I, Div 2 Yellow 120 VAC
860-2B01-001	Class I, Div 2 Blue 120 VAC	860-2B01-002	Class I, Div 2 Blue 120 VAC
860-2R02-001	Class I, Div 2 Red 230 VAC	860-2R02-002	Class I, Div 2 Red 230 VAC
860-2W02-001	Class I, Div 2 White 230 VAC	860-2W02-002	Class I, Div 2 White 230 VAC
860-2G02-001	Class I, Div 2 Green 230 VAC	860-2G02-002	Class I, Div 2 Green 230 VAC
860-2Y02-001	Class I, Div 2 Yellow 230 VAC	860-2Y02-002	Class I, Div 2 Yellow 230 VAC
860-2B02-001	Class I, Div 2 Blue 230 VAC	860-2B02-002	Class I, Div 2 Blue 230 VAC

ATEX versions available - consult factory

Application:

Dialight's steady burn LED Based Class I, Division 2 Visual Signals are used in a wide range of industries for visual indication in hazardous environments. Versions of this fixture are available in 120VAC or 230VAC.

Mechanical Information:

Single Units:

Container Dimensions: 16" X 9" X 8"
406mm x 229mm x 203mm

Container Weight: 7.14 lbs (3.24 kg)

Mounting: Threaded 1" NPT and 3/4" NPT bottom hub for mounting

Dual Units:

Container Dimensions: 22" X 17" X 9"
559mm x 432mm x 229mm

Container Weight: 16.06 lbs (7.28 kg)

Mounting: Threaded 1" NPT and 3/4" NPT bottom hub for mounting

Electrical specifications: (Per Light):

Volt Amps: 44 VA (120 VAC Units)
67 VA (230 VAC Units)

Input Power: 14.5 W (120 VAC Units)
16.0 W (230 VAC Units)

Operating Temp: -40°F to +133°F (-40°C to +55°C)

Material:

Housing: Cast aluminum

Lens: Glass

Accessories (Hardware): Stainless steel