






Low Profile

Part# PRX+	7100	7200	7300	8200	8300	8500	8800
CONTACT FORM	FORM A	FORM C	FORM B	FORM A	FORM C	FORM A	FORM B
	SPST-NO	SPDT	SPST-NC	SPST-NO	SPDT	SPST-NO	SPST-NC
SWITCHING RATING							
VOLTS DC MAX	30	30	30	200	100	SEE NOTE 7	100
AMPS DC MAX	0.25	0.10	0.10	0.50	0.25	1.5 AC	0.25
WATTS DC MAX VOLTAGE	3.0	3.0	3.0	10	3.0	360 VA	3.0
HOLDOFF (DC) MIN.	200	200	200	350	200	N/A	200
INITIAL RESISTANCE (OHMS)	.25	.50	.50	.25	.25	NA	.25
OPERATING TEMP RANGE (°C)	-40 +75	-40 +75	-40 +75	-40 +100	40 +100	-40 +75	-40 +100
D-MUST OPERATE (INCH)	.500	.500	.500	.500	.500	.500	.500
D-MUST RELEASE (INCH)	1.000	1.000	1.000	1.000	1.000	1.250	1.000
WIRE COLOR/AWG	GRAY/24	RED-N.C./28 WHT.-N. O./28 BLK.- COM/28	GRAY/24	WHT/22	BLUE-N. C./22 RED-N.O/22 WHT.- COM/22	WHT/22 RED/22	RED/22
ACTUATOR PART NO.	7000ACT	7000ACT	7000ACT	8100ACT	8100ACT	8100ACT	8100ACT

NOTES:

Part Number PRX+8800 Contact Form B Switch Configuration SPST Rev. A

Low-Profile Proximity Sensor

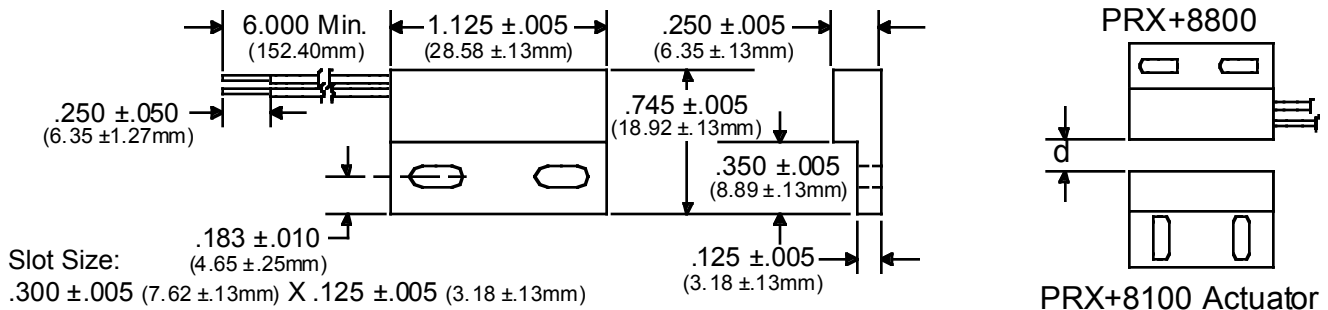
Features	Advantages
<ul style="list-style-type: none"> • Hermetically sealed contacts • Low profile design • Black Valox housing 	<ul style="list-style-type: none"> • Extended operations in extreme environments • Not ESD sensitive • Custom sensitivity and configurations available • Housing material flame rating: UL94

Electrical Specifications

Power		Watts - maximum	3
Voltage	Switching	VDC - maximum	120
	Breakdown	VDC - minimum	400
Current	Switching	Amp - maximum	0.25
	Carry	Amp - maximum	2.6
Resistance	Initial Contact Resistance	Ohm - maximum	0.25
	Insulation Resistance	Ohm - minimum	1 E9
Capacitance	Contact	pF - typical	1.7
Temperature	Operating	°C - maximum	+105
	Storage	°C	-40 to +140

Physical/Operational Specifications

Housing Volume	Excluding Connection	CC - nominal	1.7
External Connection	22 AWG	UL 1015	PVC
Must Operate	Distance (d)	Inches	0.500
Must Release	Distance (d)	Inches	1.000
Operate Time	Including Bounce	mSeconds - maximum	1.00
Release Time	Including Bounce	mSeconds - maximum	.80



- Notes:
- (1) Specifications are not constant across entire magnetic range.
 - (2) Customer must exercise care in handling and mounting to prevent damage to internal components and subsequent changes to sensor performance.
 - (3) For information about performance, custom configuration (i.e. wire length or color; connectors; operational variation), or packaging contact our Sales department.
 - (4) Information contained hereon is for informational purposes only and should not be deemed as accurate for a specific application. Consult factory for specific application information and/or latest revision.