

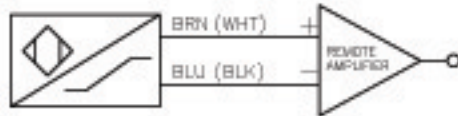
Inductive Sensors



Housing Style	Part Number	ID Number	Features	Sensing Range (mm)	Output
30 mm - Embeddable, Potted-In Cable 	Bi10-G30K-AD4X	T4670695	Short Barrel	10	2-Wire DC
	Bi10-G30K-AN6X	T4671600	Short Barrel	10	3-Wire DC NPN
	Bi10-G30K-AP6X	T4670600	Short Barrel	10	3-Wire DC PNP
	Bi15-G30K-AP6X	T4207300	Short Barrel	15	
	Bi10-G30-Y0	T1006200	Short Barrel	10	2-Wire DC NAMUR
	Bi10-G30-Y0X	T4020000	Short Barrel	10	
Bi10-G30-Y0X/S90	T4617691		10		
30 mm - Embeddable, Potted-In Cable 	Bi10-G30-AN6X	T4647500		10	3-Wire DC NPN
	Bi10-G30-AN7X	T1714800		10	
	Bi10-G30-AP6X	T4647400		10	3-Wire DC PNP
	Bi10-EG30-ADZ30X2	T4256095		10	2-Wire AC/DC Short-Circuit Protection
	Bi10-G30-ADZ30X2	T4207000		10	
	Bi15-G30-ADZ30X2	T4207200		15	
	Bi10-EG30-AZ3X	T4345699		10	2-Wire AC/DC
Bi10-G30-AZ3X	T4345400		10		
30 mm - Embeddable, Potted-In Cable, Teflon Coated 	Bi10-GT30-ADZ30X2/S34	T4256000	WFI	10	2-Wire AC/DC Short-Circuit Protection

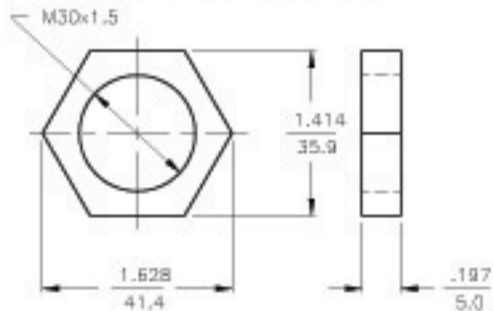
Voltage	Switching Freq. (Hz)	Operating Current (mA) AC/DC	Operating Temp. (°C)	Protection	Housing	Face	End Cap	Power LED	Output LED	Cable Length/ Cable Mat.	Wiring Diagram #	Wiring Diagrams
10-65 VDC	500	≤100	-25 to +70	IP 67	CPB	PA 12	EPTR	N/A	YE	2M/PVC	1	Diagram 1
10-30 VDC	500	≤200	-25 to +70	IP 67	CPB	PA 12	EPTR	N/A	YE	2M/PVC	2	
10-30 VDC	500	≤200	-25 to +70	IP 67	CPB	PA 12	EPTR	N/A	YE	2M/PVC	3	Diagram 2
	500	≤200	-25 to +70	IP 67	CPB	PA 12	EPTR	N/A	YE	2M/PVC	3	
5-30 VDC	200	Remote	-25 to +70	IP 67	CPB	PA 12	EPTR	N/A	N/A	2M/PVC	4	
	200	Remote	-25 to +70	IP 67	CPB	PA 12	EPTR	N/A	YE	2M/PVC	4	
	200	Remote	-25 to +70	IP 67	CPB	EPTR	EPTR	N/A	YE	2M/PUR	4	
10-30 VDC	500	≤200	-25 to +70	IP 67	CPB	PA 12	EPTR	N/A	YE	2M/PVC	2	Diagram 3
	500	≤200	-25 to +70	IP 67	CPB	PA 12	EPTR	N/A	YE	2M/PVC	2	
10-30 VDC	500	≤200	-25 to +70	IP 67	CPB	PA 12	EPTR	N/A	YE	2M/PVC	3	
20-250 VAC 10-300 VDC	20	≤400/300	-25 to +70	IP 67	SS	PA 12	EPTR	GN	RD	2M/PVC	5	Diagram 4
	20	≤400/300	-25 to +70	IP 67	CPB	PA 12	EPTR	GN	RD	2M/PVC	5	
	20	≤400/300	-25 to +70	IP 67	CPB	PA 12	EPTR	GN	RD	2M/PVC	5	
20-250 VAC 10-300 VDC	20	≤400/300	-25 to +70	IP 67	SS	PA 12	EPTR	N/A	YE	2M/PVC	5	Diagram 5
	20	≤400/300	-25 to +70	IP 67	CPB	PA 12	EPTR	N/A	YE	2M/PVC	5	
20-250 VAC 10-300 VDC	20	≤400/300	-25 to +70	IP 67	TC	TC	EPTR	GN	RD	2M/PVC	5	

WIRING DIAGRAM



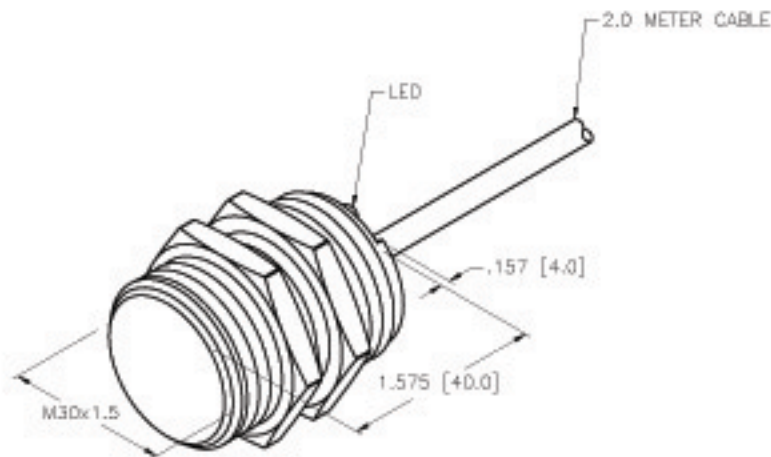
OUTPUT: Y0

LOCKNUT LN-M30



SPECIFICATIONS

RATED OPERATING DISTANCE	10 mm [0.394]
MOUNTING MODE	FLUSH
HYSTERESIS	1-10%
MIN. REPEAT ACCURACY	±2%
TEMPERATURE DRIFT	≤ ±10%
OPERATING TEMPERATURE	-25°C to +70°C (-13°F to +158°F)
OUTPUT FUNCTION	2-WIRE, NAMUR
MAX. SWITCHING FREQUENCY	≤0.5 kHz
OPERATING VOLTAGE	8.2 VDC
NON-ACTUATED CURRENT CONSUMPTION	≥2.1 mA
ACTUATED CURRENT CONSUMPTION	≤1.2 mA
APPROVALS	KEMA 02 ATEX 1090X
INTERNAL INDUCTANCE (L)/CAPACITANCE (C)	150 nF/150 µH
MARKING OF DEVICE	II 2 G EEx Ia IIC T6 (max. U _i = 20 V, I _i = 20 mA, P _i = 200 mW)
HOUSING MATERIAL	BRASS/CHROME-PLATED
ACTIVE FACE MATERIAL	PLASTIC, PA12-GF30
END CAP MATERIAL	PLASTIC, TROGANID-T
CABLE	ø5.2, GREY, LIYY, PVC
VIBRATION RESISTANCE	55 Hz, 1 mm AMPLITUDE (IN ALL 3 PLANES)
SHOCK RESISTANCE	30 g, 11 ms
DEGREE OF PROTECTION	IP 67
SWITCHING STATUS INDICATION	LED; YELLOW



RELATED DOCUMENTS 1. 2. 3. 4.	3RD ANGLE PROJECTION 	THIS DRAWING IS PROPERTY OF TURCK INC. USE OF THIS DOCUMENT WITHOUT WRITTEN PERMISSION IS PROHIBITED.		TURCK INC High Technology Sensors and Automation Controls	
	MATERIAL SEE SPECIFICATIONS	TOLERANCES UNLESS OTHERWISE SPECIFIED .X ±0.02 .XX ±0.01 .XXX ±0.005 ANGLES ±1° ALL MILLIMETER DIMENSIONS ARE REFERENCE ONLY	DRAFT RJP DATE 1/26/93		
FINISH SEE SPECIFICATIONS	UNIT OF MEASUREMENT INCH [MILLIMETER]	SCALE 1 = 1.3	IDENTIFICATION NO. T4020000	REV B	
B UPDATE TO CURRENT TITLE BLOCK RDS 01/21/03 10104	BY DATE EDD NO.	DO NOT SCALE THIS DRAWING	FILE: T4020000	SHEET 1 OF 1	

B	UPDATE TO CURRENT TITLE BLOCK	RDS	01/21/03	10104
REV	DESCRIPTION	BY	DATE	EDD NO.