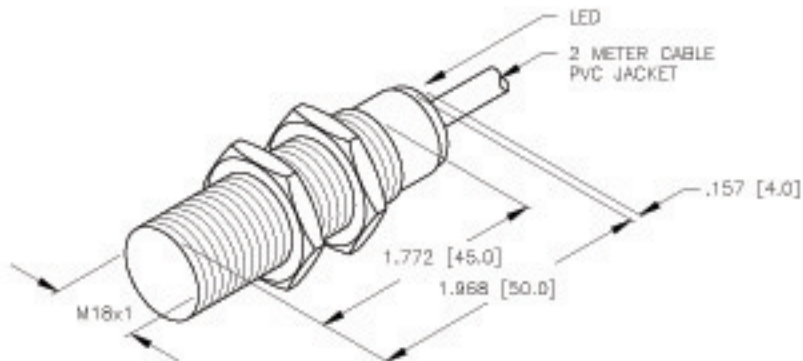
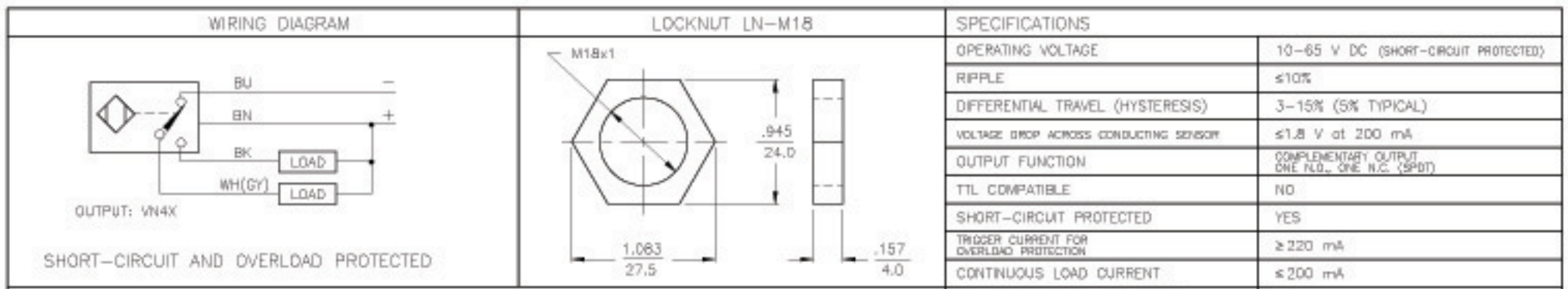


Inductive Sensors



Housing Style	Part Number	ID Number	Features	Sensing Range (mm)	Output	
18 mm - Embeddable, Potted-In Cable, Partial Threading 	Bi 5-M18-AD4X	T4411000		5	2-Wire DC	
	Bi 7-M18-AD4X	T4414535	Ext. Range	7		
	Bi 5U-EM18-AN6X	M1635320	Uprox	5	3-Wire DC NPN	
	Bi 5U-M18-AN6X	M1635120	Uprox	5		
	Bi 8-M18-AN6X	T4615130	Ext. Range	8		
	Bi 5-M18-AN6X	M4611100		5		
	Bi 5-M18-AP6X/S100	M4611004	High Temp. 100°C	5	3-Wire DC PNP	
	Bi 5U-EM18-AP6X	M1635300	Uprox	5		
	Bi 5U-M18-AP6X	M1635100	Uprox	5		
	Bi 8-M18-AP6X	T4615030	Ext. Range	8		
	Bi 5-M18-VN4X	T1571100	Comp. Outputs	5	4-Wire DC NPN	
	Bi 8-M18-VN4X	T4590703	Comp. Outputs	8		
	Bi 5-M18-VP4X	T1561100	Comp. Outputs	5	4-Wire DC PNP	
	Bi 8-M18-VP4X	T4590704	Comp. Outputs	8		
	18 mm - Embeddable, Potted-In Cable, Partial Threading, Teflon Coated 	Bi 5U-MT18-ADZ30X2	M4209410	Uprox	5	2-Wire AC/DC

Output	Switching Freq. (Hz)	Operating Current (mA)	Operating Temp. (°C)	Protection	Housing	Face	End Cap	Power LED	Output LED	Cable Length/ Cable Mat.	Wiring Diagram #	Wiring Diagrams
10-65 VDC	1000	≤100	-25 to +70	IP 67	CPB	PA 12	EPTR	N/A	YE	2M/PVC	1	Diagram 1
	1000	≤100	-25 to +70	IP 67	CPB	PA 12	EPTR	N/A	YE	2M/PVC	1	
10-30 VDC	2500	≤200	-30 to +85	IP 68	SS	PA 12	EPTR	N/A	YE	2M/PVC	2	Diagram 2
	2500	≤200	-30 to +85	IP 67	CPB	PA 12	EPTR	N/A	YE	2M/PVC	2	
	500	≤200	-25 to +70	IP 67	SS	PA 12	EPTR	N/A	YE	2M/PVC	2	
	1000	≤200	-25 to +70	IP 67	CPB	PA 12	EPTR	N/A	YE	RK 4T-*	2	
10-30 VDC	1000	≤200	-25 to +100	IP 67	CPB	IRPA	EPTR	N/A	YE	2M/PVC	3	Diagram 3
	2500	≤200	-30 to +85	IP 68	SS	PA 12	EPTR	N/A	YE	2M/PVC	3	
	2500	≤200	-30 to +85	IP 67	CPB	PA 12	EPTR	N/A	YE	2M/PVC	3	
	500	≤200	-25 to +70	IP 67	SS	PA 12	EPTR	N/A	YE	2M/PVC	3	
10-65 VDC	1000	≤200	-25 to +70	IP 67	CPB	PA 12	EPTR	N/A	YE	2M/PVC	4	Diagram 4
	500	≤200	-25 to +70	IP 67	SS	PA 12	EPTR	N/A	YE	2M/PVC	4	
10-65 VDC	1000	≤200	-25 to +70	IP 67	CPB	PA 12	EPTR	N/A	YE	2M/PVC	5	Diagram 5
	500	≤200	-25 to +70	IP 67	SS	PA 12	EPTR	N/A	YE	2M/PVC	5	
20-250 VAC 10-300 VDC	20	≤400/300	-30 to +85	IP 67	TC	TC	EPTR	GN	YE	2M/PVC	6	Diagram 6



NOTE
PRELIMINARY
SPECIFICATIONS

SOURCE DRAWING - FOR REFERENCE ONLY

NOTE: ALL DIMENSIONAL TOLERANCES: ±1.0 mm

P2	DESCRIPTION	CBM	08/07/01	BY	DATE	ECO NO.
----	-------------	-----	----------	----	------	---------

RELATED DOCUMENTS 1. 2. 3. 4.	3RD ANGLE PROJECTION 	THIS DOCUMENT IS PROPERTY OF TURCK INC. USE OF THIS DOCUMENT WITHOUT WRITTEN PERMISSION IS PROHIBITED.	TURCK INC <i>High Technology Sensors and Automation Controls</i>	
MATERIAL BRASS BARREL	TOLERANCES UNLESS OTHERWISE SPECIFIED .X ±0.02 .XX ±0.01 .XXX ±0.005 ANGLES ±1° ALL MILLIMETER DIMENSIONS ARE REFERENCE ONLY	DR-T IK OSN	DATE 05/08/01 SCALE NONE	DESCRIPTION Br 8-M18-VN4X
FINISH COPPER/NICKEL/ CHROME PLATING	UNIT OF MEASUREMENT NCH [MILLIMETER] DO NOT SCALE THIS DRAWING	IDENTIFICATION NO. T4590703	REV P2	FILE: T4590703 SHEET 1 OF 1