



Cylindrical Photoelectric Sensor

The CY series of photoelectric sensors has an M18 thread size for convenient mounting. Thrubeam, diffuse reflective, and retro-reflective types allow for a wide range of applicable uses. They are available in AC and DC types with three output options (NPN, PNP, or Thyristor). A pigtailed type sensor with an M12 connector is also available, providing an easy to replace option.

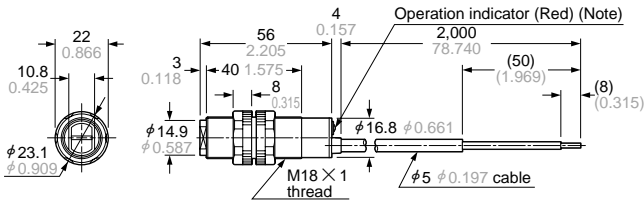
Its IP67 construction allow for installation in tough environments and can be washed down with water. In addition, it has strong resistance against vibration. The connector also has IP67 protection.

Convenient options such as the side-view attachment and slit masks enhance the usability of the CY series.

Model Name	Model Pic	Type	Output Operation	Output Configuration	Emitting Element	Max. Range (mm)	Max. Range (in)
Sort ▲ ▼		Sort ▲ ▼	Sort ▲ ▼	Sort ▲ ▼	Sort ▲ ▼	Sort ▲ ▼	Sort ▲ ▼
CY-11A		Thrubeam AC Type	Light-ON	AC Thyristor	Infrared LED	12000	472.4
CY-11A-J		Thrubeam AC Type, M12 Quick Disconnect	Light-ON	AC Thyristor	Infrared LED	12000	472.4
CY-11B		Thrubeam AC Type	Dark-ON	AC Thyristor	Infrared LED	12000	472.4
CY-11B-J		Thrubeam AC Type, M12 Quick Disconnect	Dark-ON	AC Thyristor	Infrared LED	12000	472.4
CY-12A		Diffuse Reflective AC Type	Light-ON	AC Thyristor	Infrared LED	120	4.7
CY-12A-J		Diffuse Reflective AC Type, M12 Quick Disconnect	Light-ON	AC Thyristor	Infrared LED	120	4.7
CY-12B		Diffuse Reflective AC Type	Dark-ON	AC Thyristor	Infrared LED	120	4.7
CY-12B-J		Diffuse Reflective AC Type, M12 Quick Disconnect	Dark-ON	AC Thyristor	Infrared LED	120	4.7
CY-17A		Retro-Reflective AC Type	Light-ON	AC Thyristor	Infrared LED	3000	118.1
CY-17A-J		Retro-Reflective AC Type, M12 Quick Disconnect	Light-ON	AC Thyristor	Infrared LED	3000	118.1

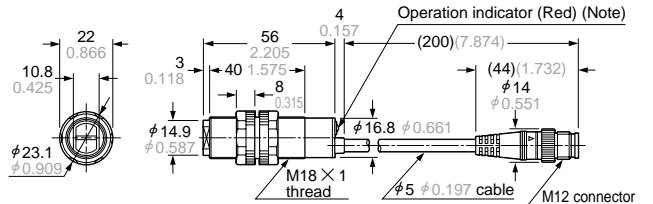
DIMENSIONS (Unit: mm in)

**CY-21 □ CY-27 □
CY-22 □** Sensor



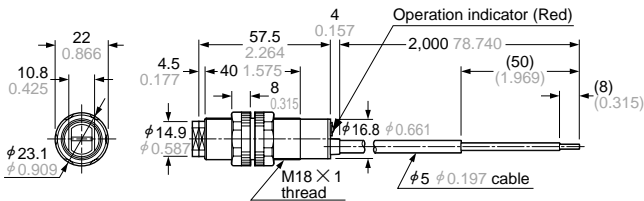
Note: It is the emitting indicator (red) on the emitter of the thru-beam type sensor.

**CY-21 □-J CY-27 □-J
CY-22 □-J** Sensor

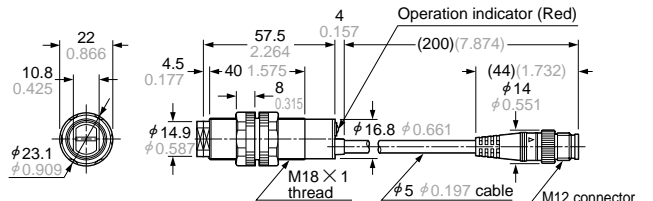


Note: It is the emitting indicator (red) on the emitter of the thru-beam type sensor.

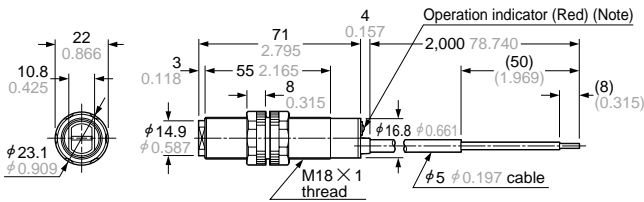
CY-29 □ Sensor



CY-29 □-J Sensor

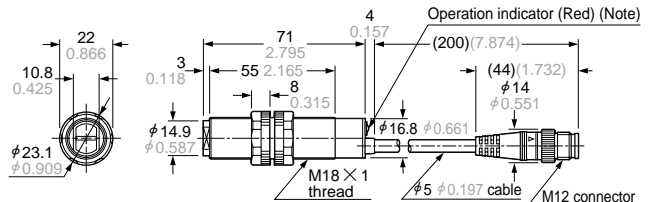


**CY-11 □ CY-17 □
CY-12 □** Sensor



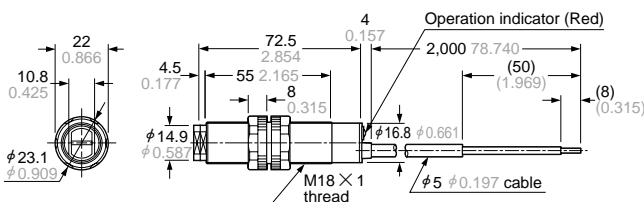
Note: It is the power indicator (red) on the emitter of the thru-beam type sensor.

**CY-11 □-J CY-17 □-J
CY-12 □-J** Sensor

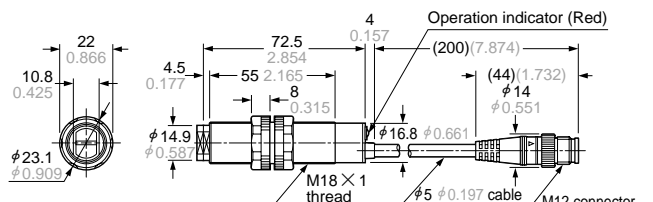


Note: It is the power indicator (red) on the emitter of the thru-beam type sensor.

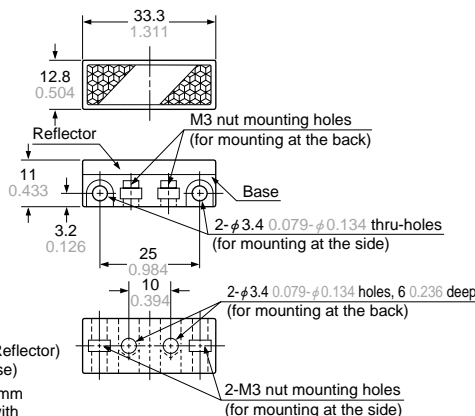
CY-19 □ Sensor



CY-19 □-J Sensor

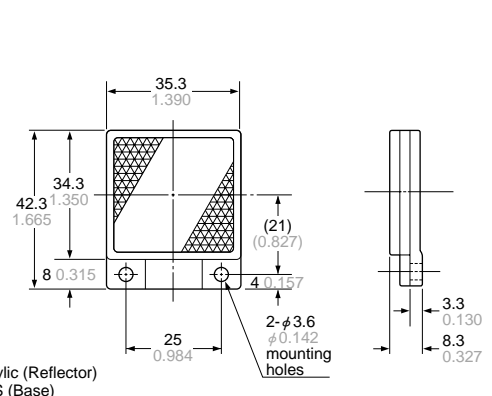


RF-210 Reflector (Optional)



Material: Acrylic (Reflector)
ABS (Base)
Two M3 (length 8 mm 0.315 in) screws with washers and two nuts are attached.

RF-220 Reflector (Optional)



Material: Acrylic (Reflector)
ABS (Base)

SPECIFICATIONS

AC supply type

Item	Model No.	Type	Retroreflective			Diffuse reflective
			Thru-beam		With polarizing filters	
			Light-ON	CY-11A	CY-17A	CY-19A
Dark-ON	CY-11B	CY-17B	CY-19B	CY-12B		
Sensing range		12 m 39.370 ft	3 m 9.843 ft (Note 1)	1.5 m 4.921 ft (Note 1)	120 mm 4.724 in (Note 2)	
Sensing object		φ8 mm φ0.315 in or more opaque object	φ50 mm φ1.969 in or more opaque or translucent object (Note 1)	φ50 mm φ1.969 in or more opaque, translucent or specular object (Note 1)	Opaque, translucent or transparent object	
Hysteresis		—————			15 % or less of operation distance	
Repeatability (perpendicular to sensing axis)		0.1 mm 0.004 in or less			0.3 mm 0.012 in or less	
Supply voltage		24 to 240 V AC ± 10 %				
Power consumption		Emitter: 1.5 VA or less Receiver: 2.5 VA or less	2.7 VA or less			
Output		AC non-contact (thyristor) output • Load current: 5 to 200 mA • Applied voltage: 24 to 240 V AC ± 10 % • Residual voltage: 4 V AC or less (at 200 mA load current)				
Response time		20 ms or less				
Operation indicator		Red LED (lights up when the output is ON), incorporated on the receiver for the thru-beam type sensor				
Power indicator		Red LED (lights up when the power is ON), incorporated on the emitter	—————			
Environmental resistance	Pollution degree	3 (Industrial environment)				
	Protection	IP67 (IEC)				
	Ambient temperature	- 25 to + 55 °C - 13 to + 131 °F (No dew condensation or icing allowed), Storage: - 30 to + 70 °C - 22 to + 158 °F				
	Ambient humidity	35 to 85 % RH, Storage: 35 to 85 % RH				
	Ambient illuminance	Sunlight: 10,000 lx at the light-receiving face, Incandescent light: 3,000 lx at the light-receiving face				
	EMC	EN 50081-2, EN 50082-2, EN 60947-5-2				
	Voltage withstandability	1,500 V AC for one min. between all supply terminals connected together and enclosure				
	Insulation resistance	20 MΩ, or more, with 500 V DC megger between all supply terminals connected together and enclosure				
	Vibration resistance	10 to 500 Hz frequency, 1.5 mm 0.059 in amplitude (10 G max.) in X, Y and Z directions for two hours each				
	Shock resistance	500 m/s ² acceleration (50 G approx.) in X, Y and Z directions for three times each				
Emitting element	Infrared LED (modulated)		Red LED (modulated)	Infrared LED (modulated)		
Material	Enclosure: PBT, Lens: Polycarbonate		Enclosure: PBT, Front cover: Acrylic			
Cable	0.34 mm ² 3-core (thru-beam type emitter: 2-core) cabtyre cable, 2 m 6.562 ft long					
Cable extension	Extension up to total 100 m 328.084 ft is possible with 0.34 mm ² , or more, cable (thru-beam type: both emitter and receiver).					
Weight	Emitter: 90 g approx. Receiver: 100 g approx.		100 g approx.			
Accessories	Nut: 4 pcs.		Nut: 2 pcs.			

NOTE: Reflector is not supplied with the retroreflective type sensor. Please select the suitable reflector or reflective tape from the options.

Notes: 1) The sensing range and the sensing object of the retroreflective type sensor are specified for the **RF-230** reflector (optional).
 2) The sensing range of the diffuse reflective type sensor is specified for white non-glossy paper (200 × 200 mm 7.874 × 7.874 in) as the object.