

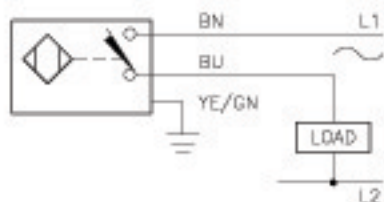
Inductive Sensors



| Housing Style | Part Number | ID Number | Features | Sensing Range (mm) | Output |
|---|--|----------------|-----------------------|--------------------|---|
| 12 mm - Embeddable, Potted-In Cable | Bi 3-GT12K-AD4X/S1610 | T4405083-2 | <i>armorguard</i> | 3 | 2-Wire DC |
| | Bi 2-EG12HK-AN6X/S1589 | T4605192 | <i>weldguard</i> | 2 | 3-Wire DC NPN |
| | Bi 2-G12K-AN6X | T4671200 | <i>Short Barrel</i> | 2 | |
| | Bi 4-G12K-AN6X | T4670251 | <i>Short Barrel</i> | 4 | |
| | Bi 2-G12K-AP6X | T4670200 | <i>Short Barrel</i> | 2 | 3-Wire DC PNP |
| | Bi 4-G12K-AP6X | T4670250 | <i>Short Barrel</i> | 4 | |
| | Bi 2-EG12-Y0X | T4012000 | | 2 | 2-Wire DC NAMUR |
| | Bi 2-G12-Y0 | T1005400 | | 2 | |
| | Bi 2-G12-Y0X | T4010000 | | 2 | |
| | 12 mm - Embeddable, Potted-In Cable | Bi 2-EG12-AN6X | T4605101 | | 2 |
| Bi 2-G12-AN6X | | T4635500 | | 2 | |
| Bi 2-G12-AN7X | | T4730500 | <i>TTL Compatible</i> | 2 | |
| Bi 4-G12-AN6X | | T1690706 | <i>Extended Range</i> | 4 | |
| Bi 2-EG12-AP6X | | T4605001 | | 2 | 3-Wire DC PNP |
| Bi 2-G12-AP6X | | T4635400 | | 2 | |
| 12 mm - Embeddable, Potted-In Cable | Bi 2-G12-ADZ32X | T4205000 | | 2 | 2-Wire AC/DC Short-circuit Protected |
| | Bi 4-G12-ADZ32X | T4205030 | <i>Extended Range</i> | 4 | |
| | Bi 2-G12-AZ33X | T1304002 | | 2 | 2-Wire AC/DC |
| | Bi 2-GT12-ADZ32X/S34 | T4205210 | <i>WFI</i> | 2 | 2-Wire AC/DC Short-circuit Protected |
| 12 mm - Embeddable, Potted-In Cable, Teflon Coated | Bi 2-GT12-AZ33X/S34 | T1304052 | <i>WFI</i> | 2 | 2-Wire AC/DC |

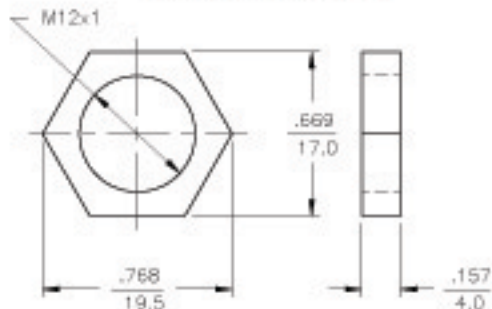
| Voltage | Switching Freq. (Hz) | Operating Current (mA) | Operating Temp. (°C) | Protection | Housing | Face | End Cap | Power LED | Output LED | Cable Length/ Cable Mat. | Wiring Diagram # | Wiring Diagrams |
|--------------------------|----------------------|------------------------|----------------------|------------|---------|-------|---------|-----------|------------|--------------------------|------------------|----------------------|
| 10-65 VDC | 1000 | ≤100 | -25 to +70 | IP 67 | AG | WG | EPTR | N/A | YE | 2M/PVC | 1 | Diagram 1 |
| 10-30 VDC | 2000 | ≤200 | -25 to +70 | IP 67 | WG | WG | EPTR | N/A | YE | 2M/PVC | 2 | |
| | 2000 | ≤200 | -25 to +70 | IP 67 | CPB | PA 12 | EPTR | N/A | YE | 2M/PVC | 2 | |
| | 2000 | ≤200 | -25 to +70 | IP 67 | CPB | PA 12 | EPTR | N/A | YE | 2M/PVC | 2 | |
| 10-30 VDC | 2000 | ≤200 | -25 to +70 | IP 67 | CPB | PA 12 | EPTR | N/A | YE | 2M/PVC | 3 | Diagram 2 |
| | 2000 | ≤200 | -25 to +70 | IP 67 | CPB | PA 12 | EPTR | N/A | YE | 2M/PVC | 3 | |
| 5-30 VDC | 5000 | Remote | -25 to +70 | IP 67 | SS | PA 12 | EPTR | N/A | YE | 2M/PVC | 4 | |
| | 5000 | Remote | -25 to +70 | IP 67 | CPB | PA 12 | EPTR | N/A | N/A | 2M/PVC | 4 | |
| | 5000 | Remote | -25 to +70 | IP 67 | CPB | PA 12 | EPTR | N/A | YE | 2M/PVC | 4 | |
| 10-30 VDC | 2000 | ≤200 | -25 to +70 | IP 67 | SS | PA 12 | EPTR | N/A | YE | 2M/PVC | 2 | |
| | 2000 | ≤200 | -25 to +70 | IP 67 | CPB | PA 12 | EPTR | N/A | YE | 2M/PVC | 2 | |
| | 2000 | ≤150 | -25 to +70 | IP 67 | CPB | PA 12 | EPTR | N/A | YE | 2M/PVC | 2 | |
| | 2000 | ≤200 | -25 to +70 | IP 67 | CPB | PA 12 | EPTR | N/A | YE | 2M/PVC | 2 | |
| 10-30 VDC | 2000 | ≤200 | -25 to +70 | IP 67 | SS | PA 12 | EPTR | N/A | YE | 2M/PVC | 3 | |
| | 2000 | ≤200 | -25 to +70 | IP 67 | CPB | PA 12 | EPTR | N/A | YE | 2M/PVC | 3 | |
| 20-250 VAC 10-300 VDC | 20 | ≤100 | -25 to +70 | IP 67 | CPB | PA 12 | EPTR | N/A | YE | 2M/PVC | 5 | |
| | 20 | ≤100 | -25 to +70 | IP 67 | CPB | PA 12 | EPTR | N/A | YE | 2M/PVC | 5 | |
| 35-250 VAC 10-300 VDC | 20 | ≤100 | -25 to +70 | IP 67 | CPB | PA 12 | EPTR | N/A | YE | 2M/PVC | 5 | |
| 20-250 VAC 10-300 VDC | 20 | ≤100 | -25 to +70 | IP 67 | TC | TC | EPTR | N/A | YE | 2M/PVC | 5 | |
| 35-250 VAC 10-300 VDC | 20 | ≤100 | -25 to +70 | IP 67 | TC | TC | EPTR | N/A | YE | 2M/PVC | 5 | |

WIRING DIAGRAM



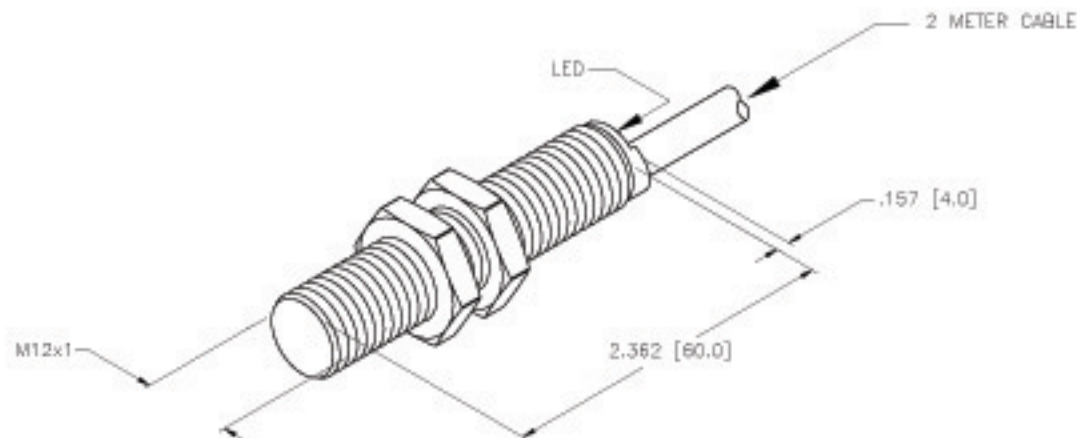
OUTPUT: ADZ32X

LOCKNUT LN-M12



SPECIFICATIONS

| | |
|-----------------------------|---------------------------------------|
| RATED OPERATING DISTANCE | 4mm = .157" (NOMINAL) |
| MOUNTING MODE | FLUSH |
| TEMPERATURE DRIFT | ±10% |
| HYSTERESIS | 3-15% |
| MIN. REPEAT ACCURACY | ±2% |
| OPERATING TEMPERATURE | -25°C to +70°C (-13°F to +158°F) |
| RATED OPERATIONAL VOLTAGE | 20-250 VAC/10-300 VDC |
| MAX. RIPPLE | ±10% |
| RATED OPERATIONAL CURRENT | ≤100 mA |
| MAX. OFF-STATE CURRENT | ≤1.7 mA |
| RATED INSULATION VOLTAGE | ≤0.5 kV |
| SHORT-CIRCUIT PROTECTION | YES |
| MAX. VOLTAGE DROP | ≤6 V |
| MIN. OPERATIONAL CURRENT | ≥3 mA |
| LINE FREQUENCY | 40-60 Hz |
| MAX. SWITCHING FREQUENCY | ≤0.8 kHz |
| OUTPUT FUNCTION | 3-WIRE, NORMALLY OPEN, SELF CONTAINED |
| CABLE | PVC |
| VIBRATION RESISTANCE | 55 Hz (IN ALL 3 PLANES) |
| SHOCK RESISTANCE | 30 g, 11 ms |
| DEGREE OF PROTECTION | IP 67 |
| SWITCHING STATUS INDICATION | LED, YELLOW |



SOURCE DRAWING - FOR REFERENCE ONLY

| | | | | | | | |
|-------------------|--|-------------------------------|---|---|-----------------|---|----------|
| RELATED DOCUMENTS | | 3RD ANGLE PROJECTION | | THIS DRAWING IS PROPERTY OF TURCK INC. USE OF THIS DOCUMENT WITHOUT WRITTEN PERMISSION IS PROHIBITED. | | High Technology Sensors and Automation Controls | |
| 1. | | | TOLERANCES UNLESS OTHERWISE SPECIFIED .X ±0.02 .XX ±0.01 .XXX ±0.005 ANGLES ±1° ALL MILLIMETER DIMENSIONS ARE REFERENCE ONLY | DRFT | RDS | DATE | 05/30/08 |
| 2. | | | | DESCRIPTION | BI 4-G12-ADZ32X | | |
| 3. | | | | USDR | | SCALE | 1=1.0 |
| 4. | | | | UNIT OF MEASUREMENT | | IDENTIFICATION NO. | |
| MATERIAL | | COPPER/NICKEL, CHROME PLATING | | INCH [MILLIMETER] | | T4205030 | |
| FINISH | | | | DO NOT SCALE THIS DRAWING | | REV | |
| A | | DRAWING RELEASE | | RDS | | 05/30/08 | |
| REV | | DESCRIPTION | | BY | | DATE | |
| | | EDD NO. | | | | FILE: T4205030 | |
| | | | | | | SHEET 1 OF 1 | |