

## NLC-OP1-MKT

Order No.: 2701140

<http://eshop.phoenixcontact.de/phoenix/treeViewClick.do?UID=2701140>

### Mounting kit

Commercial data	
EAN	4046356325271
Pack	1 Pcs.
Customs tariff	85366990
Weight/Piece	0.1546 KG
Catalog page information	Page 262 (NTK-2008)

#### Product notes

WEEE/RoHS-compliant since:  
10/15/2008

<http://www.download.phoenixcontact.com>  
Please note that the data given here has been taken from the online catalog. For comprehensive information and data, please refer to the user documentation. The General Terms and Conditions of Use apply to Internet downloads.

### Product description

Mounting kit for nanoLine Operator Panel. Includes receptor housing installed in base unit, mounting brackets for installation in cabinet and cable to connect base unit.

### Technical data

#### Supply

Max. current consumption	50 mA
Typical current consumption	32 mA

### General data

Width	76 mm
Height	31.5 mm
Depth	46 mm
Mounting type	Control cabinet door mounting
Ambient temperature (operation)	0 °C ... 50 °C
Ambient temperature (storage/transport)	0 °C ... 60 °C

### Accessories

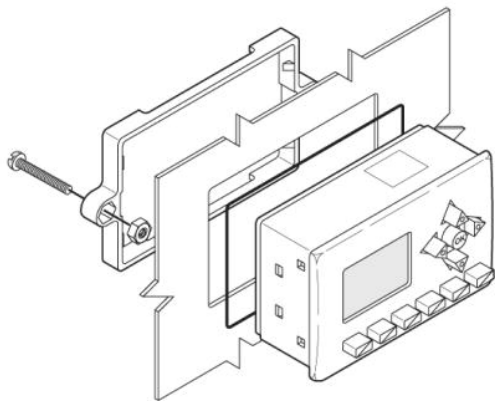
Item	Designation	Description
<b>General</b>		
2701276	NLC-OP1-COVER	Replacement cover for base unit

### Article Sets

Item	Designation	Description
<b>Allgemein</b>		
2701250	NLC-OP1-MKT-BASE	
2701263	NLC-OP1-MKT-BRACKET	

### Drawings

Schematic diagram



**Address**

PHOENIX CONTACT GmbH & Co. KG  
Flachmarktstr. 8  
32825 Blomberg, Germany  
Phone +49 5235 3 00  
Fax +49 5235 3 41200  
<http://www.phoenixcontact.de>



© 2009 Phoenix Contact  
Technical modifications reserved;