

PATLITE

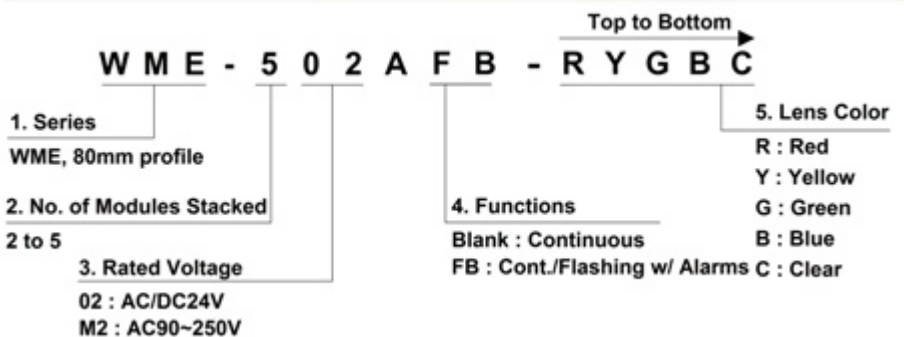
■ WME-A / 80mm Profile



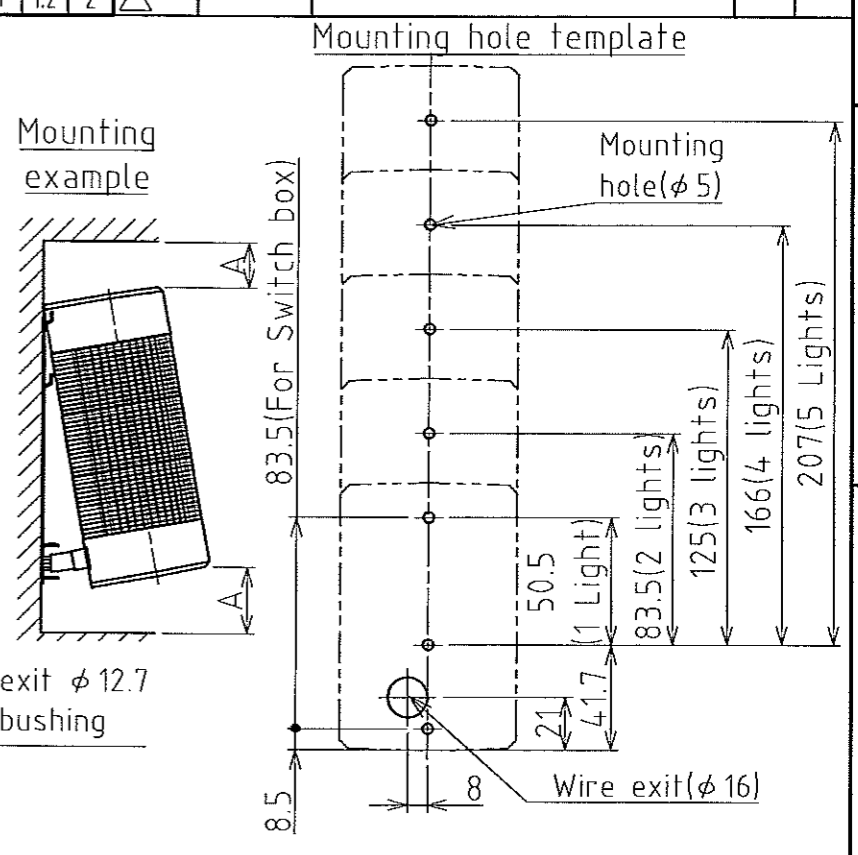
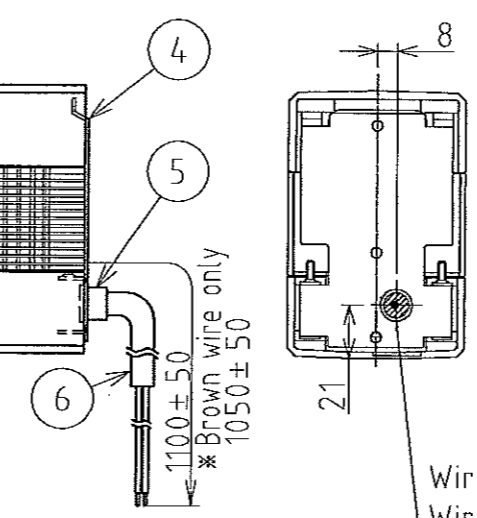
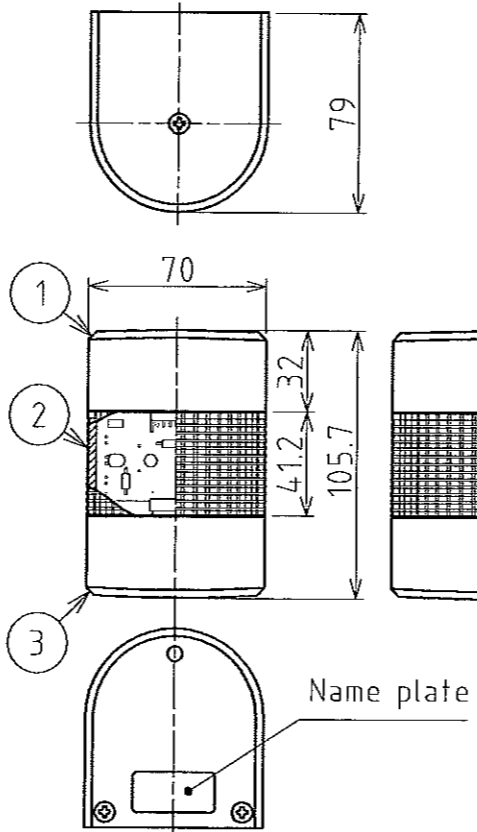
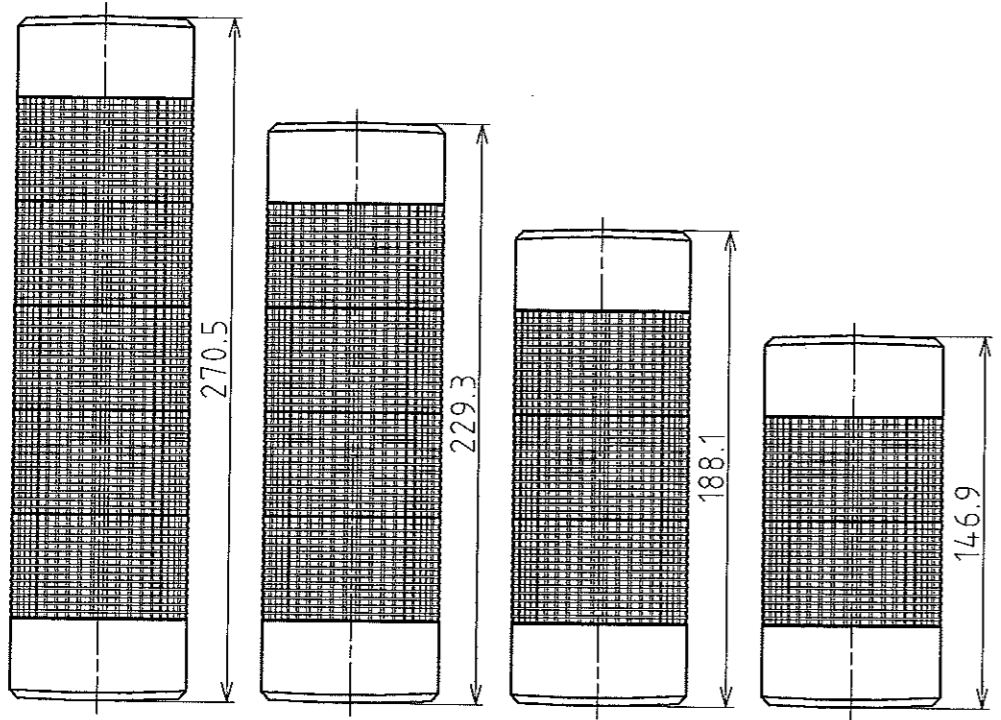
The WME-A Wall-Mount Series solves your space problems! This LED-based model is designed for easy mounting to save you both time and money.

| | |
|--------------------------------|--|
| SIZE: | 80mm profile |
| INPUT VOLTAGE | - AC/DC24V |
| OPTIONS: | - AC90-250V |
| FUNCTIONS | - Continuous only |
| AVAILABLE: | - Continuous, Flashing, Alarms |
| MOUNTING OPTIONS | - Pre-assembled, pre-wired - Interchangeable and stackable after purchase - When changing the number of stacks in the field, new shaft, backplate and module(s) must be purchased |
| BODY STYLE: | Wall mount only: includes mounting bracket |
| BODY COLOR: | Beige |
| TIERS: | 2, 3, 4 or 5 stack versions available |
| MODULE COLORS: | Red / Amber / Green / Blue / Clear |
| ALARMS (FB STYLE ONLY): | - Alarm 1: selectable, single-tone, intermittent (fast beep) alarm, 90dB (at 1m) - Alarm 2: selectable, single tone, intermittent (slow beep) alarm, 90dB (at 1m) |
| RATINGS: | - CE - UL Component Recognition (US) - UL Component Recognition (Canada) - RoHS |
| PROTECTION: | IP-54 |
| CONTROL OPTIONS: | - Dry contact closure such as switches or relay contacts - Open-collector transistor (NPN or PNP for DC24V, NPN for AC90-250V) - Direct voltage control for DC24V, continuous and alarm functions only |

PART NUMBER GUIDE



| 指定公差 General Tolerance | 角度公差 Angular tolerance ± [°] | | | | 寸法公差 Dimensional tolerance ± [mm] | | | | | 符号 Sym. | 年月日 Date | 訂正履歴 Revisions | 記印 Sgn. | 検印 Chk. | |
|---------------------------|-------------------------------------|-----|-----|-----|--------------------------------------|------|-----|-----|------|------------|-------------|-------------------|------------|------------|--|
| | 短辺 長さ Length of short side | ~ | ~ | 100 | 6 | 30 | 120 | 300 | 1000 | | | | | | |
| 精 f | 10 | 50 | 100 | ~ | 精 f | 0.05 | 0.1 | 0.2 | 0.4 | 0.6 | △ | | | | |
| 中 m | 1 | 0.5 | 0.3 | 0.1 | 中 m | 0.1 | 0.3 | 0.5 | 0.7 | 1 | △ | | | | |
| 粗 v | 3 | 1.5 | 1 | 0.5 | 粗 c | 0.3 | 0.5 | 1 | 1.2 | 2 | △ | | | | |



Model No. configuration

WME - □ 0 2 A - □ □ □ □ □ □

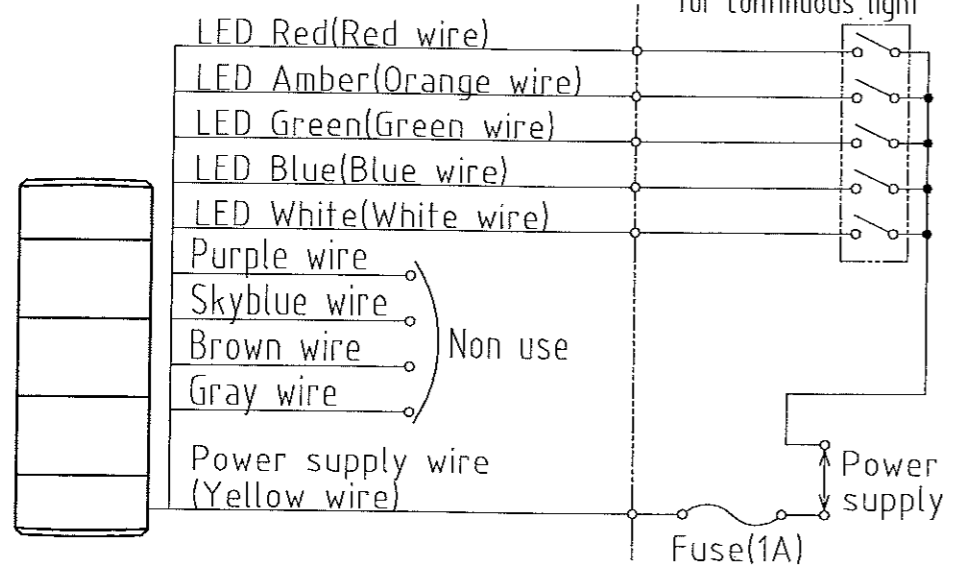
Light style
 1:1 Light
 2:2 Lights
 3:3 Lights
 4:4 Lights
 5:5 Lights

Rated voltage
 02:24V AC/DC

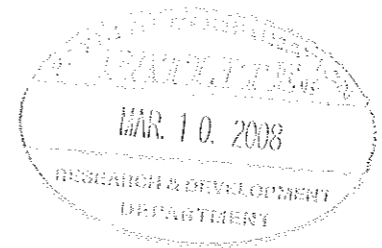
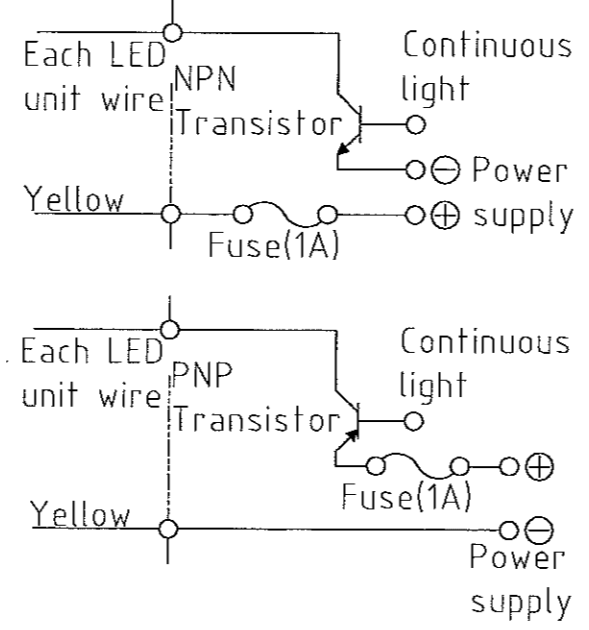
LED unit color
 (R:Red/Y:Amber/G:Green/B:Blue/C:White)
 * Lens color top to base as layers

Wiring example

(A kind of wire:UL1007/AWG24)



Transistor drive example



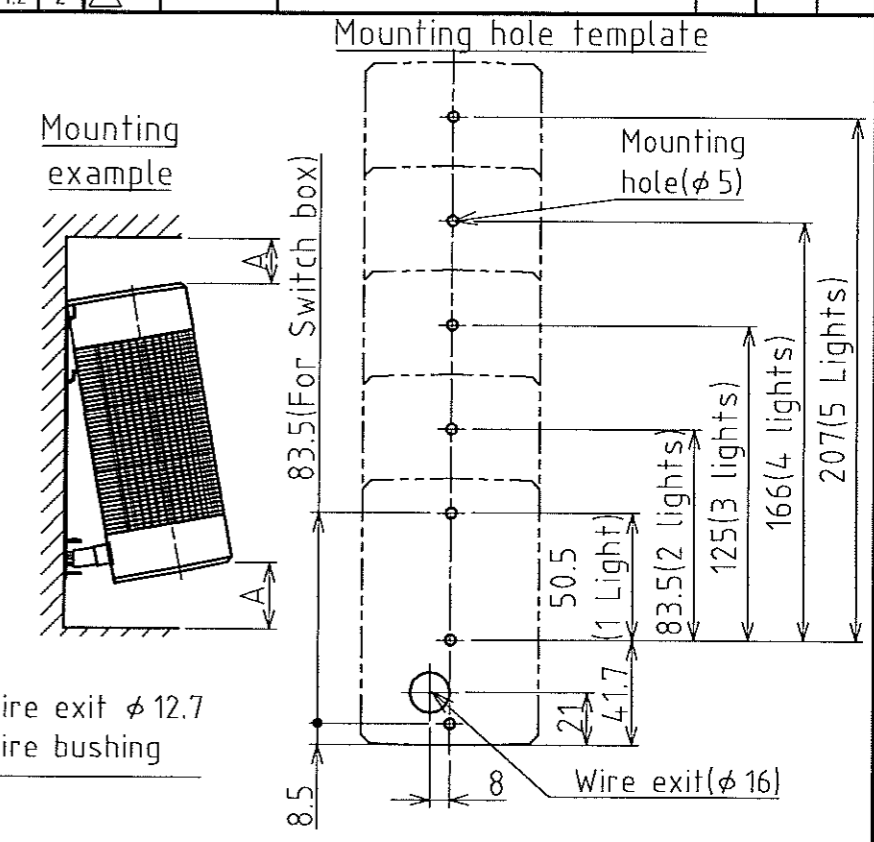
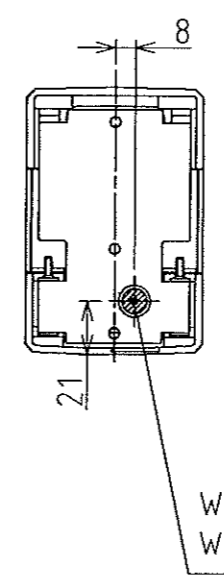
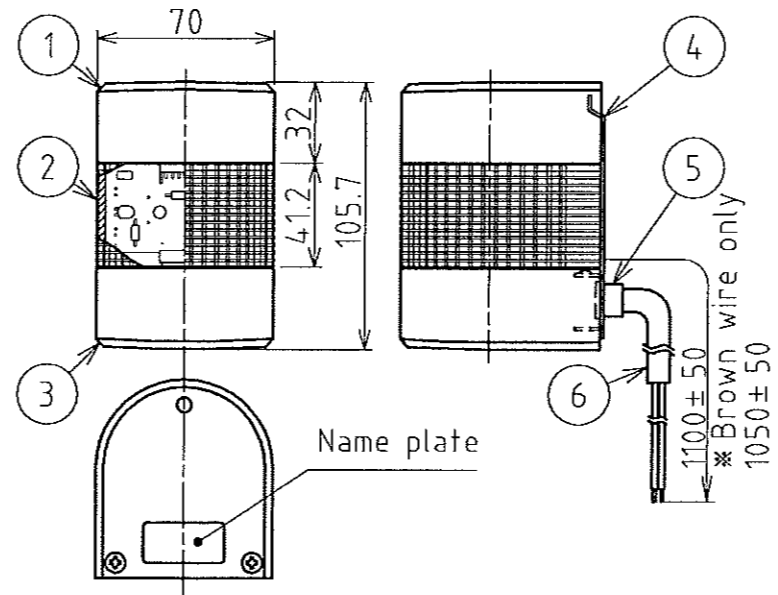
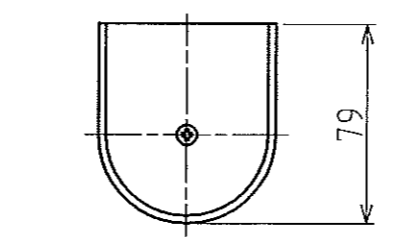
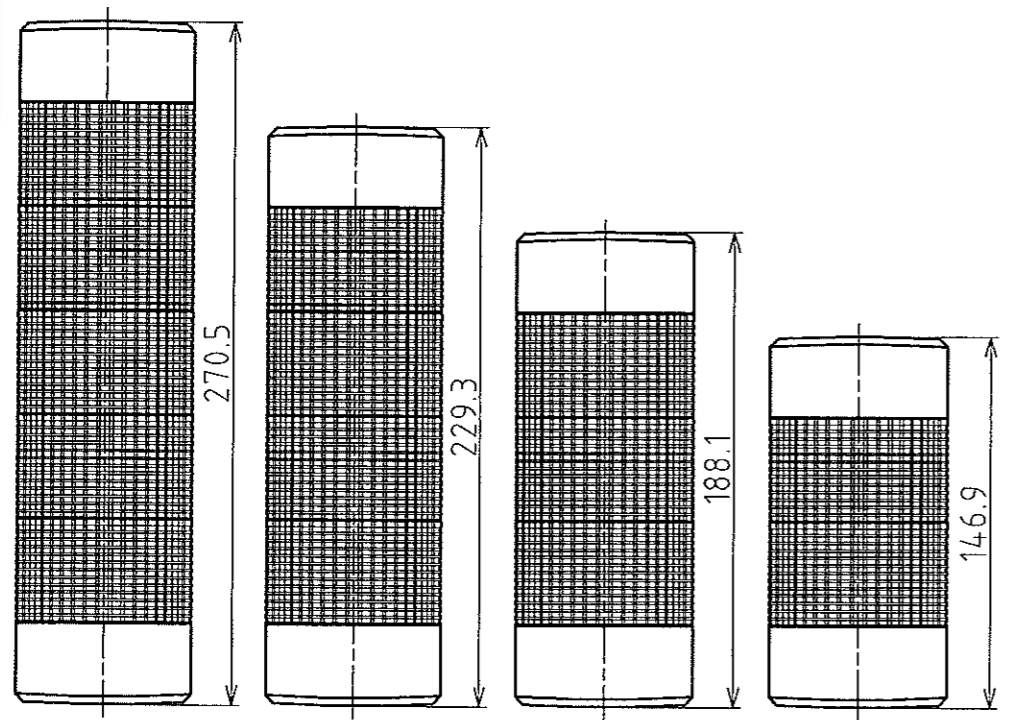
Note

1. Make sure of that the end of unused wires are insulated by insulation tape or other insulating materials.
2. When installing the product, be sure to leave enough space (A) for screwdriver access as shown above.
3. Use "Class 2 circuit" for the power supply source.
4. The fuse or fuse folder should be certified by UL.
5. Rated current of fuse should be conformed to that of machine this product is installed.
(Example:Class J Type fuse)

| 番号 No. | 部品名 Part Name | 品目コード Part No. | 数量 Qty. | 材料 & 寸法 & 処理 Material & Size & Finish | 記事 Remarks |
|-----------|-------------------|-------------------|------------|---|---------------|
| 6 | Vinyl tube | - | 1 | | Black |
| 5 | Wire bushing | - | 1 | | Black |
| 4 | Metal fitting | - | 1 | SPCC,t=1.2,MFZn-C Yellow zinc | |
| 3 | Bracket | - | 1 | ABS | Light gray |
| 2 | LED unit assembly | - | Layers | LED color:Red,Amber,Green,Blue,White Lens:AS | |
| 1 | Head cover | - | 1 | ABS | Light gray |

| 設計 Dgn.by | 製図 Drn.by | 検図 Chk.by | 承認 App.by | 図名 Name | 規格名 Model | 特注 No. S.P.No. |
|---------------------|---------------|-----------------|-----------------------------------|----------------|-------------------------------------|----------------|
| A.Ikeda | T.Okutani | J.Chikyo | H.Kojima | Specifications | WME-□02A | |
| 25.Mar.2002 | 13.Oct.'06 | 17.Oct.'06 | 18.Oct.'06 | Dimensions | 品目コード Part No. | |
| 三角法 3rd Angle P. | 単位 Unit mm | 尺度 Scale 1:3 | 株式会社 パトライト PATLITE Corporation | | 図番 Drawing No. WME-.02A-A18E-2/2 | |

| | | | | | | | | | | | | | | |
|----------------------------------|-----------------------------|---------------|-------------------------------|------|-----|-----|------|--------|------------|-------------|-------------------|------------|------------|------------|
| 指定 公差 General Tolerance | 角度公差 Angular Tolerance | ± [°] | 寸法公差 Dimensional Tolerance | | | | | ± [mm] | 符号 Sym. | 年月日 Date | 訂正履歴 Revisions | 記印 Sgn. | 検印 Chk. | 承認 App. |
| | 短辺長 Length of short side | 10 50 100 | 6 | 30 | 120 | 300 | 1000 | △ | | | | | | |
| | 精 Fine | 1 0.5 0.3 0.1 | f | 0.05 | 0.1 | 0.2 | 0.4 | 0.6 | △ | | | | | |
| | 粗 Coarse | 3 1.5 1 0.5 | m | 0.1 | 0.3 | 0.5 | 0.7 | 1 | △ | | | | | |
| | | | c | 0.3 | 0.5 | 1 | 1.2 | 2 | △ | | | | | |



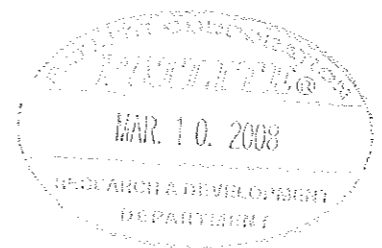
Model No. configuration

WME - □ M2 A - □ □ □ □ □

- Light style
- 1:1 Light
 - 2:2 Lights
 - 3:3 Lights
 - 4:4 Lights
 - 5:5 Lights

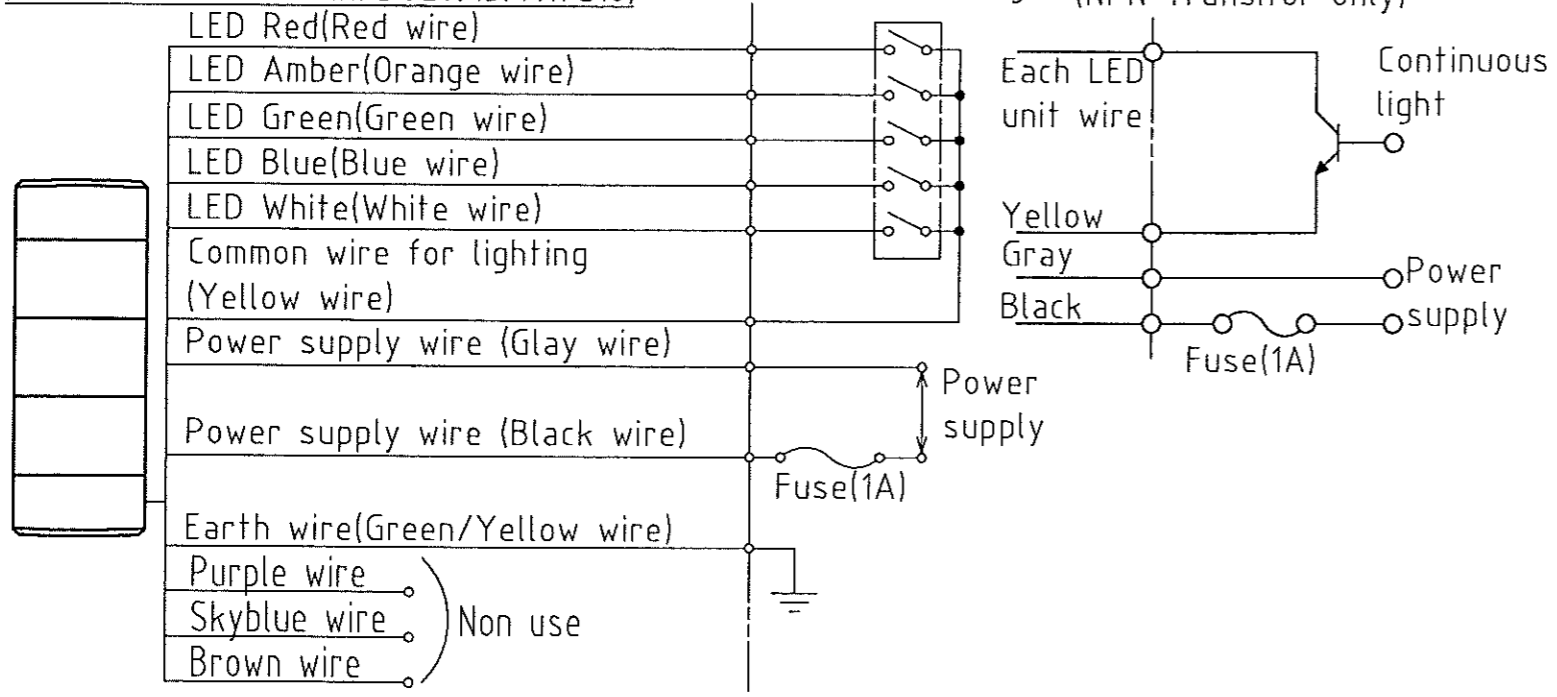
Rated voltage
M2:90V~250V AC

LED unit color
(R:Red/Y:Amber/G:Green/B:Blue/C:White)
* Lens color top to base as layers



Wiring example

(Signal wire:UL1007/AWG24)
(Power wire・Earth wire:UL1015/AWG18)



Note

1. Make sure of that the end of unused wires are insulated by insulation tape or other insulating materials.
2. When installing the product, be sure to leave enough space (A) for screwdriver access as shown above.
3. The fuse or fuse folder should be certified by UL.
4. Rated current of fuse should be conformed to that of machine this product is installed.

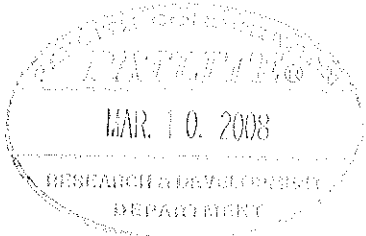
(Example:Class J Type fuse)

| | | | | | |
|---|-------------------|---|--------|---|------------|
| 6 | Vinyl tube | - | 1 | | Black |
| 5 | Wire bushing | - | 1 | | Black |
| 4 | Metal fitting | - | 1 | SPCC,t=1.2,MFZn-C Yellow zinc | |
| 3 | Bracket | - | 1 | ABS | Light gray |
| 2 | LED unit assembly | - | Layers | LED color:Red,Amber,Green,Blue,White Lens:AS | |
| 1 | Head cover | - | 1 | ABS | Light gray |

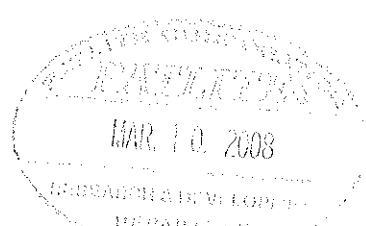
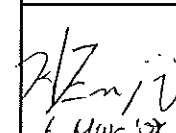
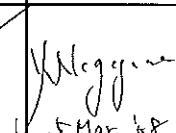
| 番号 No. | 部品名 Part Name | 品目コード Part No. | 数量 Qty. | 材料 & 寸法 & 処理 Material & Size & Finish | 記事 Remarks |
|-----------|------------------|-------------------|------------|--|---------------|
|-----------|------------------|-------------------|------------|--|---------------|

| | | | | | | |
|---------------------|---------------|-----------------|-----------------------------|----------------|-----------------------|----------------|
| 設計 Dgn.by | 製図 Drn.by | 検図 Chk.by | 承認 App.by | 図名 Name | 機種名 Model | 特注 No. S.P.No. |
| A.Ikeda | Y.Nagayama | | H.Zenji | Specifications | WME-□M2A | |
| 16.Feb.'05 | 5.Mar.'08 | | 6.Mar.'08 | Dimensions | 品目コード Part No. | |
| 三角法 3rd Angle P. | 単位 Unit mm | 尺度 Scale 1:3 | 株式会社 PATLITE Corporation | 図番 Drawing No. | WME-.M2A-A18A(UL)-2/2 | |

SPECIFICATIONS

| | | | | | | |
|---|---------|--|----------------------------------|-------------------------|---------|---------|
| Model | 5lights | WME-502A | | | | |
| | 4lights | WME-402A | | | | |
| | 3lights | WME-302A | | | | |
| | 2lights | WME-202A | | | | |
| | 1light | WME-102A | | | | |
| Rated voltage | | 24V AC/DC (50/60Hz) | | | | |
| Operating voltage | | Rated voltage $\pm 10\%$ | | | | |
| Current consumption | | Per light | | | | |
| | | Red | Amber | Green | Blue | White |
| | | Typ. | 22.6 mA | 26.6 mA | 17.5 mA | 38.9 mA |
| | | Max. | 26.1 mA | 35.0 mA | 24.6 mA | 47.6 mA |
| Operating temperature range (Relative humidity) | | - 10 °C ~ + 55 °C (Less than 90%) | | | | |
| Mounting place | | Indoor only | | | | |
| Mounting direction | | Upright | | | | |
| Protection rating | | IP54 | | | | |
| Vibration proof | | 19.6 m/s ² (30Hz) | | | | |
| Insulation resistance | | <ul style="list-style-type: none"> • To be measured by an insulation measuring device of 500VDC between the terminals and the chassis. <li style="text-align: center;">More than 1MΩ | | | | |
| Dielectric voltage | | <ul style="list-style-type: none"> • 500VAC being applied between the terminals and the chassis for 1 minute. <li style="text-align: center;">Not breaking insulation | | | | |
| Luminous intensity | | Red | Amber | Green | Blue | White |
| | | 1000mcd | 700mcd | 1000mcd | 300mcd | 1000mcd |
| Mass(Tolerance: $\pm 10\%$) | | 1light | 2lights | 3lights | 4lights | 5lights |
| | | 0.31kg | 0.39kg | 0.47kg | 0.55kg | 0.63Kg |
| No. WME-. 02A-A18E-1/2 | | | | | | |
| Remark <ul style="list-style-type: none"> ● This product confirms to the CE requirements and CE Marking is indicated. ● Recognized as UL standard. (Standard No.UL508, File No. E215660) ● This product complies with the RoHS Directive(DIRECTIVE 2002/95/EC) <div style="text-align: right; margin-top: 20px;">  </div> | | | | | | |
| PATLITE Corporation | | App.by | Chk.by | Drn.by | | |
| | | <i>[Signature]</i> 18 Oct '06 | <i>[Signature]</i> 17 Oct '06 | T.Okutani 13.Oct.'06 | | |

SPECIFICATIONS

| | | | | | | | |
|--|---------|---|--|---------|---------|---------|---------|
| Model | 5lights | WME-5M2A | | | | | |
| | 4lights | WME-4M2A | | | | | |
| | 3lights | WME-3M2A | | | | | |
| | 2lights | WME-2M2A | | | | | |
| | 1light | WME-1M2A | | | | | |
| Rated voltage | | 90V~250VAC (50/60Hz) | | | | | |
| Operating voltage | | Rated voltage±10% | | | | | |
| Power consumption | | Per light | | | | | |
| | | AC100V | Red | Amber | Green | Blue | White |
| | | AC240V | 1.1W | | | 1.5W | |
| | | 1.4W | | | 2.0W | | |
| | | Standby power consumption:0.6W | | | | | |
| Current consumption | | Per light | | | | | |
| | | Typ. | Red | Amber | Green | Blue | White |
| | | Max. | 22.6 mA | 26.6 mA | 17.5 mA | 38.9 mA | 38.9 mA |
| | | 26.1 mA | 35.0 mA | 24.6 mA | 47.6 mA | 47.6 mA | |
| Operating temperature range (Relative humidity) | | - 10°C ~ + 55°C (Less than 90%) | | | | | |
| Mounting place | | Indoor only | | | | | |
| Mounting direction | | Upright & sideways | | | | | |
| Protection rating | | IP54 | | | | | |
| Vibration proof | | 19.6 m/s ² (30Hz) | | | | | |
| Insulation resistance | | To be measured by an insulation measuring device of 500VDC between the terminals and the chassis. More than 1MΩ | | | | | |
| Dielectric voltage | | 1500VAC being applied between the terminals and the chassis for 1 minute. Not braking insulation | | | | | |
| Luminous intensity | | Red | Amber | Green | Blue | White | |
| | | 1000mcd | 700mcd | 1000mcd | 300mcd | 1000mcd | |
| Mass | | 1light | 2lights | 3lights | 4lights | 5lights | |
| | | 0.38Kg | 0.46kg | 0.54kg | 0.62kg | 0.70Kg | |
| No. WME-. M2A-A18A(UL) - 1/2 | | | | | | | |
| | | <ul style="list-style-type: none"> ● This product confirms to the CE requirements and CE Marking is indicated. ● Recognized as UL standard. (Standard No.UL508, File No. E215660) ● The power consumption of one product is the value which added lights consumption to standing by power consumption. | | | | | |
| | |  | | | | | |
| PATLITE Corporation | | App.by | Chk.by | Drn.by | | | |
| | |  6 Mar '08 |  5 Mar '08 | | | | |