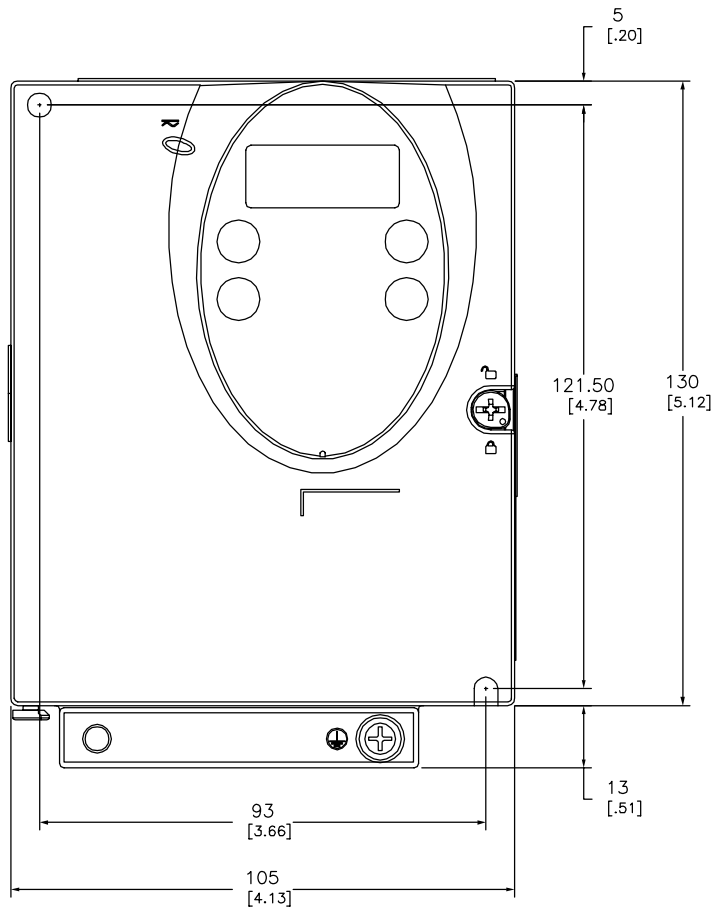


**Technical Characteristics**

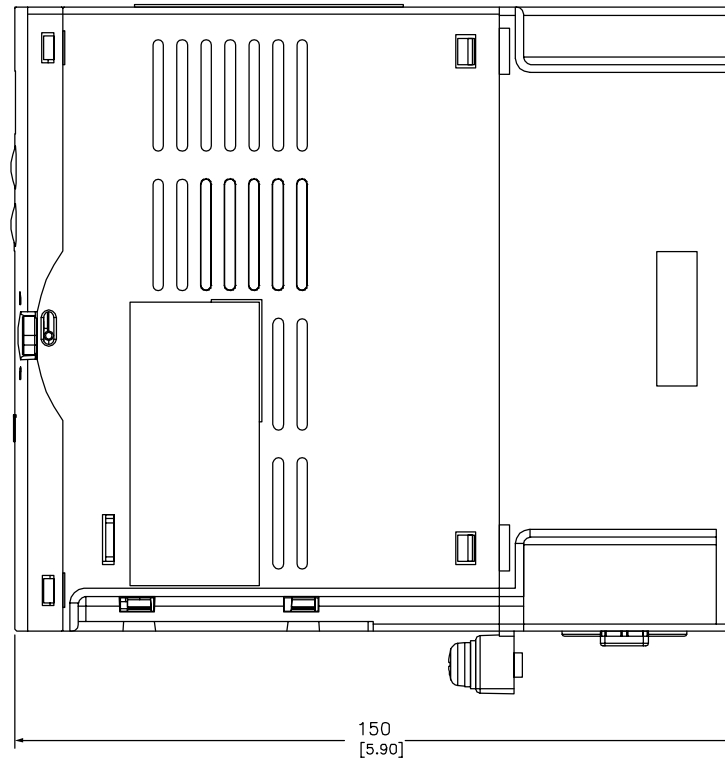
Operating Temperature Range	14 to 122 Degrees F (14 to 140 Degrees F without vent cover)
Output Current - Nominal	2.3A
Number of Functions	50
Input Current	3.6A@400VAC - 2.7A@460VAC
Horsepower Rating	1.0HP
Supply Voltage	400-460VAC
Marketing Trade Name	Altivar 31
Application	Industrial users and OEMs who specialize in material handling, pump, fan, packing, packaging and general purpose motor control
Catalog Reference Number	8800CT0401
Approvals	UL Listed File: E164874 CNN NMMS - CSA Certified File: LR96921 Class 3211 06 - CE Marked
For Use With	3-Phase asynchronous motors
Control Type	Sensorless Flux Vector
Enclosure Rating	IP20
Output Current - Transient	3.5A
Output Frequency Range	0 to 500Hz
Type	ATV31
Depth	5.91 Inches
Height	5.63 Inches
Output Voltage	Maximum output voltage equal to input voltage
Width	4.13 Inches
Weight	2.92 Pounds
Input Phase	3-Phase
Output Phase	3-Phase
Short Circuit Current Rating	5kA

**Shipping and Ordering**

Category	22152 -
Discount Schedule	CP4B
Article Number	785901413257
Package Quantity	1
Weight	4.67 lbs.
Availability Code	N
Returnability	Y



FRONT VIEW



RIGHT VIEW

CATALOG NUMBERS
ATV31HU11M2
ATV31HU15M2
ATV31HU22M3X
ATV31H037N4
ATV31H055N4
ATV31H075N4
ATV31HU11N4
ATV31HU15N4
ATV31H075S6X
ATV31HU15S6X

DUAL DIMENSIONS: MILLIMETERS  
INCHES

NOTES:  
INCHES CALCULATED FROM THE METRIC DIMENSIONS BY: 1 INCH = 25.4 MM

ATV31H VFD  
FRAME SIZE 6  
FRONT AND RIGHT VIEW



DWG#  
No. ATV3106