

Search

Product Portfolio

- [Oscilloscope Probes](#)
- [Logic Analyzer Probes/ P6400](#)
- [Logic Analyzer Probes/ P68/6900](#)
- [Optical Products](#)
- [Application Software](#)
- [Request a Catalog](#)
- [Product Finder](#)

Resources

- [Technical Information](#)
- [Manuals](#)
- [Software & Drivers](#)
- [Service & Support](#)
- [E-Newsletters](#)


What's New

- [Promotions](#)
- [News](#)
- [Events](#)



P5205.

Product Information

- [Introduction](#)
- [Characteristics/Specs](#)
- [Ordering Information](#)
-  [Print Data Sheet \(187kB\)](#)

Pricing Information

- [Check List Price](#)
- [Request a Quote](#)

Additional Resources

- [Find an Authorized Distributor](#)

High Voltage Differential Probes

P5200 • P5205 • P5210

Characteristics

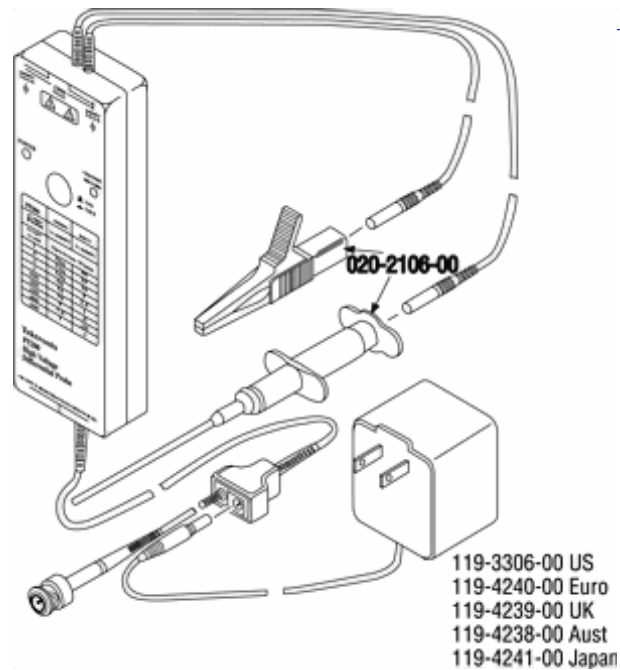
Specifications	P5200	P5205	P5210
Bandwidth (-3 dB)	25 MHz	100 MHz	50 MHz
Differential Mode Voltage (RMS or DC) (between positive and negative input leads)	1000 V CAT II	1000 V CAT II	4400 V
Differential Mode Voltage (Peak)*1 (between positive and negative input leads)	1300 V	1300 V	5600 V
Common Mode Voltage (RMS or DC + Pk AC) (between positive lead and ground or negative lead and ground)	1000 V CAT II 600 V CAT III	1000 V CAT II 600 V CAT III	2200 V CAT II 1000 V CAT III
Attenuation (switchable)	50X/500X	50X/500X	100X/1000X

CMRR @ 60 Hz/1 MHz (typical)	80 dB/50 dB	80 dB/50 dB	80 dB/50 dB
Input R (each input)	4 MΩ	4 MΩ	8 MΩ
Input C (each input)	7 pF	7 pF	7 pF
Power Source	AC wall adapter	TEKPROBE Power Supply	TEKPROBE Power Supply
Safety (all)	UL3111-1/CSA1010.1/CSA1010.2.031/IEC61010-2-031/EN61010-2-031		
Compatible Products	ALL* ³	TDS400/500/600/700/ TDS3000B/5000B/6000B* ² /7000B* ² / CSA7000B* ² and 11000 Series	TDS400/500/600/700/ TDS3000B/5000B/6000B* ² /7000B* ² / CSA7000B* ² and 11000 Series

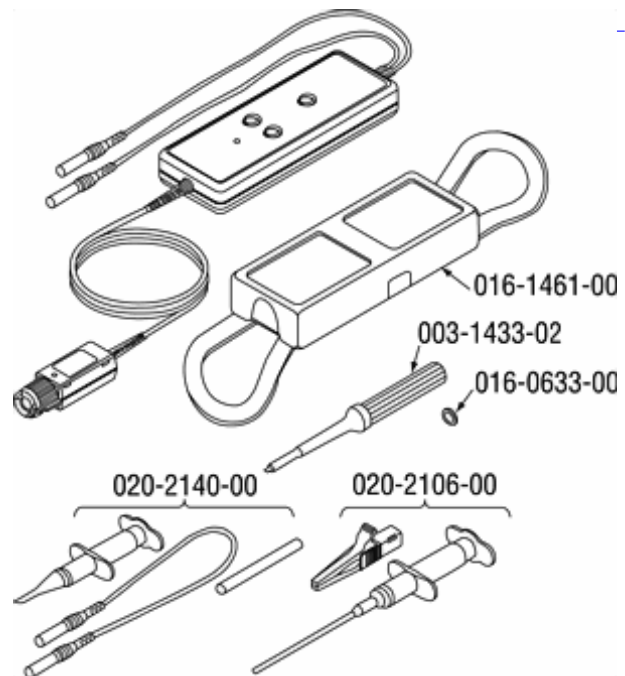
*1 The RMS value of the waveform shall not exceed the Common Mode Voltage (RMS) for either lead.

*2 TDS7154B, TDS7254B, TDS7404B, TDS6404, TDS6604, CSA7154, and CSA7404B require a TCA-1MEG Buffer Amplifier.

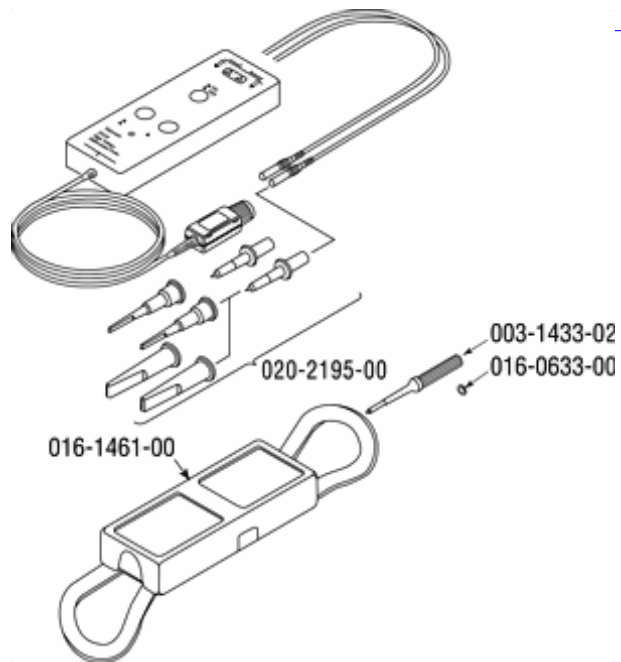
*3 **WARNING:** For safe operation, do not use the P5200 High Voltage Differential Probe with oscilloscopes that have floating inputs (isolated inputs), such as the Tektronix TPS2000 series oscilloscopes and THS700 series oscilloscopes. The P5200 High Voltage Differential Probe requires an oscilloscope or other measurement instrument with grounded inputs.



P5200.



P5205.



P5210.

[▲ back to top](#)

[Introduction](#)

[> Characteristics/Specs](#)

[Ordering Information](#)

[Print Data Sheet \(187kB\)](#)

[Check List Price](#)

[Request a Quote](#)

[Find an Authorized Distributor](#)

Product(s) not available in Europe.



Product(s) are manufactured in ISO registered facilities.

51W-11195-2, 08-AUG-2005



[Have an Account Manager Contact Me](#)



[Request a Demo](#)



[Email This Page](#)



[Printable Page](#)

Tektronix Site

[Home](#) | [Products](#) | [Support](#) | [Buy](#) | [Contact Us](#) | [Investors](#) | [Careers](#) | [International](#) | [myTek](#)

[Sitemap](#) | [© Copyright Tektronix, Inc.](#) | [Privacy Statement](#)