

Linear	Desktop
Enclosed or L Bracket	Open Frame
PCB Mount	Rack Mount Hot Swap

AC-DC Selector

Applications	# of Outputs	Output Power (W)													
		5	10	15	30	50	100	300	500	1000	1500	2500			
High Reliability Industrial (Five Year Warranty)	Single				NNS										
					HWS										
					JWS						LZSA				
	Dual			NND											
	Triple					JWT									
Industrial (Three Year Warranty)	Single & Multiple		HK-A (Single Output, 115VAC input)												
							NV								
				MTW						Vega					
										Alpha					
				LS											
Datacom Commercial (One - Two Year Warranty)	Single		KW, KPS, KM												
			ZWS, ZWSAF, ZWSPAF												
					DT										
					H										
					SC, SC120, ZP					SWS					
	Multiple			KW, KM											
					LWD, LWT										
					H										
					DT										
					SC, ZP										
						ZWD, ZWQ									
Programmable	Single							ZUP							
DIN Rail Mount	Single				DSP, DPP, DLP-PU*										
							DLP								

* See website

SWS600/1000L



Single Output Low Profile Power Supplies

- ◆ Low Cost
- ◆ Low Profile
- ◆ Active Power Factor Correction
- ◆ Universal Input (85 - 265VAC)
- ◆ Input Transient Protected IEC61000-4
- ◆ Low Acoustical noise
- ◆ Medical Certifications (SWS1000L)

RoHS

Key Market Segments & Applications

LED Signs	Test & Measurement
Automated Service	Medical equipment

Features and Benefits

Feature	Benefit
◆ Global safety Approvals	◆ Supports Global Use
◆ Power Factor Corrected	◆ Supports Global Use
◆ Variable speed fan	◆ Greater reliability & lower acoustical noise

Specifications

MODEL		SWS600L	SWS1000L
ITEMS			
Input Voltage range	-	85 - 265VAC (47 - 63Hz) or 120 - 350VDC	
Inrush Current (115 / 230VAC)	A	20 / 40	
Power Factor	-	Meets EN61000-3-2 Class A	
Input Current (100/200VAC)	A	7.1 / 3.6 (3.3V: 5 / 2.5)	12 / 6
Temperature Coefficient	-	<0.02%/°C	
Overcurrent Protection	-	>105%, Constant current style	
Overvoltage Protection	V	125% -145%	
Overtemperature Protection	-	Yes, cycle AC or Remote On/Off to reset	
Hold Up Time (Typ)	ms	20ms at 115/230VAC	
Leakage Current (max)	mA	<0.75mA	100µA at 115VAC 60Hz(2)
Remote Sense	-	Yes	
Parallel Connection	-	Yes	
Remote On/Off (CNT)	-	Yes	
Voltage Programming (1)	-	Yes, 1-6V adjusts output from 20 - 120% of nominal	
DC Good & Fan Fail Signal	-	Yes, open collector output	
Auxiliary Output	-	12V 0.1A	
LED Indicator	-	Green LED = On	
Operating Temperature	-	-40°C start up. -20 to 74°C, derating linearly to 50% load above 50°C	
Storage Temperature	-	-40 to +85°C	
Humidity (non condensing)	-	20 - 90% RH operating, 10 - 95%RH non operating	
Cooling	-	Variable speed internal fan	
Withstand Voltage(One minute)	-	Input to Ground 2kVAC, Input to Output 3kVAC, Output to Ground 500VAC, Output to CNT 100VAC	Input to Ground 2kVAC, Input to Output 4kVAC, Output to Ground 500VAC, Output to CNT 100VAC
Isolation Resistance	-	>50M at 25C & 70%RH, Output to Ground 500VDC	
Vibration (non operating)	-	MIL-STD-810F 514.5 Cat. 4,10	
Shock (in packaging)	-	MIL-STD-810F 516.5 Procedure I, VI	
Immunity	-	EN61000-4-2, -3, -4, -5, -6, -8, -11	
Safety Agency Certification	-	UL, CSA, EN60950-1, UL60601-1 (1000W only), IEC61010-1 (600W only), EN50178, CE Mark	
Conducted & Radiated EMI	-	EN55011 / EN55022-B, FCC Class B	
Weight (Typ)	g	1600	2300
Size (WxHxD)	in	2.4 x 4.72 x 7.48"	2.4 x 5.91 x 9.45"
Warranty	yrs	Three Years	

(1) Not available on 3.3V & 5V SWS1000L models

(2) 300uA worse case, 265VAC 63Hz

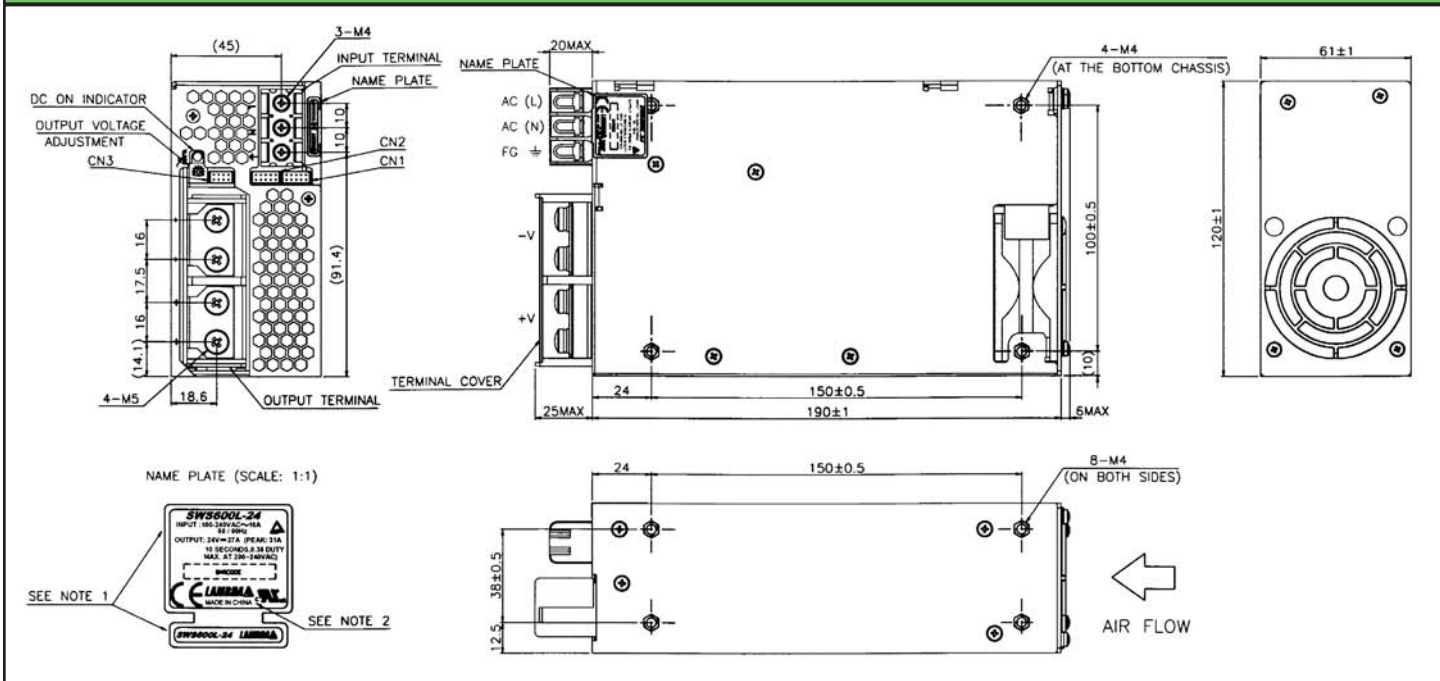
Model Selector

Model	Voltage	Adjust Range	Max Curr. (A)	Max Pwr (W)	Load Reg (mV)	Line Reg (mV)	Ripple Noise (mV)	Eff. (3) (typ)%
SWS600L-3	3.3V	2.64 - 3.96V	120A	396W	30	20	120	70 / 72
SWS1000L-3	3.3V	2.64 - 3.96V	200A	660W	30	20	120	74 / 76
SWS600L-5	5V	4 - 6V	120A	600W	30	20	120	75 / 77
SWS1000L-5	5V	4 - 6V	200A	1000W	30	20	120	79 / 81
SWS600L-12	12V	9.6 - 14.4V	53A	636W	72	48	150	79 / 82
SWS1000L-12	12V	9.6 - 14.4V	88A	1056W	72	48	150	82 / 84
SWS600L-15	15V	12 - 19.5V	43A	645W	90	60	150	79 / 82
SWS1000L-15	15V	12 - 19.5V	70A	1050W	90	60	150	82 / 84
SWS600L-24	24V	19.2 - 28.8V	27A (31A) ⁴	648W(744W)	144	96	150	81 / 84
SWS1000L-24	24V	19.2 - 28.8V	44A (51A) ⁴	1056W(1224W)	144	96	150	84 / 86
SWS600L-36	36V	28.8 - 43.2V	18A	648W	216	144	200	82 / 84
SWS1000L-36	36V	28.8 - 43.2V	29A	1044W	216	144	200	84 / 86
SWS600L-48	48V	38.4 - 56V	13A (15A) ⁴	624W(720W)	288	192	200	82 / 84
SWS1000L-48	48V	38.4 - 56V	22A (25A) ⁴	1056W(1200W)	288	192	200	84 / 86
SWS600L-60	60V	48 - 66V	10A	600W	360	240	200	82 / 84
SWS1000L-60	60V	48 - 66V	17A	1020W	360	240	200	84 / 86

Notes: (3) 115 / 230VAC

(4) Peak current and power possible at 170-26VAC input, 10s max, 35% duty cycle

SWS600L Outline Drawing



Other Lambda Industrial Products

- SWS 50 - 300W Single Output
- HWS 15 - 1800W Single output, high reliability
- ZWS 5 - 240W pcb style single, output
- DLP, DPP, DSP 10 - 480W DIN Rail mount
- LS 25 - 150W Single output, low cost