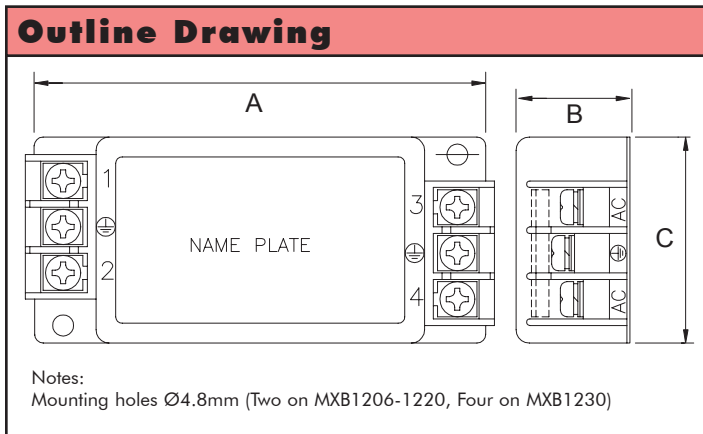




- Features**
- ◆ Two Stage for High Attenuation
 - ◆ Screw Terminals with Cover
 - ◆ Improved Performance over MB Series

Specifications		MODELS	MXB1206-33	MXB1210-33	MXB1220-33	MXB1230-33
ITEMS						
Rated Voltage (AC,DC)	V	250V				
Rated Current (AC,DC) (1)	A	6	10	20	30	
Test Voltage (terminal to case, AC 1 min.)	V	2500V (20mA) at 25°C, 70% RH				
Isolation Resistance (terminal to case, 500VDC)	Ω	100MΩ min. at 25°C, 70% RH				
Leakage Current	-	125V, 60Hz, 0.5mA max.; 250V, 60Hz, 1.0mA max.				
DC Resistance	mΩ	300 max.	100 max.	20 max.	10 max.	
Temperature Rise	°C	35°C max.			40°C max.	
Operating Temperature (1)	°C	-25 to +85°C				
Operating Humidity	%	30% to 90% RH (non-condensing)				
Storage Temperature	°C	-30 to +85°C				
Storage Humidity	%	10% to 95% RH (non-condensing)				
Vibration	-	Sweep:10-55-10Hz (1min.), Amplitude 1.5mm X, Y, and Z axes, 2 hours each				
Safety Standard	-	Approved by UL1283, CSA C22.2 No.8 (C-UL), EN133200 (VDE0565)				

Notes:
 (1) Value at Ta ≤ 50°C. Refer to the derating curve at Ta > 50°C.
 (2) Value at Ta ≤ 45°C. Refer to the derating curve at Ta > 45°C.
 (3) See Derating Curve.



Dimensions

Model	L x H x W (mm)			Weight (g)
	A	B	C	
MXB1206-33	111	26	47	220
MXB1210-33	121	30	47	310
MXB1220-33	151	35	52	530
MXB1230-33	151	35	67	660