

Linear	Desktop
Enclosed or L Bracket	Open Frame
PCB Mount	Rack Mount Hot Swap

# AC-DC Selector

Applications	# of Outputs	Output Power (W)												
		5	10	15	30	50	100	300	500	1000	1500	2500		
High Reliability Industrial (Five Year Warranty)	Single				NNS									
					HWS									
							JWS							
										LZSA				
	Dual			NND										
	Triple					JWT								
Industrial (Three Year Warranty)	Single & Multiple			HK-A (Single Output, 115VAC input)										
								NV						
					MTW									
									Vega					
											Alpha			
				LS										
Datacom Commercial (One - Two Year Warranty)	Single		KW, KPS, KM											
			ZWS, ZWSAF, ZWSPAF											
					DT									
					H									
					SC, SC120, ZP									
							SWS							
								PFE						
										FPS (1U)				
										TH (1U)				
		Multiple		KW, KM										
				LWD, LWT										
				H										
				DT										
					SC, ZP									
						ZWD, ZWQ								
Programmable	Single							ZUP						
DIN Rail Mount	Single				DSP, DPP, DLP-PU*									
							DLP							

\* See website



## Low Profile Dual & Triple Output

- ◆ 26mm height
- ◆ Outputs 2 and 3 isolated from output 1
- ◆ Universal Input (85 - 265VAC)

**RoHS**

### Key Market Segments & Applications

Factory Automation	Process Control, NC-Machining, Automotive, Packaging Equipment, Materials Handling, Chemical Processing, Robots
Test & Measurement	Burn-in & Test, Automated Test, Instrumentation, Measurement, Detection
Automated Service	Vending Machines, Elevators, Video Gaming, Point of Sale Equipment

### Features and Benefits

#### Feature

- ◆ Low Profile
- ◆ Isolated 2nd and 3rd outputs
- ◆ Wattbox design on LWT

#### Benefit

- ◆ Assists System Integration
- ◆ Enable series operation for higher voltages
- ◆ Power trading between outputs

### Specifications

MODEL		LWD15	LWD30	LWT15H	LWT30H	LWT50H
ITEMS						
Max Output Power (typ)	W	15	30	17	30	50
Efficiency (Typ)	%	64	70	72	73	72
AC Input Voltage range	-	85 - 265VAC (47 - 440Hz)				
DC Input Voltage range	-	110 - 350VDC				110 - 330VDC
Input Current Typ (100/200VAC)	A	0.4/0.2	0.72/0.36	0.4/0.22	0.7/0.42	1.2/0/7
Inrush Current (110/200VAC)	A	17/34	14/28	14/28	16/32	16/32
Output 1 Voltage Adjustment	-	5V: 5 to 5.25V, 12V: 12 to 12.6V, 15V: 15V to 15.75V				
Output Voltage Accuracy	-	Output 2 ±5%		Output 2 & 3 ±5%		
Temperature Coefficient	-	Output 1 < 1%, Output 2 or 3, <2% at 0 - 60°C				
Line Regulation	-	1%				
Load Regulation	-	2%				
Ripple & Noise	-	5V:100mV, 12V & 15V: 150mV, 24V: 200mV		Output 1: 100mV, Outputs 2 & 3: 150mV		
Overcurrent Protection	-	>105%				
Overvoltage Protection	V	Main output only: 5.75 - 6.75V, manual reset				
Hold Up Time (Typ at 100VAC)	ms	20				
Series Operation	-	Possible				
Operating Temperature	-	LWD: 0°C to +60°C, derate as follows: 40°C: 100%, 50°C: 60%, 60°C: 40% LWT: 0°C to +60°C, derate as follows: 40°C: 100%, 50°C: 80%, 60°C: 60%				
Storage Temperature	°C	-30 to +85°C				
Operating Humidity	-	30 - 90% RH (Non condensing)				
Storage Humidity	-	10 - 95% RH (Non condensing)				
Cooling	-	Convection				
Withstand Voltage	-	Input to Gnd, Input to Output 2kVAC (20mA)		Input to Gnd 2kVAC Input to Output 3kVAC (20mA)		
Isolation Resistance	-	>100M at 25C & 70%RH, Output to Ground 500VDC				
Vibration (non operating)	-	19.6m/s <sup>2</sup>		10-55Hz(1 min) <19.6m/s <sup>2</sup> (1 hr)		
Shock	-	196.1m/s <sup>2</sup>				
Safety Agency Approvals (1)	-	UL60950-1, CSA60950-1, EN60950-1, CE LVD		UL60950-1, CSA60950-1, EN60950-1, CE LVD		
Conducted EMI	-	FCC Class A		VDE Class B, FCC Class B		
Weight (Typ)	g	180	250	220	300	400
Size (WxHxD)	mm	Please refer to outline drawings				
Warranty	-	One Year				

(1) LWD Series approved as ELV

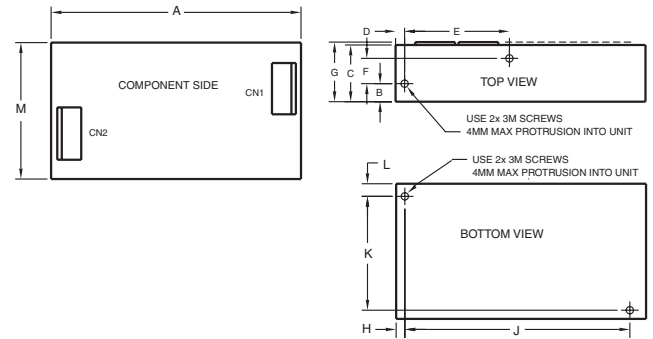
\* LWT models only

Note: See Installation Manual for full details, test methods of parameters and application notes

## Output Ratings

Model	Output	Voltage	Min Current	Max Current
LWD15-0512	V1	5V	0.0	1.5
	V2	12V	0.0	0.6
LWD15-0524	V1	5V	0.0	1.5
	V2	24V	0.0	0.3
LWD15-1212	V1	12V	0.0	0.6
	V2	12V	0.0	0.6
LWD15-1224	V1	12V	0.0	0.6
	V2	24V	0.0	0.3
LWD15-1515	V1	15V	0.0	0.5
	V2	15V	0.0	0.5
LWD30-0512	V1	5V	0.0	3.0
	V2	12V	0.0	1.2
LWD30-0524	V1	5V	0.0	3.0
	V2	24V	0.0	0.6
LWD30-1212	V1	12V	0.0	1.2
	V2	12V	0.0	1.2
LWD30-1224	V1	12V	0.0	1.2
	V2	24V	0.0	0.6
LWD30-1515	V1	15V	0.0	1.0
	V2	15V	0.0	1.0
LWT15H-522	V1	5V	0.5	3.0
	V2	+12V	0.0	0.6
	V3	-12V	0.0	0.4
LWT15H-5FF	V1	5V	0.5	3.0
	V2	+15V	0.0	0.6
	V3	-15V	0.0	0.4
LWT15H-525	V1	5V	0.5	3.0
	V2	+12V	0.0	0.6
	V3	-5V	0.0	0.4
LWT30H-522	V1	5V	0.7	5.0
	V2	+12V	0.0	1.2
	V3	-12V	0.0	0.6
LWT30H-5FF	V1	5V	0.7	5.0
	V2	+15V	0.0	1.2
	V3	-15V	0.0	0.6
LWT30H-525	V1	5V	0.7	5.0
	V2	+12V	0.0	1.2
	V3	-5V	0.0	0.6
LWT50H-522	V1	5V	1.0	8.0
	V2	+12V	0.0	1.5
	V3	-12V	0.0	1.0
LWT50H-5FF	V1	5V	1.0	8.0
	V2	+15V	0.0	1.5
	V3	-15V	0.0	1.0
LWT50H-525	V1	5V	1.0	8.0
	V2	+12V	0.0	1.5
	V3	-5V	0.0	1.0

## LW Outline Drawing



DIMENSIONS:

MODEL	A	B	C	D	E	F	G	H	J	K	L	M	WEIGHT: MODEL	LBS
LWT-15	5.03 (128.0)	.31 (7.9)	.98 (25.0)	.15 (3.8)	1.811 (46.0)	.433 (11.0)	1.02 (26.0)	.15 (3.8)	3.897 (99.0)	1.988 (50.5)	.21 (5.5)	2.36 (59.9)	LWT-15	.50
LWT-30	6.29 (160.0)	.47 (12.0)	.98 (25.0)	1.77 (45.0)	3.937 (99.9)	.314 (8.0)	1.02 (26.0)	.66 (17.0)	5.433 (138.0)	.905 (23.0)	1.69 (43.0)	2.75 (70.0)	LWT-30	.70
LWT-50	6.29 (159.7)	.35 (8.8)	1.02 (26.0)	.39 (10.0)	4.625 (117.5)	.433 (11.0)	-	1.67 (42.4)	3.602 (91.5)	3.228 (82.0)	.31 (7.8)	3.82 (97.0)	LWT-50	1.00
LWD-15	4.32 (109.7)	.31 (7.9)	.98 (25.0)	.15 (3.8)	1.812 (46.0)	.437 (11.0)	1.03 (26.1)	.15 (3.8)	3.890 (98.8)	1.988 (50.5)	.21 (5.3)	2.36 (59.9)	LWD-15	.50
LWD-30	5.75 (146.0)	.48 (12.1)	.98 (25.0)	1.37 (34.9)	3.937 (99.9)	.312 (7.9)	1.03 (26.1)	.28 (7.1)	5.437 (138.0)	.906 (23.0)	1.29 (32.7)	2.36 (59.9)	LWD-30	.70
LWD-50	6.29 (159.7)	.35 (8.8)	.98 (25.0)	.39 (9.9)	4.625 (117.4)	.437 (11.0)	1.03 (26.1)	1.67 (42.4)	5.437 (138.0)	3.234 (82.1)	.31 (7.8)	3.81 (96.7)	LWD-50	1.00

1. DIMENSIONS ARE IN INCHES EXCEPT DIMENSIONS IN ( ) ARE IN MM.
2. 4x M3 TAPPED HOLES FOR CUSTOMER MTG. SCREWS MUST NOT PROTRUDE INTO P.S. BY MORE THAN .15 (4) MAX.

## Other Lambda Industrial Products

HWS	15W-1500W Single output
ZWQ	80W-170W Quad output
ZP	20W-60W Single, dual & triple output
LS	25-150W Single output, low cost