

product specs: standard lithium cells



Extended Temperature Series - Wafer Cells

Model Data Sheet	Cell Size Ref	Catalog No.	Nominal Voltage (V)	Nominal Capacity (Ah)	Nominal Discharge Current (mA)	Temperature range (°C)	Maximum Dimensions				Available Terminations
							Diameter		Height		
							(mm)	(in)	(mm)	(in)	
TLH-2450	2450	15-2450-41530	3.6	0.55	0.5	-55° to 125°	24.5	0.947	6.2	0.244	P
TLH-5934	1/10 D	15-5934-41505	3.6	0.9	1	-55° to 125°	32.9	1.295	6.5	0.256	P
TLH-5935	1/6 D	15-5935-41505	3.6	1.5	1	-55° to 125°	32.9	1.295	10.2	0.401	P

NOTES:

Customized terminations are available upon request.

MODEL TLH-5934

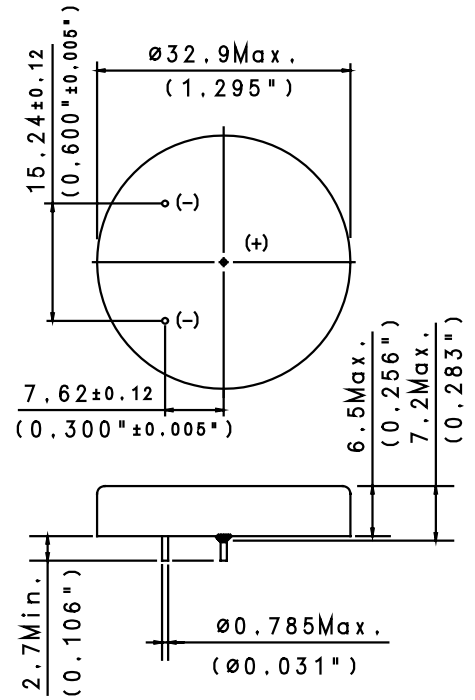
International size reference: 1/10D, ER32L65

TECHNICAL DATA

(Typical values @+25°C for batteries stored for one year or less)

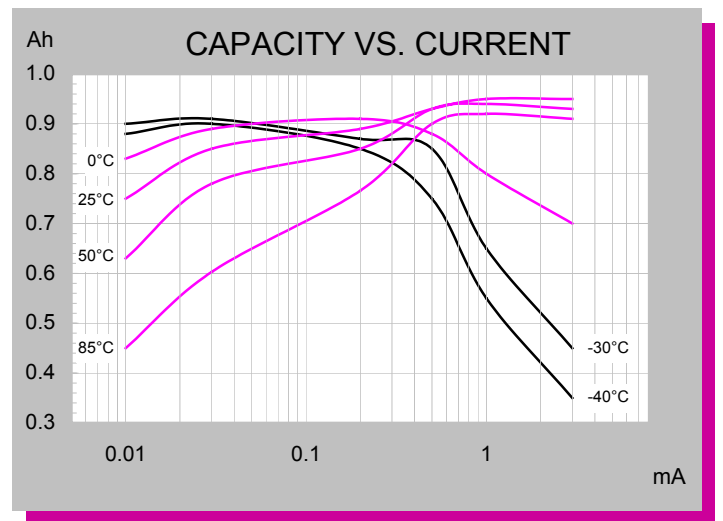
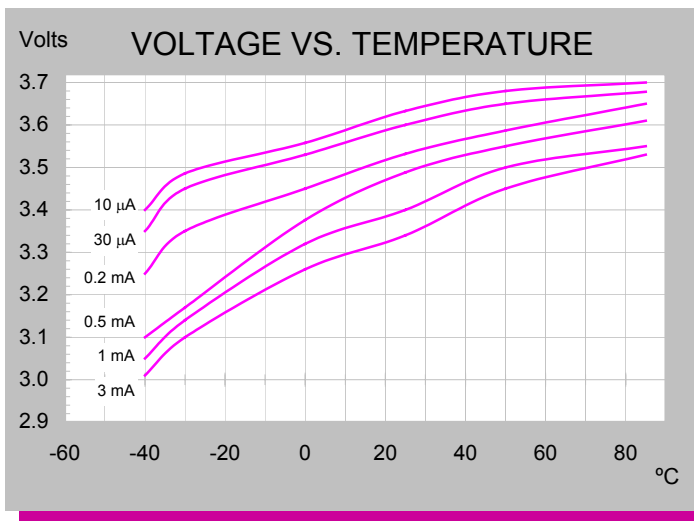
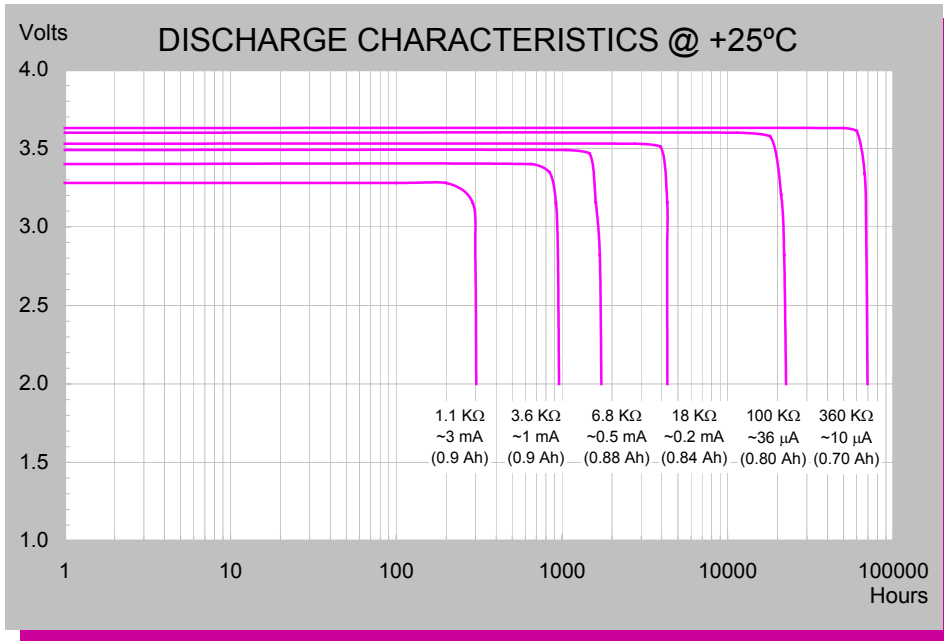
■ Nominal capacity @ 1 mA, to 2 V	0.9 Ah
■ Rated voltage	3.6 V
■ Maximum recommended continuous current	10 mA
■ Maximum pulse current capability	50 mA
■ Weight	16.3 g (0.57 oz)
■ Volume	5.2 cc
■ Operating temperature range	-55 °C to +125 °C
■ Li metal content	approx. 0.3 g
■ U.L. Component Recognition, MH 12193	

TADIRAN LITHIUM BATTERIES



ORDERING NO.

TERMINAL MATERIAL : TIN PLATED NICKEL
CATALOGUE NO. : 15-5934-41505



Extended Temperature Range

Note: Any presentations in this data sheet concerning performance are for information purpose only and are not construed as warranties either expressed or implied, of future performance.

ECN 1501187