

JACKS AND PLUGS

Subminiature Power Jacks

Switchcraft introduces a new series of sub-miniature power jacks. These sub-miniature power jacks feature ultra-compact housings and pin diameters as small as 0.65mm. Available in PC mount and true surface mount, with other options including open frame and shielded versions. All SMT versions come on tape and reel. Contact Switchcraft for exact reel dimensions.

Features and Benefits

- SMT mounting
- Tape and reel packaging
- Wide variety of circuits

Applications

- Computer
- Video Cameras
- Personal/Portable Audio Devices
- Multimedia

Specifications

Material

Housing: Black nylon
Sleeve, ring, and tip terminals: Tin, silver-plated
Shunt terminal: Brass, silver-plated

Electrical

Current Rating: 3A
Contact Resistance: <50 mohms
Insulation Resistance: 100 mohms (min.)
Dielectric Withstanding Voltage: 250VAC@ 1 minute

Mechanical

Lifecycles: 5,000
Operating Temperature: -25 to +85 C

Ordering Information

Part Number	Description
RAPC742	PC mount, 1mm pin
RASM742TR	SMT mount, 1mm pin
RAPC732OF	Open frame, PC mount, 1.3mm pin
RAPC742OF	Open frame, PC mount, 1mm pin
RAPC752	PC mount, 0.65mm pin
RAPC752S	Shielded, PC mount, 0.65mm pin
RASM752TR	SMT mount, 0.65mm pin
RASM752STR	Shielded, SMT mount, 0.65mm pin

PRODUCT BULLETIN 547



RAPC732OF



RAPC742



RASM752STR



RASM742TR

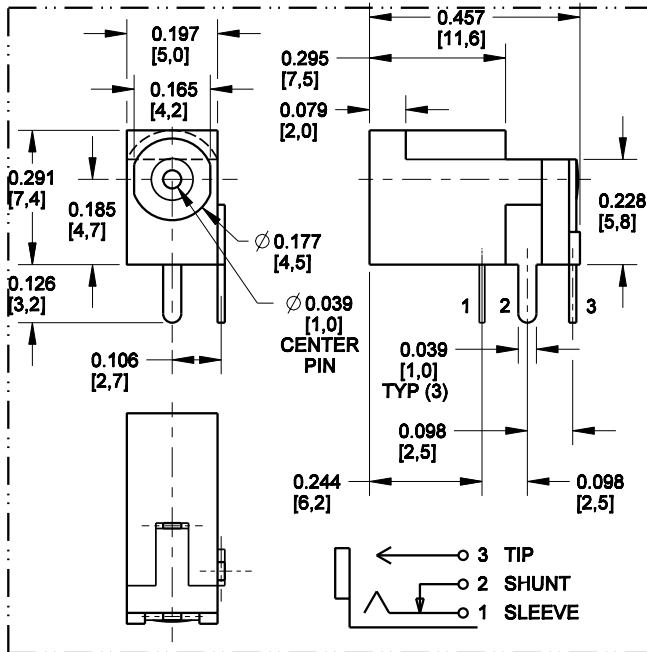


RASM752TR

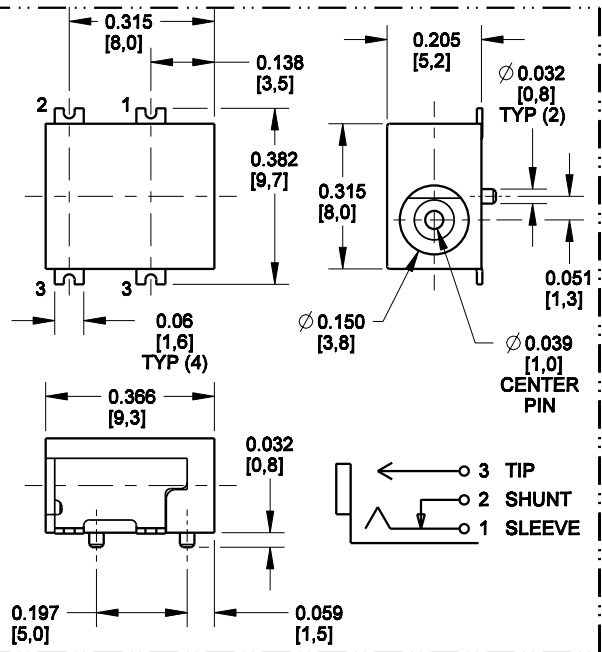
Switchcraft®

www.switchcraft.com

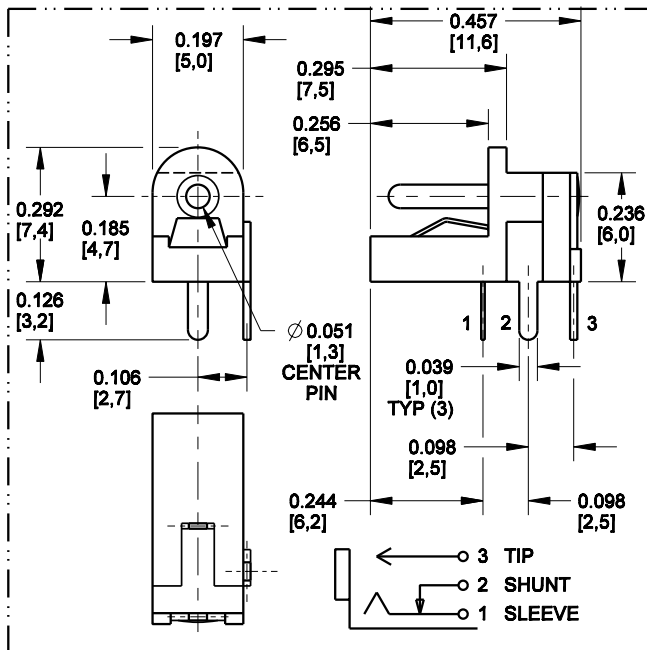
RAPC742



RASM742TR



RAPC7320F



RAPC7420F

