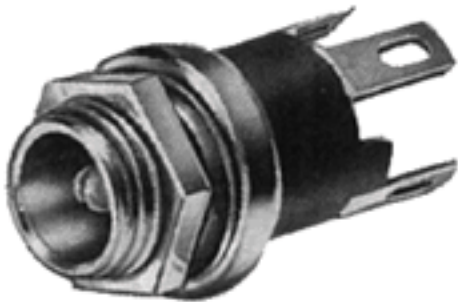


Switchcraft®

[Previous Page](#) | [Return to Index](#) | [Next Page](#)

1



2



3



4



STRAIGHT MINIATURE POWER JACKS

1. 712A

2. **PC712A**
3. **2C1072**
4. **L722A**

[click here to download a schematic drawing](#)

(you will need to have Adobe Acrobat installed on your system to do this)



FEATURES

*2 conductor jack.

*Automatic switch over from AC to DC permitted by sleeve shunt spring.

*Split center pin shaped to hold mating plug firmly. (732A available in solid center pin only.)

*Choose solder lug or PC terminal. (732A not available in PC terminal.)

*Bushing length available as .219" or extended .319 to permit use in thicker panels. (732A not available in extended length.)

*L712A and PCL712A accept plugs with .475" long, 0.099" diameter sleeve.

*L722A and PCL722A accept plugs with .475" long, 0.08" diameter sleeve.

MOUNTING

Part Numbers 712A, 722A and 732A - Mounts in .313 inch diameter hole in panels up to .125 inches thick (maximum).

Part Numbers PC712A and PC722A - Same as 712A. See drawing for PC board layout.

Part Number 2C1072 - Jack covers for 712A, 722A and 732A - special order only.

For insulated mounting, two insulated washers are available on special order. Mounting hole diameter is .375 inches. See "Insulated Mounting" drawing.

Part Number P2442 - Phenolic flat washer.

Part Number S4263 - Swedged fiber washer.

SPECIFICATIONS

MECHANICAL

Life: 10,000 insertion/withdrawal cycles minimum.

Insertion/Withdrawal Forces: 3 pound insertion (maximum), 4 ounce minimum withdrawal.

Part Numbers 712A, PC712A, 722A, PC722A, 732A

ELECTRICAL

Contact Resistance: .01 ohms maximum (initial),

.02 ohms maximum (after humidity, durability exposure),

.1 ohms maximum (after salt spray).

Insulation Resistance: 10,000 M(ohm) minimum (initial),

1,000 M(ohm) minimum (after humidity, durability exposure).

Dielectric Withstanding Voltage: 500 V AC maximum.

Contact Rating: 5 A, 12 V DC. resistive.

MATERIAL

Housing: Molded plastic.

Mounting Bushing and Hex Nut: Plated copper alloy.

Pin, Spring and Terminals: Plated copper alloy.

Insulators: Rigid plastic.

Hardware: Supplied with one **Number P2439** nickel-plated brass hex nut, and one **Number P2441**

nickel-plated steel flat washer.

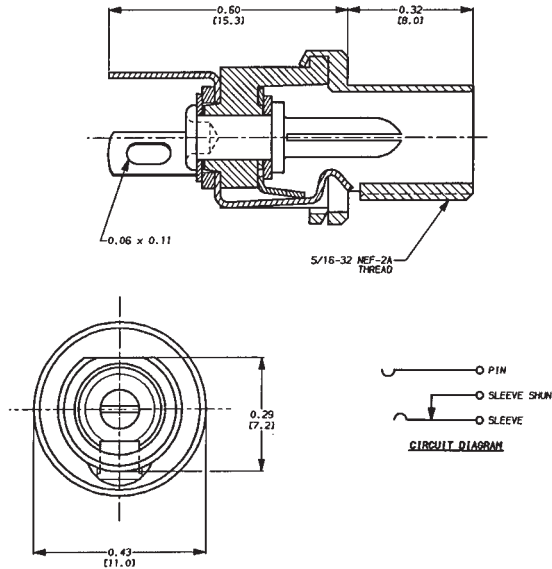
Part Number	Description	Outside Diameter*	Typical Mating Plug**
712A	Solder lugs	0.1 inches (.097-.099)	760
PC712A	PC terminals		760K
L712A	Longer Bushing		761K
722A	Solder lugs	0.08 inches (.075-.077)	S760
PC722A	PC terminals		S760K
L722A	Longer Bushing		S761K
732A	Solder lugs	0.05 inches	860

* Center pin diameter.

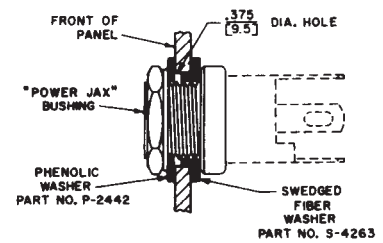
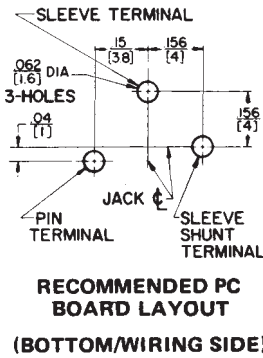
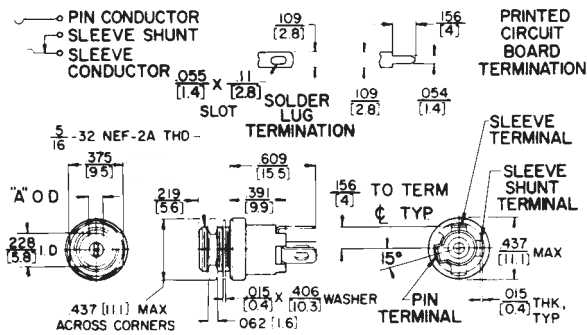
** Other mating Plugs are available.

MM CONVERSIONS					
Series	Catalog Dimension	+ tol/- tol	Range	mm equivalent	Use
PC712A	0.156			3.9624	3.96
	0.150			3.81	3.81
	0.062			1.5748	1.57
	0.040			1.016	1.02
	0.406			10.3124	10.31
	0.216			5.4864	5.49
	0.446			11.3284	11.33
	0.46875			11.90625	11.90

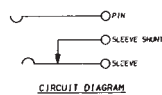
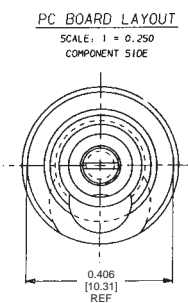
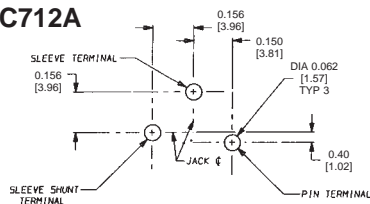
STRAIGHT MINIATURE POWER JACKS



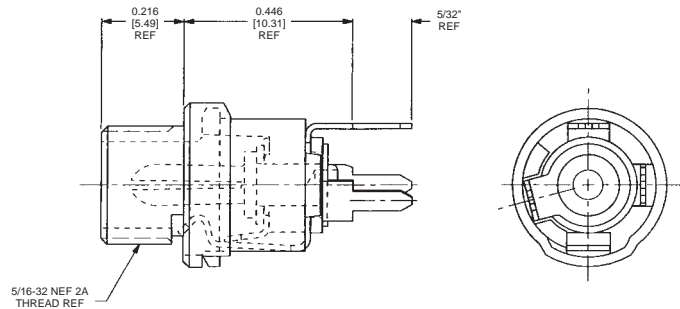
712A



PC712A



	CENTER PIN
RAPC 712	.097 - .099" (2.46 - 2.52 mm)
RAPC 722	.075 - .077" (1.91 - 1.96 mm)



RAPC 722

DIMENSIONS ARE FOR REFERENCE ONLY $\frac{\text{Inch}}{\text{(mm)}}$

NOTE: Contact your Switchcraft Representative for price and delivery.