


## HBL2435 -- Twist-Lock Flanged Inlet

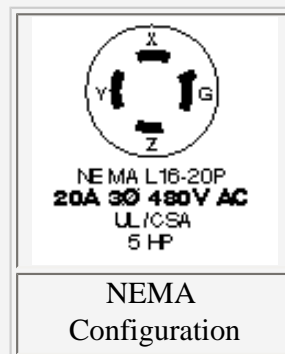


3P4W, 20A 3PH 480V AC, L16-20R, White Nylon

### Product Specifications

|                                   |                                                                                                                                                    |
|-----------------------------------|----------------------------------------------------------------------------------------------------------------------------------------------------|
| <b>Product Type</b>               |  <p style="text-align: center;"><b>Twist-Lock<br/>Devices</b></p> |
| <b>Product Item</b>               | Flanged Inlet                                                                                                                                      |
| <b>Wiring Scheme</b>              | 3 Pole, 4 Wire Grounding                                                                                                                           |
| <b>Amperage</b>                   | 20A                                                                                                                                                |
| <b>Voltage</b>                    | 3 Phase 480V AC                                                                                                                                    |
| <b>NEMA Configuration</b>         | L16-20P                                                                                                                                            |
| <b>Item Style</b>                 | Standard                                                                                                                                           |
| <b>Device Color</b>               | White                                                                                                                                              |
| <b>Terminal Retainer Material</b> | Clear polycarbonate                                                                                                                                |
| <b>Blade Material</b>             | Brass                                                                                                                                              |
| <b>Terminal Clamp Material</b>    | .08" (2) steel-nickel plated                                                                                                                       |
| <b>Terminal Screw Material</b>    | #10-32 Brass (white finish on neutral screw when used) Multi-drive                                                                                 |
| <b>Ground Screw Material</b>      | #10-32 Brass (green finish) Multi-drive                                                                                                            |

|                                      |                                                                                                                                |
|--------------------------------------|--------------------------------------------------------------------------------------------------------------------------------|
| <b>Body Holding Screw Material</b>   | Steel, zinc plated Multi-drive                                                                                                 |
| <b>Body Contact Carrier Material</b> | Natural White Nylon                                                                                                            |
| <b>Flanged Casing Material</b>       | Natural White Nylon                                                                                                            |
| <b>Mounting Screw Material</b>       | Nickel-plated Brass Round head screws                                                                                          |
| <b>Ratings</b>                       | Molded into face                                                                                                               |
| <b>Catalog No.</b>                   | Permanently ink marked on casing                                                                                               |
| <b>Dielectric Voltage Withstand</b>  | 2,000V minimum.                                                                                                                |
| <b>Current Interrupting</b>          | Certified for current interrupting at full rated current.                                                                      |
| <b>Temperature Rise</b>              | Max 30 C temperature rise at full rated current after 50 cycles of overload at 150% of rated current at a power factor of .75. |
| <b>Terminal Accommodation</b>        | 20A #12 AWG                                                                                                                    |
| <b>Terminal Identification</b>       | Terminals identified in accordance with UL 498 (X, Y, Z, White, Green)                                                         |
| <b>Flammability</b>                  | HB or better per UL 94 or CSA 22.2 No. 0.6                                                                                     |
| <b>Operating Temperatures</b>        | Maximum Continuous 75 C Minimum -40 C (w/o impact)                                                                             |
| <b>Listings</b>                      | FED SPEC UL/CSA                                                                                                                |
| <b>Feature Info</b>                  | Nylon casing, back wired.                                                                                                      |
| <b>Catalog Page</b>                  | <a href="#">Click here for catalog page B37</a>                                                                                |
| <b>Brochures</b>                     | <a href="#">Click here for product brochure</a>                                                                                |
| <b>Hubbellnet</b>                    | <a href="#">Click here for Hubbellnet</a>                                                                                      |
| <b>Catalog Section</b>               | <a href="#">Click here for Section-B</a>                                                                                       |
| <b>UPC Number</b>                    | 78358503832                                                                                                                    |
| <b>Weight in LBs</b>                 | 0.25                                                                                                                           |



## TWIST-LOCK® Devices

### 3 Pole, 4 Wire Grounding

20 Ampere, 125/250 Volts, 3Ø 250 and 3Ø 480 Volts AC

Receptacles, INSULGRIP® Connector Bodies, Flanged Devices and Plugs



NEMA L14-20R  
20A 125/250V AC  
UL/CSA  
2 (1) HP



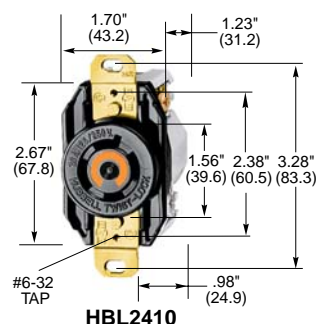
NEMA L15-20R  
20A 3Ø 250V AC  
UL/CSA  
3 HP



NEMA L16-20R  
20A 3Ø 480V AC  
UL/CSA  
5 HP

#### Single Flush Receptacles, Back and Side Wired

| Description                         | Catalog Numbers |                |                |
|-------------------------------------|-----------------|----------------|----------------|
| Black nylon face.                   | <b>HBL2410</b>  | <b>HBL2420</b> | <b>HBL2430</b> |
| Isolated ground, orange nylon face. | <b>IG2410</b>   | <b>IG2420</b>  | -              |



#### Insulgrip Connector Bodies IP20 SUITABILITY

| Description                        | Catalog Numbers  |                  |                  |
|------------------------------------|------------------|------------------|------------------|
| Black and white nylon.             | <b>HBL2413</b>   | <b>HBL2423</b>   | <b>HBL2433</b>   |
| Corrosion resistant, yellow nylon. | <b>HBL24CM13</b> | <b>HBL24CM23</b> | <b>HBL24CM33</b> |

Note: Cord clamp range .35"-1.15" (9-29).



#### Insulgrip Flanged Receptacles

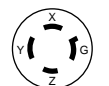
| Description               | Catalog Numbers |                |                |
|---------------------------|-----------------|----------------|----------------|
| Nylon casing, back wired. | <b>HBL2416</b>  | <b>HBL2426</b> | <b>HBL2436</b> |



NEMA L14-20P  
20A 125/250V AC  
UL/CSA  
2 (1) HP



NEMA L15-20P  
20A 3Ø 250V AC  
UL/CSA  
3 HP



NEMA L16-20P  
20A 3Ø 480V AC  
UL/CSA  
5 HP

#### Insulgrip Plugs IP20 SUITABILITY

| Description                        | Catalog Numbers  |                  |                  |
|------------------------------------|------------------|------------------|------------------|
| Black and white nylon.             | <b>HBL2411</b>   | <b>HBL2421</b>   | <b>HBL2431</b>   |
| Corrosion resistant, yellow nylon. | <b>HBL24CM11</b> | <b>HBL24CM21</b> | <b>HBL24CM31</b> |

Notes: Cord clamp range .35"-1.15" (9-29).  
See page B-73 for Add-A-Shroud™ kit.



#### Insulgrip Flanged Inlets

| Description               | Catalog Numbers |                |                |
|---------------------------|-----------------|----------------|----------------|
| Nylon casing, back wired. | <b>HBL2415</b>  | <b>HBL2425</b> | <b>HBL2435</b> |

Notes: All HP ratings are AC only.  
HP ratings not in parentheses are phase to phase.  
HP rating in parentheses is phase to neutral.  
Only receptacles and plugs are HP rated.  
See pages B-70 and B-71 for accessories.  
For technical information see page B-83.  
See page B-63 for switched enclosure.

