

Switchcraft®

[Previous Page](#) | [Return to Index](#) | [Next Page](#)



Q-G® CORD PLUG CONNECTORS

1. A(*)F CORD PLUG
2. A(*)FD CORD PLUG
3. A(*)M CORD PLUG

Click above to download drawings (you will need to have Adobe Acrobat installed on your system to do this).



A(*)F CORD PLUG

Straight female cord plug with standard latchlock. Available in 3-7 pin versions.

A(*)FD CORD PLUG

Straight female cord plug with FAS-DIS-CONNECT detent.

A(*)M CORD PLUG

Straight male cord plug.

*Number of insert contacts or pins must be specified to complete part number.

PART NUMBERS - FEMALE CORD PLUGS

Standard Q-G® Cord Plugs, Series A(*)F and QGP						
Satin Nickel Finish	Black Finish		Fas-Dis-Connect	Large Flex Relief ²	QGP Series	Insert Contacts
	Silver ¹	Gold ¹				
A3F	A3FB	A3FBAU	⌘A3FD	A3FL	QGP322	3
A3FS ³	-	-	-	-	-	3
A4F	A4FB	A4FBAU	⌘A4FD	A4FL	-	4
A5F	A5FB	A5FBAU	⌘A5FD	⌘A5FL	-	5
A6F	A6FB	A6FBAU	-	-	-	6
A7F	A7FB	A7FBAU	-	-	-	7

1 Contact plating.

2 Accepts cables from .25 inch (6.35 mm) to .328 inch (8.33 mm) diameter

3 Accepts cables from .105 inch (2.7 mm) to .205 inch (5.2 mm)

⌘Available on special order only; contact Switchcraft for price and delivery.

PART NUMBERS - MALE CORD PLUGS

Standard Q-G® Cord Plugs, Series A(*)F and QGP					
Satin Nickel Finish	Black Finish		Large Flex Relief	QGP Series	Insert Contacts
	Silver	Gold			
A3M	A3MB	A3MBAU	A3ML	QGP323	3
A3MS3	-	-	-	-	3
A4M	A4MB	A4MBAU	A4ML	-	4
A5M	A5MB	A5MBAU	⌘A5ML	-	5
A6M	-	A6MBAU	-	-	6
A7M	-	A7MBAU	-	-	7

All above part numbers have black flex relief installed. Contact Switchcraft for color flex relief.

⌘Available on special order only; contact Switchcraft for price and delivery.

[Previous Page](#) | [Return to Index](#) | [Next Page](#)

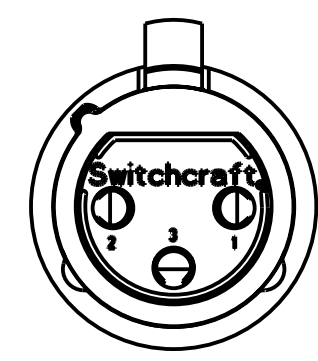
To search a category please click on the corresponding icon:



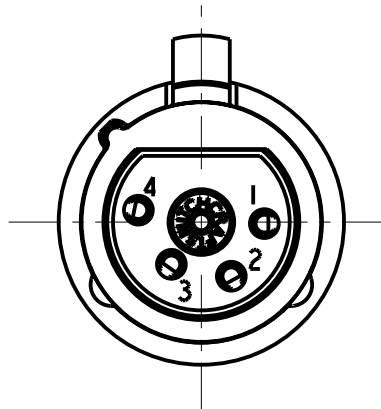
| [Connectors](#) | [Jacks and Plugs](#) |
| [Patch Panels, Patch Kits & Jackfields](#) | [Cable Assemblies and Patch Cords](#) | [Switches](#) |

All products shown are covered by Switchcraft's limited lifetime warranty.

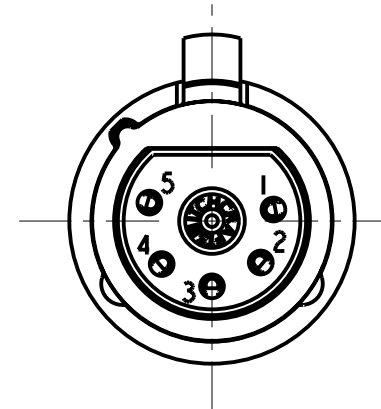
| [Switchcraft home](#) |
[About Us](#) | [Products](#) | [What's New](#) | [Search](#) | [Contact Us](#)



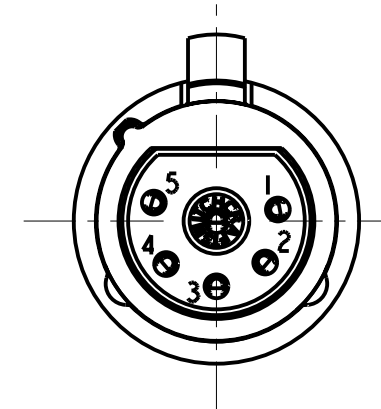
3 PIN



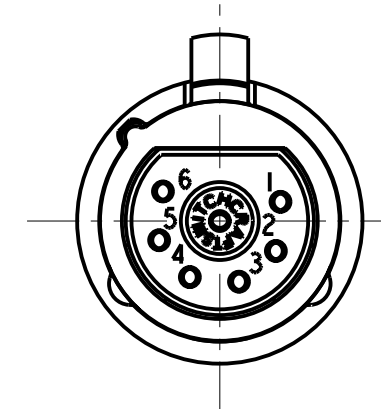
4 PIN



5 PIN



6 PIN



7 PIN

STANDARD SERIES

- INSERT SCREW - STAINLESS STEEL
- FLEX SCREW - STEEL, NICKEL PLATED
- HOUSING - ZINC, NICKEL PLATED
- SHELL - STAINLESS STEEL
- LATCH BUTTON - ZINC, NICKEL PLATED
- LATCH SPRING - STAINLESS STEEL
- CONTACTOR - BERYLLIUM COPPER, NICKEL PLATE
- TUBULAR INSULATOR - MYLAR
- SOLDER TERMINAL - BRASS, ELECTRO TIN
- FLEX RELIEF - HI-FAX
- CLAMP PLATE - STAINLESS STEEL
- INSULATORS - POLYESTER, GREEN
- CONTACTS - BRASS, SILVER PLATED

- A COLOR OF FLEX RELIEF
 - 01 = BROWN
 - 02 = RED
 - 03 = ORANGE
 - 04 = YELLOW
 - 05 = GREEN
 - 06 = BLUE
 - 07 = VIOLET
 - 08 = GRAY
 - 09 = WHITE
 - 11 = TAN
 - 12 = PINK
 - 13 = DARK BLUE
- F CONTACT PLATING
 - BLANK = SILVER (STANDARD)
 - AU = GOLD
- H HOUSING FINISH
 - BLANK = NICKEL PLATE (STANDARD)
 - B = BLACK
- I LATCH TYPE
 - BLANK = STANDARD LATCHLOCK
 - D = FAS-DIS-CONNECT DETENT (SEE FIGURE 3)
- J FLEX RELIEF SIZE
 - BLANK = STANDARD SIZE (0.210 TO 0.300)
 - L = LARGE CABLES (0.300 TO .0328)
 - S = SMALL CABLES (0.105 TO 0.205)
- K NO. OF CONTACTS:
 - 3 = 3 CONTACTS
 - 4 = 4 CONTACTS
 - 5 = 5 CONTACTS
 - 6 = 6 CONTACTS
 - 7 = 7 CONTACTS

PROFESSIONAL SERIES

SAME AS ABOVE EXCEPT
CONTACT PIN - PHOSPHOR BRONZE, GOLD OVER NICKEL

- OGP 22
- NO. OF CONTACTS:
 - 3 = 3 CONTACTS
 - 4 = 4 CONTACTS
 - 5 = 5 CONTACTS
 - 6 = 6 CONTACTS
 - 7 = 7 CONTACTS

NOTE:
1. ALL DIMENSIONS REF. UNLESS OTHERWISE SPECIFIED.

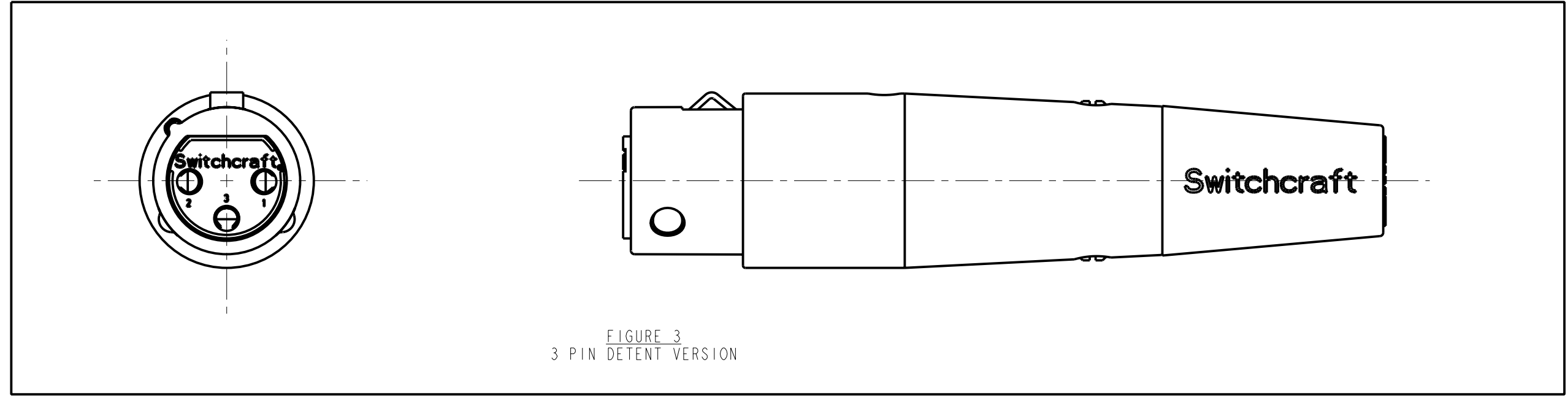
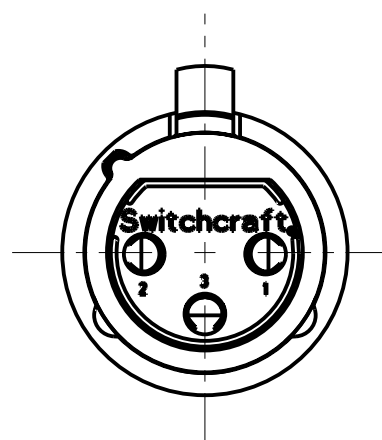
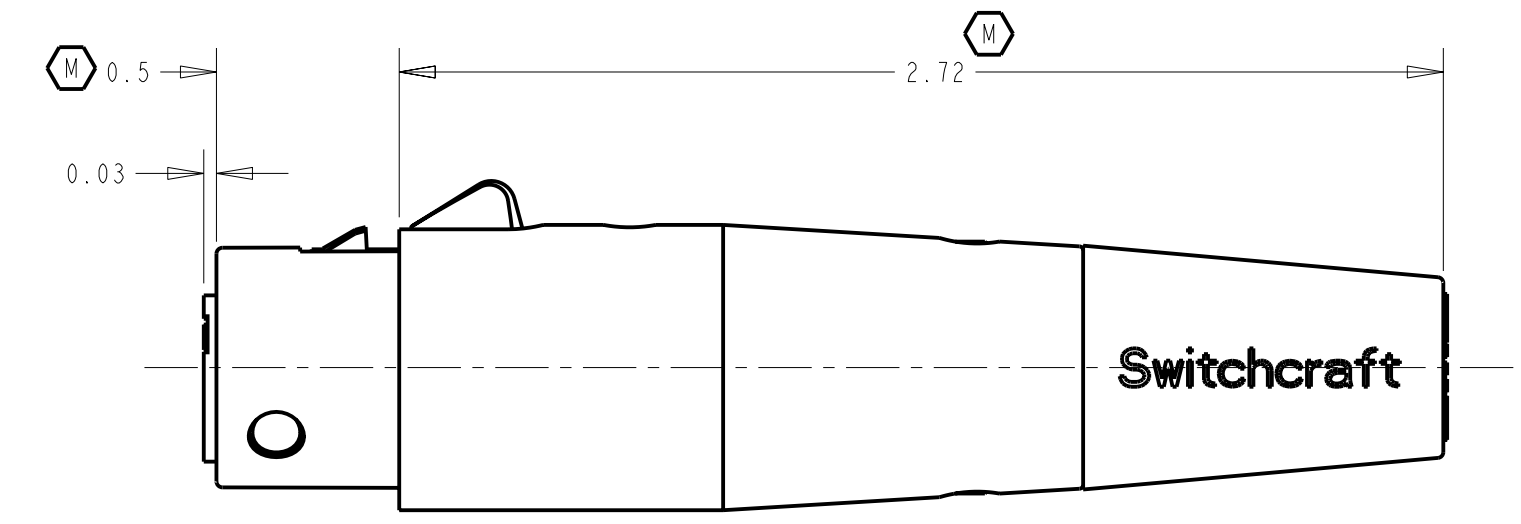
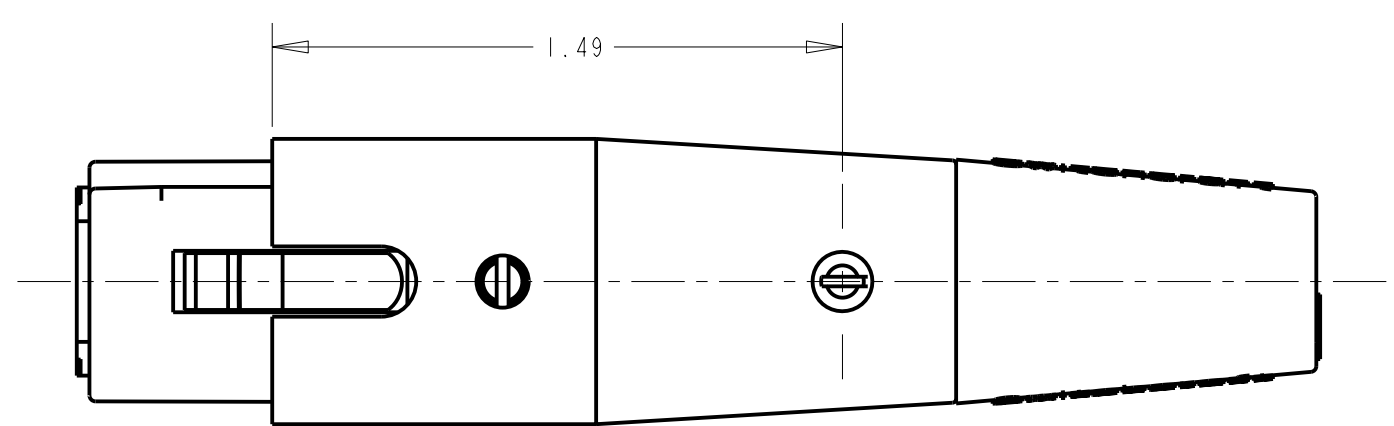


FIGURE 3
3 PIN DETENT VERSION



CUSTOMER DRAWING

					★ STAR SYMBOL DENOTES CRITICAL DIMENSION		THIS DRAWING DESCRIBES A DESIGN CONSIDERED PROPRIETARY IN NATURE, DEVELOPED AND MANUFACTURED BY SWITCHCRAFT INC. AND IS RELEASED ON A CONFIDENTIAL BASIS FOR IDENTIFICATION PURPOSES ONLY.						
					UNLESS OTHERWISE SPECIFIED		SIZE	WIDTH	MULT	LBS/M	TEMPER		
					1. ALL DIMENSIONS IN INCHES - TWO PLACE DECIMALS ±0.01 - THREE PLACE DECIMALS ±0.005 - ANGLES ±1° - ALL DIA. CONCENTRIC WITHIN 0.005 T.I.R.		FINISH		MATERIAL SPEC No.				
					2. FEATURES ON THE SAME CENTERLINE MUST BE ALIGNED WITHIN ±0.002		FIRST USED ON		SCALE 2:1				
					3. REMOVE ALL BURRS		DATE DRAWN	BY	CHKD	APVD	Switchcraft		
					DO NOT SCALE DRAWING		10-26-93	SG	SG 1-19-95	GHJ 1-19-95		SHEET OF	
REV					ECO NUMBER	DATE	BY	APVD	NAME		PART No.	REV	
REVISIONS										A SERIES FEMALE OGP		A_F_SERIES	W