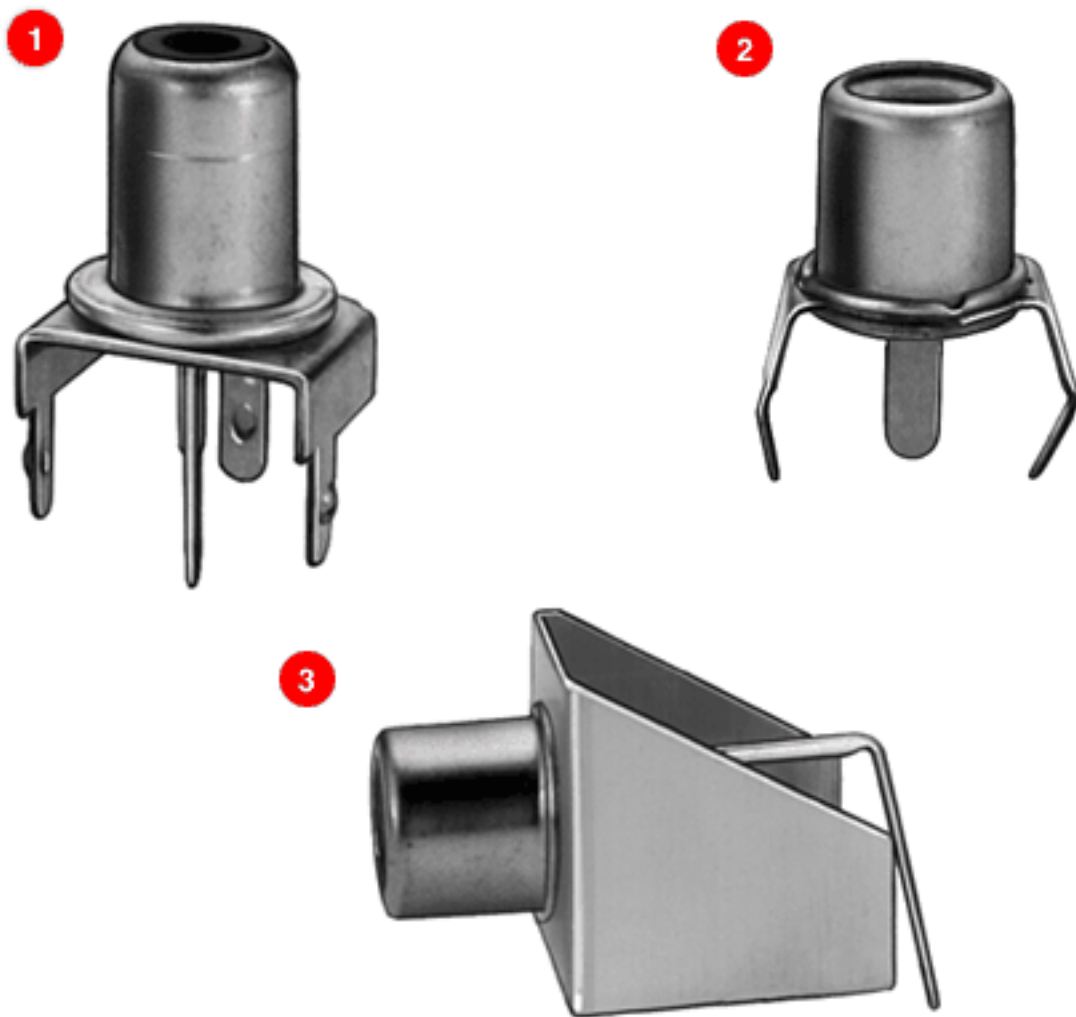


Switchcraft®

[Previous Page](#) | [Return to Index](#) | [Next Page](#)



PC MOUNT PHONO JACKS

1. Number 3514PC
2. Part Number 3515PC

3. Part Number 3517PC

[click here to download a schematic drawing](#)

(you will need to have Adobe Acrobat installed on your system to do this)



3514PC 2-conductor phono jack mounts directly to PC boards. Accepts plugs with pins up to .563 inch (14.3 mm) long. Typical mating Switchcraft plug: 3502.

3515PC Low profile 2-conductor phono jack mounts directly to PC boards. Accepts plugs with pins up to .375 inch (9.5 mm) long. Typical mating Switchcraft plug: P3218.

3517PC 2-conductor right angle phono jack mounts directly to PC boards. Accepts plugs with pins up to .563 inch (14.3 mm) long. Typical mating Switchcraft plug: 3502.

SPECIFICATIONS

Frame and Shell: Steel, cadmium-plated.

Center Terminal: Plated copper alloy (3517PC). Plated copper alloy (3514PC).

Insulator: Thermoplastic (3514PC). Ceramic and glass filled thermoplastic (3517PC).

FOR 3515PC ONLY:

Contact and Saddle: Spring type copper alloy, copper alloy pre-tinned.

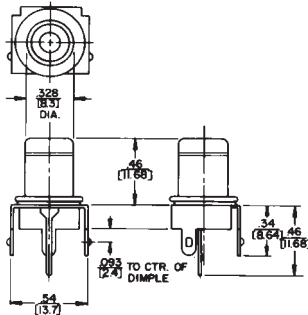
Shell: Steel or copper alloy, plated.

Insulator Bushing: Ceramic.

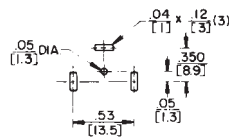
Insulator Spacer: Glass-filled thermoplastic.

PC MOUNT PHONO JACKS

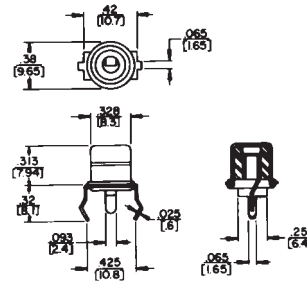
Number 3514PC



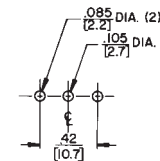
Recommended PC Board Layout (Component Side)



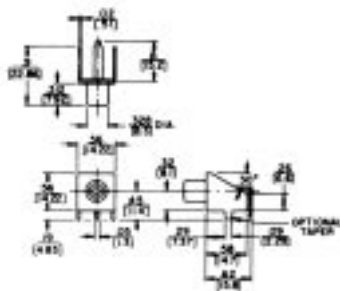
Number 3515PC



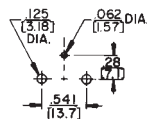
Recommended PC Board Layout (Component Side)



Number 3517PC



Recommended PC Board Layout (Component Side)



DIMENSIONS ARE FOR REFERENCE ONLY $\frac{\text{Inch}}{\text{(mm)}}$

NOTE: Contact your Switchcraft Representative for price and delivery.