



Sunbrite Product Gallery

COMPLETE SOLID STATE, ENERGY EFFICIENT LIGHTING SOLUTIONS

10mm (0.35") Single LED, Miniature Screw (E10) Base

Applications

- Incandescent Replacements
- Indicator Lights

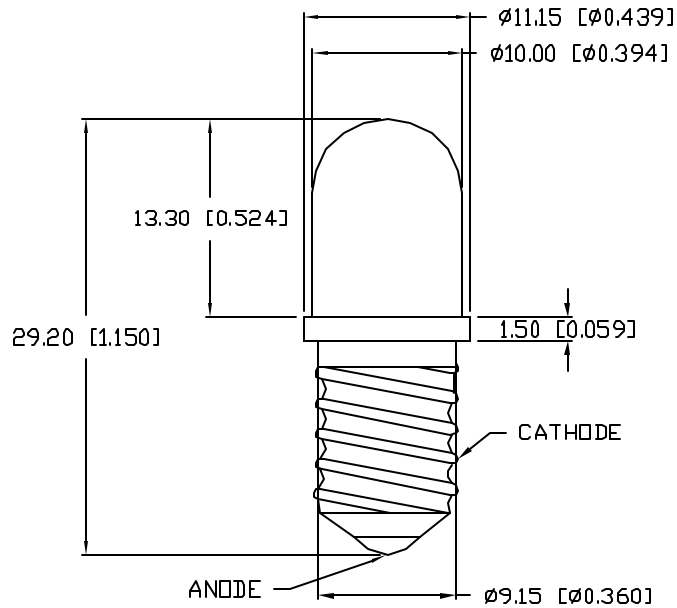
Features\Benefits

- Large Range of Voltages Available
- Bayonet and Screw Bases Available
- Different Sized Bases Available
- Other Colors Available
- Reverse Polarity Available
- 2 Chips, Wider View Angle



[Product Gallery](#) > [Filament Lamp Replacements](#) > [10mm \(0.35"\) Single LED, Miniature Screw \(E10\) Base](#)

Part Numbers:	Emitted Color	Wavelength (nm)	Material	Unit LED Intensity mCD per die @ 20mA (lf)(Typical)	Fwd. Voltage	Standard Common Pin
SSP-D29E10SIC-12V	Super Intensity Red	636	2500	12	E10	1415, 1419
SSP-D29E10SIC-28V	Super Intensity Red	636	2200	28	E10	1425, 1427
SSP-D29E10SIC-6V	Super Intensity Red	636	2600	6	E10	40, 46
SSP-D29E10SUGC-12V	Super Pure Green	574	1000	12	E10	1415, 1419
SSP-D29E10SUGC-6V	Super Pure Green	574	1200	6	E10	40, 46
SSP-D29E10SWC-28V	Super White	-	950	28	E10	1425, 1427
SSP-D29E10SYC-12V	Super Yellow	590	1500	12	E10	1415, 1419
SSP-D29E10SYC-28V	Super Yellow	590	380	28	E10	1425, 1427
SSP-D29E10SYC-6V	Super Yellow	590	1700	6	E10	40, 46



ELECTRO-OPTICAL CHARACTERISTICS $T_A=25^{\circ}\text{C}$ $V_f=28\text{V}$

PARAMETER	SYMBOL	MIN	TYP	MAX	UNITS	TEST COND
PEAK WAVELENGTH			-		nm	
FORWARD VOLTAGE	V_f		28		V	
REVERSE VOLTAGE	V_r	5.0			V	$I_r=100\mu\text{A}$
AXIAL INTENSITY(*1)	I_v		300		mcd	$V_f=28\text{V}$
CHROMATICITY	X		.33			
COORDINATES(*2)	Y		.34			
VIEWING ANGLE			20		2x theta	
EMITTED COLOR:	WHITE					
EPOXY LENS FINISH:	WATER CLEAR					

*1. AXIAL INTENSITY TESTING CONDITION: 550nm WAVELENGTH.
*2. THE ICI STANDARD COLORIMETRIC SYSTEM.

LIMITS OF SAFE OPERATION AT 25°C

PARAMETER	MAX	UNITS
PEAK FORWARD VOLTAGE	32	V
STEADY CURRENT	25	mA
POWER DISSIPATION	510	mW
DERATE FROM 25°C	-1.2	mW/°C
OPERATING, STORAGE TEMP.	-40 TO +85	°C

*UNLESS OTHERWISE SPECIFIED TOLERANCES PER DECIMAL PRECISION ARE: X=±1 (±0.039), X.X=±0.5 (±0.020), X.XX=±0.25 (±0.010), X.XXX=±0.127 (±0.005), LEAD SIZE=±0.05 (±0.002), LEAD LENGTH=±0.75 (±0.030), MIN= ^{+0.00} _{-0.00} DECIMAL PRECISION MAX= ^{+0.00} _{-0.00} DECIMAL PRECISION

REV.

PART NUMBER

SSP-D29E10SWC-28V

10mm CIRCULAR E10 BASE LAMP,
SUPER WHITE LED, WATER CLEAR LENS.

CONFIDENTIAL INFORMATION

THE INFORMATION CONTAINED IN THIS DOCUMENT IS THE PROPERTY OF SUNBRITE LEDS. EXCEPT AS SPECIFICALLY AUTHORIZED IN WRITING BY SUNBRITE LEDS, THE HOLDER OF THIS DOCUMENT SHALL KEEP ALL INFORMATION CONTAINED HEREIN CONFIDENTIAL AND SHALL PROTECT SAME IN WHOLE OR IN PART FROM DISCLOSURE AND DISSEMINATION TO ALL THIRD PARTIES.

RELIABILITY NOTE

OUR MANY YEARS OF EXPERIENCE DATA ACCUMULATION INDICATE THAT SOLDER HEAT IS A MAJOR CAUSE OF EARLY AND FUTURE FAILURE. PLEASE PAY ATTENTION TO YOUR SOLDERING PROCESS.



DRAWN:
BC

CHECKED:

APPROVED:

DATE:

PAGE: 1 OF 1