



## Sunbrite Product Gallery

COMPLETE SOLID STATE, ENERGY EFFICIENT LIGHTING SOLUTIONS

### 10mm (0.35") Single LED, Miniature Screw (E10) Base

#### Applications

- Incandescent Replacements
- Indicator Lights

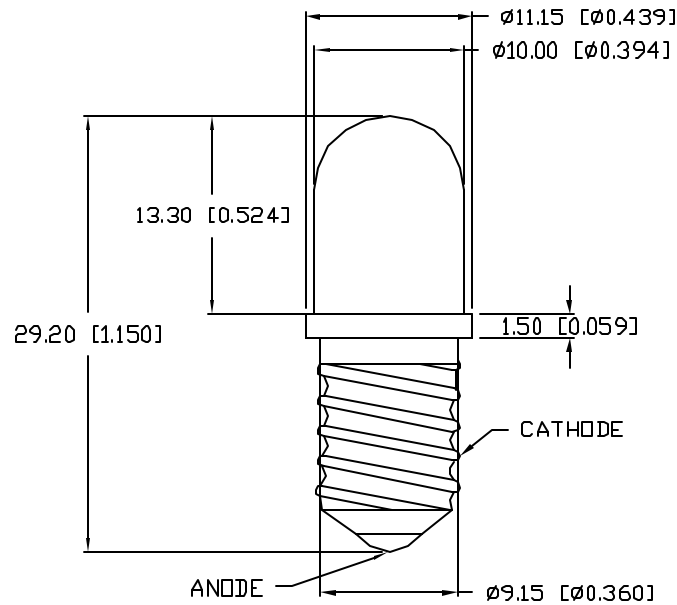
#### Features\Benefits

- Large Range of Voltages Available
- Bayonet and Screw Bases Available
- Different Sized Bases Available
- Other Colors Available
- Reverse Polarity Available
- 2 Chips, Wider View Angle



[Product Gallery](#) > [Filament Lamp Replacements](#) > [10mm \(0.35"\) Single LED, Miniature Screw \(E10\) Base](#)

Part Numbers:	Emitted Color	Wavelength (nm)	Material	Unit LED Intensity mCD per die @ 20mA (lf)(Typical)	Fwd. Voltage	Standard Common Pin
<a href="#">SSP-D29E10SIC-12V</a>	Super Intensity Red	636	2500	12	E10	1415, 1419
<a href="#">SSP-D29E10SIC-28V</a>	Super Intensity Red	636	2200	28	E10	1425, 1427
<a href="#">SSP-D29E10SIC-6V</a>	Super Intensity Red	636	2600	6	E10	40, 46
<a href="#">SSP-D29E10SUGC-12V</a>	Super Pure Green	574	1000	12	E10	1415, 1419
<a href="#">SSP-D29E10SUGC-6V</a>	Super Pure Green	574	1200	6	E10	40, 46
<a href="#">SSP-D29E10SWC-28V</a>	Super White	-	950	28	E10	1425, 1427
<a href="#">SSP-D29E10SYC-12V</a>	Super Yellow	590	1500	12	E10	1415, 1419
<a href="#">SSP-D29E10SYC-28V</a>	Super Yellow	590	380	28	E10	1425, 1427
<a href="#">SSP-D29E10SYC-6V</a>	Super Yellow	590	1700	6	E10	40, 46



ELECTRO-OPTICAL CHARACTERISTICS  $T_A=25^\circ\text{C}$   $V_f=28\text{V}$

PARAMETER	MIN	TYP	MAX	UNITS	TEST COND
PEAK WAVELENGTH		636		nm	
FORWARD VOLTAGE		28.0		$V_f$	
REVERSE VOLTAGE	5.0			$V_r$	$I_r=100\mu\text{A}$
AXIAL INTENSITY		2200		mcd	$V_f=28\text{V}$
VIEWING ANGLE		20		2x theta	
EMITTED COLOR:	RED				
EPOXY LENS FINISH:	WATER CLEAR				

LIMITS OF SAFE OPERATION AT  $25^\circ\text{C}$

PARAMETER	MAX	UNITS
PEAK FORWARD VOLTAGE	32.0	V
STEADY CURRENT	30	mA
POWER DISSIPATION	350	mW
DERATE FROM $25^\circ\text{C}$	-1.2	mW/ $^\circ\text{C}$
OPERATING, STORAGE TEMP.	-40 TO +85	$^\circ\text{C}$

\*UNLESS OTHERWISE SPECIFIED TOLERANCES PER DECIMAL PRECISION ARE: X=±1 (±0.039), X.X=±0.5 (±0.020), X.XX=±0.25 (±0.010), X.XXX=±0.127 (±0.005), LEAD SIZE=±0.05 (±0.002), LEAD LENGTH=±0.75 (±0.030), MIN= <sup>+DECIMAL PRECISION</sup> <sub>-0.00</sub> MAX= <sup>+0.00</sup> <sub>-DECIMAL PRECISION</sub>

REV.

PART NUMBER

SSP-D29E10SIC-28V

CONFIDENTIAL INFORMATION

THE INFORMATION CONTAINED IN THIS DOCUMENT IS THE PROPERTY OF SUNBRITE LEDS. EXCEPT AS SPECIFICALLY AUTHORIZED IN WRITING BY SUNBRITE LEDS, THE HOLDER OF THIS DOCUMENT SHALL KEEP ALL INFORMATION CONTAINED HEREIN CONFIDENTIAL AND SHALL PROTECT SAME IN WHOLE OR IN PART FROM DISCLOSURE AND DISSEMINATION TO ALL THIRD PARTIES.

RELIABILITY NOTE

OUR MANY YEARS OF EXPERIENCE DATA ACCUMULATION INDICATE THAT SOLDER HEAT IS A MAJOR CAUSE OF EARLY AND FUTURE FAILURE. PLEASE PAY ATTENTION TO YOUR SOLDERING PROCESS.



DRAWN:  
BC

CHECKED:

APPROVED:

DATE:

PAGE: 1 OF 1

10mm CIRCULAR E10 BASE LAMP,  
636nm AlInGaP RED LED, WATER CLEAR LENS.