



## Sunbrite Product Gallery

COMPLETE SOLID STATE, ENERGY EFFICIENT LIGHTING SOLUTIONS

### 10mm (0.35") Single LED, Miniature Bayonet (BA9S) Base

#### Applications

- Incandescent Replacements
- Indicator Lights

#### Features/Benefits

- Large Range of Voltages Available
- Bayonet and Screw Bases Available
- Different Sized Bases Available
- Other Colors Available
- Reverse Polarity Available
- 2 Chips, Wider View Angle



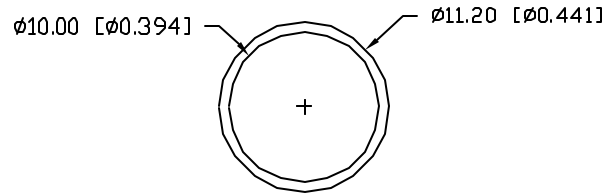
[Product Gallery](#) > [Filament Lamp Replacements](#) > [10mm \(0.35"\) Single LED, Miniature Bayonet \(BA9S\) Base](#)

Part Numbers:	Emitted Color	Wavelength (nm)	Material	Unit LED Intensity mCD per die @ 20mA (If)(Typical)	Fwd. Voltage	Standard Common Pin
<a href="#">SSP-D29B9SIC-12V</a>	Super Intensity Red	636	2500	12	BA9S	1816, 181
<a href="#">SSP-D29B9SIC-28V</a>	Super Intensity Red	636	2200	28	BA9S	1843, 757
<a href="#">SSP-D29B9SIC-6V</a>	Super Intensity Red	636	2600	6	BA9S	316, 755, 47
<a href="#">SSP-D29B9SUGC-12V</a>	Super Pure Green	574	1000	12	BA9S	1816, 181
<a href="#">SSP-D29B9SUGC-28V</a>	Super Pure Green	574	950	28	BA9S	1843, 757
<a href="#">SSP-D29B9SUGC-6V</a>	Super Pure Green	562	1200	6	BA9S	316, 755, 47
<a href="#">SSP-D29B9SWC-28V</a>	Super White	-	950	28	BA9S	1843, 757
<a href="#">SSP-D29B9SYC-12V</a>	Super Yellow	590	1500	12	BA9S	1816, 181
<a href="#">SSP-D29B9SYC-28V</a>	Super Yellow	590	380	28	BA9S	1843, 757
<a href="#">SSP-D29B9SYC-6V</a>	Super Yellow	590	1700	6	BA9S	316, 755, 47

UNCONTROLLED DOCUMENT

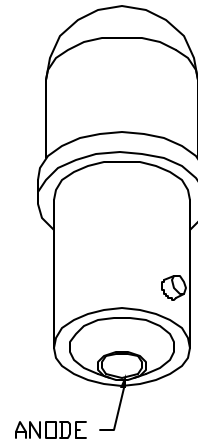
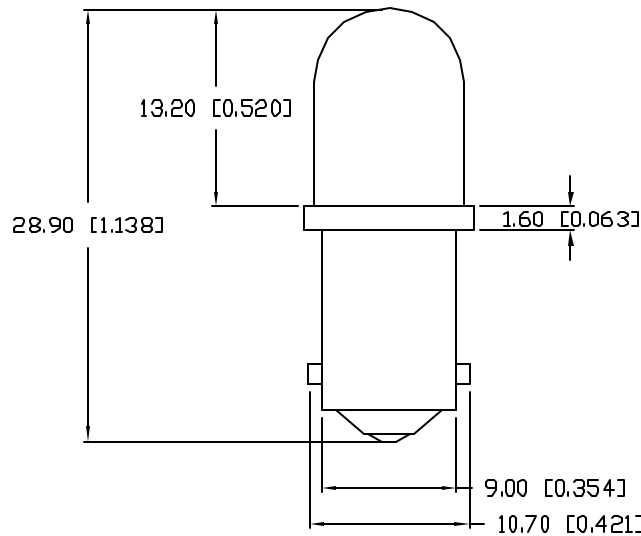
PART NUMBER  
SSP-D29B9SUGC-28V

REV.



ELECTRO-OPTICAL CHARACTERISTICS  $T_A=25^{\circ}\text{C}$   $V_f=28\text{V}$

PARAMETER	MIN	TYP	MAX	UNITS	TEST COND
PEAK WAVELENGTH		574		nm	
FORWARD VOLTAGE		28		$V_f$	
REVERSE VOLTAGE	5.0			$V_r$	$I_f=100\mu\text{A}$
AXIAL INTENSITY		300		mcad	$V_f=28\text{V}$
VIEWING ANGLE		20		2x theta	
EMITTED COLOR:	GREEN				
EPOXY LENS FINISH:	WATER CLEAR				



LIMITS OF SAFE OPERATION AT  $25^{\circ}\text{C}$

PARAMETER	MAX	UNITS
PEAK FORWARD VOLTAGE	32	V
STEADY CURRENT	25	mA
POWER DISSIPATION	380	mW
DERATE FROM $25^{\circ}\text{C}$	-1.2	mW/ $^{\circ}\text{C}$
OPERATING, STORAGE TEMP.	-40 TO +85	$^{\circ}\text{C}$

UNCONTROLLED DOCUMENT

\*UNLESS OTHERWISE SPECIFIED TOLERANCES PER DECIMAL PRECISION ARE: X=±1 (±0.039), X.X=±0.5 (±0.020), X.XX=±0.25 (±0.010), X.XXX=±0.127 (±0.005), LEAD SIZE=±0.05 (±0.002), LEAD LENGTH=±0.75 (±0.030), MIN= <sup>+DECIMAL PRECISION</sup> -0.00 MAX= <sup>+0.00</sup> -DECIMAL PRECISION

REV.

PART NUMBER

SSP-D29B9SUGC-28V

10mm CIRCULAR BA9 BASE LAMP,  
574nm AlInGaP GREEN LED, WATER CLEAR LENS.

CONFIDENTIAL INFORMATION

THE INFORMATION CONTAINED IN THIS DOCUMENT IS THE PROPERTY OF SUNBRITE LEDS. EXCEPT AS SPECIFICALLY AUTHORIZED IN WRITING BY SUNBRITE LEDS, THE HOLDER OF THIS DOCUMENT SHALL KEEP ALL INFORMATION CONTAINED HEREIN CONFIDENTIAL AND SHALL PROTECT SAME IN WHOLE OR IN PART FROM DISCLOSURE AND DISSEMINATION TO ALL THIRD PARTIES.

RELIABILITY NOTE

DUR MANY YEARS OF EXPERIENCE DATA ACCUMULATION INDICATE THAT SOLDER HEAT IS A MAJOR CAUSE OF EARLY AND FUTURE FAILURE. PLEASE PAY ATTENTION TO YOUR SOLDERING PROCESS.



DRAWN:  
BC

CHECKED:

APPROVED:

DATE:

PAGE: 1 OF 1