



Sunbrite Product Gallery

COMPLETE SOLID STATE, ENERGY EFFICIENT LIGHTING SOLUTIONS

1156 Bayonet Base, Single Contact, 3 LEDs

Applications

- Warning Lamps and Indicators
- Dome/Interior Light
- Alarm Lights - Marker/Park Lights

Features\Benefits

- Large Range of Voltages Available
- Other Colors Available
- Low Power Consumption
- Drop in Incandescent Replacement
- Vibration Resistant



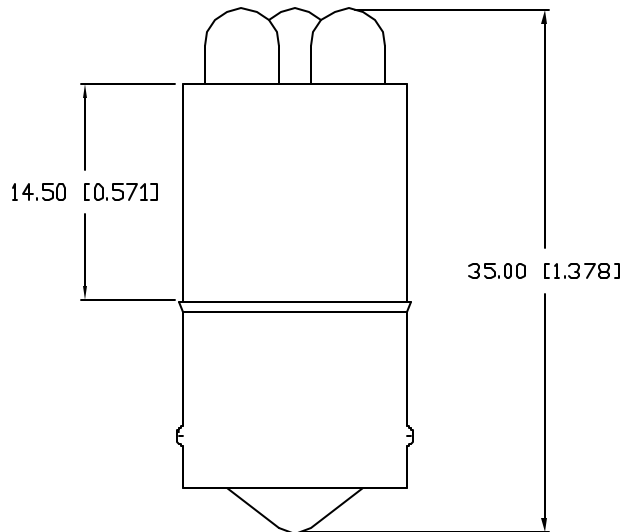
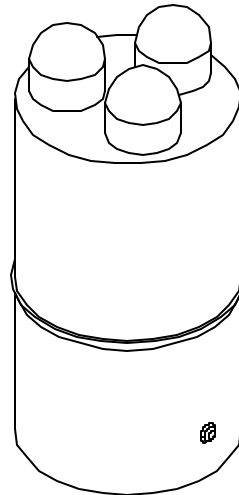
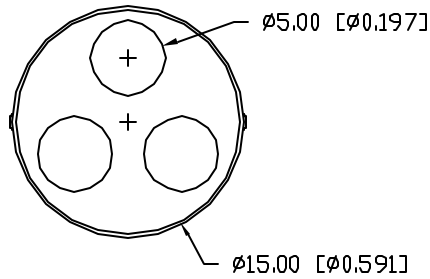
[Product Gallery](#) > [Traffic and Automotive](#) > [1156 Bayonet Base, Single Contact, 3 LEDs](#)

Part Numbers:	Emitted Color	Wavelength (nm)	Material	Unit LED Intensity mCD per die @ 20mA (If)(Typical)	Fwd. Voltage	Standard Common Pin
SSP-03TB92UP12	Ultra Green	525	InGaN/SiC	3,700	12	BA15S / 1156
SSP-03TB93S12	Super Yellow	590	AlInGaP	3,500	12	BA15S / 1156
SSP-03TB96U12	Ultra Red	626	AlInGaP	4,600	12	BA15S / 1156
SSP-03TB97U12	Super Blue	470	InGaN/SiC	3,000	12	BA15S / 1156
SSP-03TB9912	Ultra White	-	InGaN/SiC	7,000	12	BA15S / 1156

UNCONTROLLED DOCUMENT

PART NUMBER
SSP-03TB93S12

REV.



ELECTRO-OPTICAL CHARACTERISTICS $T_A=25^{\circ}\text{C}$ $V_f=12\text{V}$

PARAMETER	MIN	TYP	MAX	UNITS	TEST COND
PEAK WAVELENGTH		590		nm	
FORWARD VOLTAGE		12.0	14.0	V_f	
REVERSE VOLTAGE	5.0			V_r	$I_f=100\mu\text{A}$
AXIAL INTENSITY		3500		mcd	$V_f=12\text{V}$
VIEWING ANGLE		30		2x theta	
EMITTED COLOR:	SUPER YELLOW				
EPOXY LENS FINISH:	WATER CLEAR LENS				

LIMITS OF SAFE OPERATION AT 25°C PER MODULE

PARAMETER	MAX	UNITS
PEAK FORWARD VOLTAGE	14	V
STEADY CURRENT	60	mA
POWER DISSIPATION	105	mW
DERATE FROM 25°C	-1.2	mW/ $^{\circ}\text{C}$
OPERATING, STORAGE TEMP.	40 0 +85	$^{\circ}\text{C}$

*UNLESS OTHERWISE SPECIFIED TOLERANCES PER DECIMAL PRECISION ARE: X=±1 (±0.039), X.X=±0.5 (±0.020), X.XX=±0.25 (±0.010), X.XXX=±0.127 (±0.005), LEAD SIZE=±0.05 (±0.002), LEAD LENGTH=±0.75 (±0.030), MIN= ^{+DECIMAL PRECISION} _{-0.00} MAX= ^{+0.00} _{-DECIMAL PRECISION}

UNCONTROLLED DOCUMENT

REV.

PART NUMBER

SSP-03TB93S12

CONFIDENTIAL INFORMATION

THE INFORMATION CONTAINED IN THIS DOCUMENT IS THE PROPERTY OF SUNBRITE LEDS. EXCEPT AS SPECIFICALLY AUTHORIZED IN WRITING BY SUNBRITE LEDS, THE HOLDER OF THIS DOCUMENT SHALL KEEP ALL INFORMATION CONTAINED HEREIN CONFIDENTIAL AND SHALL PROTECT SAME IN WHOLE OR IN PART FROM DISCLOSURE AND DISSEMINATION TO ALL THIRD PARTIES.

RELIABILITY NOTE

DUR MANY YEARS OF EXPERIENCE DATA ACCUMULATION INDICATE THAT SOLDER HEAT IS A MAJOR CAUSE OF EARLY AND FUTURE FAILURE. PLEASE PAY ATTENTION TO YOUR SOLDERING PROCESS.



LED S.C. BAYONET LAMP, YELLOW.

DRAWN:
BC

CHECKED:

APPROVED:

DATE: 5.2.02
PAGE: 1 OF 1