



Sunbrite Product Gallery

COMPLETE SOLID STATE, ENERGY EFFICIENT LIGHTING SOLUTIONS

LED Miniature Wedge Base Milky White Diffused Lens

Applications

- Warning Lamps and Indicators
- Decorative Lighting
- Dome/Interior Light
- Clearance/Side Marker Light

Features\Benefits

- Large Range of Voltages Available
- Other Colors Available
- Low Power Consumption
- Drop in Incandescent Replacement
- Vibration Resistant
- Wide Viewing Angle

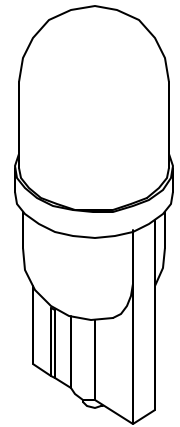
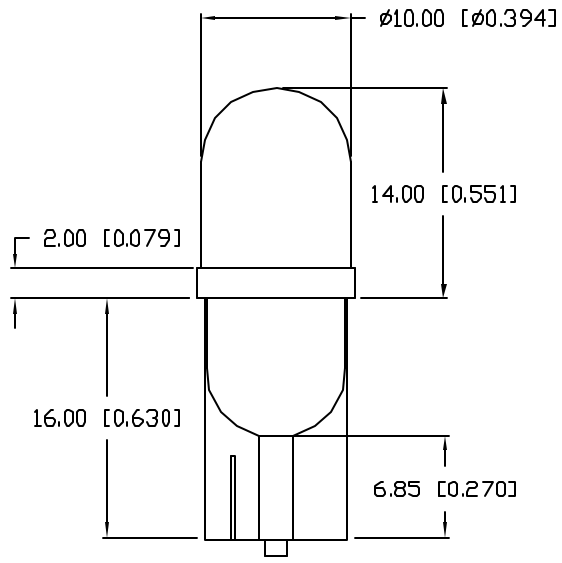


[Product Gallery](#) > [Traffic and Automotive](#) > [LED Miniature Wedge Base Milky White Diffused Lens](#)

Part Numbers:	Emitted Color	Wavelength (nm)	Material	Unit LED Intensity mCD per die @ 20mA (f)(Typical)	Fwd. Voltage	Standard Common Pin
SSP-01TWB2UPW12	Ultra Green	525	InGaN/SiC	2,800	12	60
SSP-01TWB3SW12	Super Yellow	590	AlInGaP	2,200	12	60
SSP-01TWB6UW12	Ultra Red	626	AlInGaP	2,800	12	60
SSP-01TWB7UW12	Ultra Super Blue	470	InGaN/SiC	1,600	12	60
SSP-01TWB9W12	Ultra White	-	InGaN/SiC	3,300	12	60

UNCONTROLLED DOCUMENT

PART NUMBER		REV.
SSP-01TWB6UW12		A
REV.	E.C.N. NUMBER AND REVISION COMMENTS	DATE
A	E.C.N. #10897.	7.30.02



ELECTRO-OPTICAL CHARACTERISTICS $T_A=25^\circ\text{C}$ $V_f=12\text{V}$

PARAMETER	MIN	TYP	MAX	UNITS	TEST COND
PEAK WAVELENGTH		626		nm	
FORWARD VOLTAGE		12	14.0	V _f	
REVERSE VOLTAGE	5.0			V _r	I _r =100 μ A
AXIAL INTENSITY		2800		mcd	V _f =12V
VIEWING ANGLE		60		2x theta	
EMITTED COLOR:	RED				
EPOXY LENS FINISH:	MILKY WHITE DIFFUSED				

LIMITS OF SAFE OPERATION AT 25°C PER DIE

PARAMETER	MAX	UNITS
PEAK FORWARD VOLTAGE	14	V
☑ STEADY CURRENT	20	mA
POWER DISSIPATION	105	mW
DERATE FROM 25°C	-1.2	mW/°C
OPERATING, STORAGE TEMP.	-40 TO +85	°C

*UNLESS OTHERWISE SPECIFIED TOLERANCES PER DECIMAL PRECISION ARE: X=±1 (±0.039), X.X=±0.5 (±0.020), X.XX=±0.25 (±0.010), X.XXX=±0.127 (±0.005). LEAD SIZE=±0.05 (±0.002), LEAD LENGTH=±0.75 (±0.030). MIN= ^{+0.00} _{-0.00} DECIMAL PRECISION MAX.= ^{+0.00} _{-0.00} DECIMAL PRECISION

UNCONTROLLED DOCUMENT

REV.	PART NUMBER
A	SSP-01TWB6UW12

CONFIDENTIAL INFORMATION
 THE INFORMATION CONTAINED IN THIS DOCUMENT IS THE PROPERTY OF SUNBRITE LEDS. EXCEPT AS SPECIFICALLY AUTHORIZED IN WRITING BY SUNBRITE LEDS, THE HOLDER OF THIS DOCUMENT SHALL KEEP ALL INFORMATION CONTAINED HEREIN CONFIDENTIAL AND SHALL PROTECT SAME IN WHOLE OR IN PART FROM DISCLOSURE AND DISSEMINATION TO ALL THIRD PARTIES.

RELIABILITY NOTE
 OUR MANY YEARS OF EXPERIENCE DATA ACCUMULATION INDICATE THAT SOLDER HEAT IS A MAJOR CAUSE OF EARLY AND FUTURE FAILURE. PLEASE PAY ATTENTION TO YOUR SOLDERING PROCESS.



LED MINIATURE WEDGE BASE, RED, MILKY WHITE DIFFUSED.		DRAWN:	CHECKED:	APPROVED:	DATE:
		BC			5.6.02
					PAGE: 1 OF 1