

PM Series - Open Style Power Relay

4PDT, 35 Amp



The PM Series relays offer 4 double throw poles (4PDT) for up to 35 amp at 277 VAC or 20 amps at 28Vdc. Product also is capable of 10 amps tungsten switching. Screw terminals (8-32) are standard but .250" quick connects are also available.

GENERAL SPECIFICATIONS (@ 25° C)

Contacts:

Contact Configuration	4PDT
Contact Material	Silver Alloy
Contact Rating	
120 / 240VAC Resistive	35 Amp
28VDC Resistive	20 Amp
Motor 240VAC 1 Phase	1.5Hp
Contact Resistance, Initial	100 milliohms max @ 6VDC

Coil:

Coils Available	AC and DC
Nominal Coil Power	14VA 4.4W
Input Voltage Tolerance - AC	85% to 110% of nominal
Input Voltage Tolerance - DC	80% to 110% of nominal
Drop-out voltage	10% of nominal
Duty	Continuous

Timing:

Operate Time (max)	40ms
Release Time (max)	30ms

Dielectric Strength:

Across Open Contacts	1500 VRMS
Between Mutally Insulated Points	2200 VRMS
Insulation Resistance	1000 megohms @ 500VAC

Temperature:

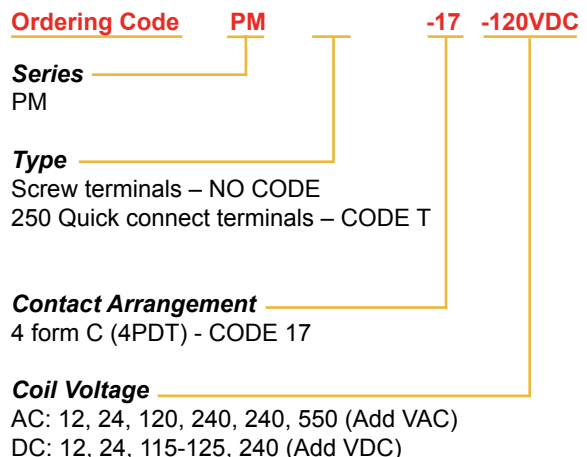
Operating	-34 to 74°C (-30 to 165°F)
Storage	-40 to 105°C (-40 to 221°F)

Life Expectancy:

Electrical (full load operations)	100,000
Mechanical (no load operations)	2,000,000

Miscellaneous:

Mounting Position	Any
Enclosure	Optional - 35D203
Weight	14.9oz (379 grams)



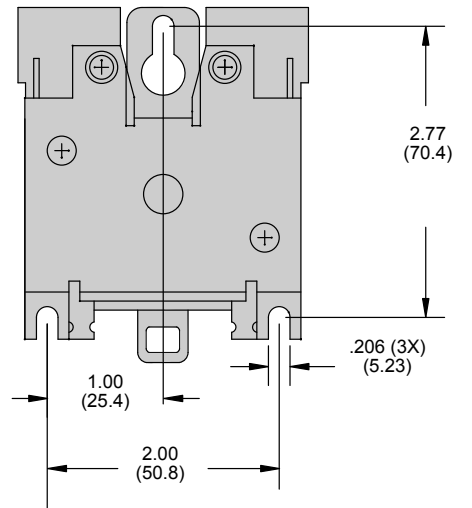
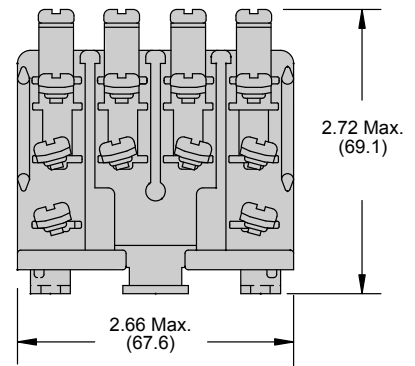
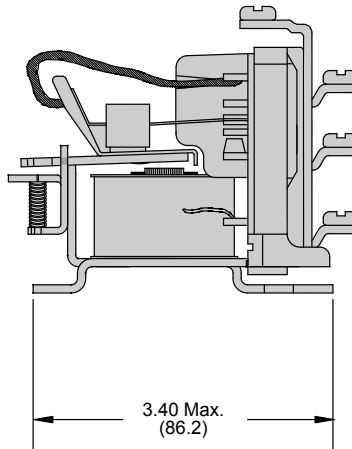
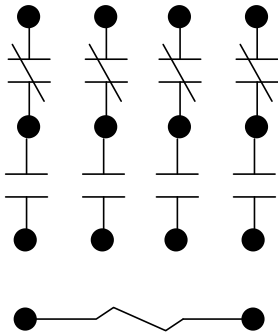
Power Relays

30 - 300 Amp

Outline Dimensions

Dimensions Shown in inches & (millimeters)

PM Wire Diagram



Dust Cover Optional
Part Number - 35D203



Outline Dimensions

Dimensions Shown in inches & (millimeters)

PM Dust Cover

