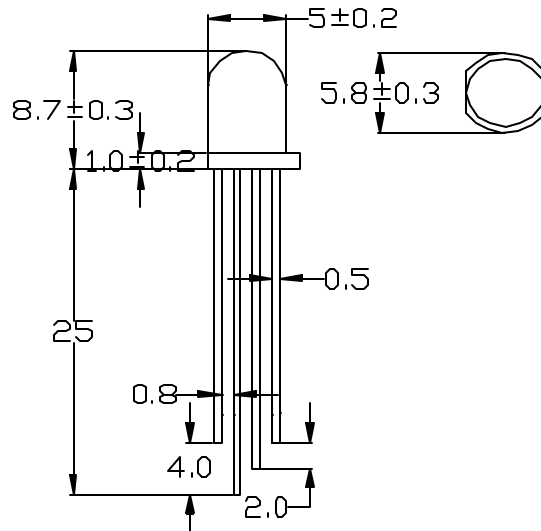


Brilliance by design

5mm Full Color LED Model 995



T_a=25⁰C

Reverse Voltage:	5 Volt (Red-4 Volt)	
Reverse Current (V _r =5V):	10 uA	
Operating Temperature Range:	Red	-40 ⁰ C - +85 ⁰ C
	G & B	-20 ⁰ C - +800 C
Storage Temperature Range:	Red	-40 ⁰ C - +85 ⁰ C
	G & B	-30 ⁰ C - +100 ⁰ C
Lead Soldering Temperature: (1.6mm(1/16inch) from body)	260 ⁰ C for 3 seconds	

T_a=25⁰C

Part No.	Emitted Color	Wave Length	View Angle	Electo-Optical Characteristi		Absolute Maximum Ratings		
				V _f (V) Typ.	I _v (mcd) Typ.	P _d * mW	I _f mA	I _f (Peak)
SL995RBCU	Red	627	15	2.0	1200	120	50	200
	Green	517	15	3.5	3700	120	30	100
	Blue	472	15	3.5	700	120	30	100

Notes:

1. All Dimensions are in millimeters.
2. Tolerance is +0.25mm(0.10") unless otherwise specified.
3. Value for one LED device (single color). Total value should be within the absolute maximum rating when illuminating more than two devices (full colors).*
4. Specifications are subject to change without notice