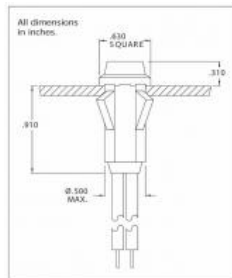




Products

Neon & Incandescent Indicators

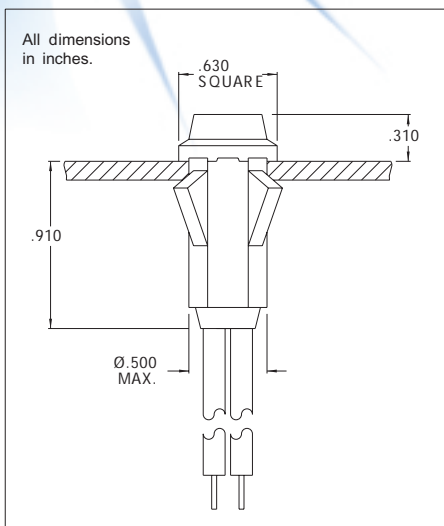
CML IT offers panel mount indicators manufactured with LED, Neon or Incandescent light sources. These indicators are available in a number of different lens and termination styles, with voltages of 2V ~ 250V available off-the-shelf.



Part Number: 1090N3-28V
Serial Number: 1090
Light Source: Incandescent
Color: Amber
Voltage (V): 28V
Mounting Hole (inch): 0.50
Mounting Hole (metric): 12.7
Termination: 4.5" 22 AWG wire
Bezel color: Stainless Steel
Housing color: White
UL file: E20325
CSA file: LR13346
RoHS Status: Yes

1050N, 1052N and 1090N Series Non-Relampable Neon-Incandescent Indicator Lights

DESCRIPTION AND FEATURES



Mounting: Will snap-fit into Ø.500/.505 hole in panels .020/.100 thick. Push-on speednut SN0461 also available. Mounting hole pattern on page SP2.

Wire Leads: No.22 AWG (105°C), 4.40/4.80 long, stripped .430/.570

Lens: Polycarbonate

Bezel: Polished stainless steel. For black finish add "X" after the series letter(s).

Housing: White Nylon

| Lens Color | Neon | Incandescent | |
|------------|------------------------|-----------------|-----------------|
| | Model No. (105-125VAC) | Model No. (12V) | Model No. (28V) |
| Red | 1050N1 | 1090N1-12V | 1090N1-28V |
| Clear | 1050N2 | - | - |
| Amber | 1050N3 | 1090N3-12V | 1090N3-28V |
| White | 1050N4 | 1090N4-12V | 1090N4-28V |
| Green | 1052N5* | 1090N5-12V | 1090N5-28V |
| Lamp used | C2A+R resistor | #2162 | #2187 |
| Lead Color | Black | Yellow | Purple |

* Incorporates G2B lamp and resistor.
 Underwriters Laboratories (UL) File No. E20325
 Canadian Standards Association (CSA) File No. LR13346