

Brilliance by design

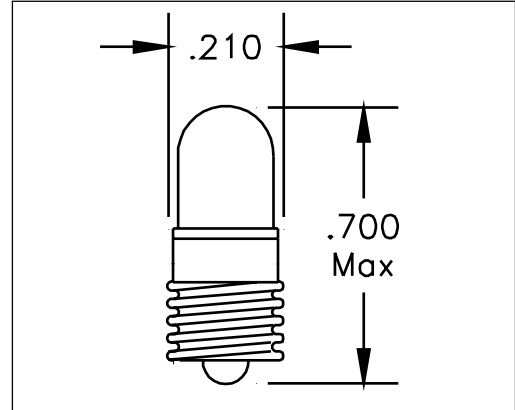
LED Replacement for T1 3/4 Midget Screw Base Incandescent Lamps

MODEL 532

T1 3/4 midget screw base incandescent replacement LED utilizes the brightest LEDs.

FEATURES

- Available in all colors and voltages
- Long life LED
- Low voltage
- Direct replacement for: 335, 342, 369, 373, 378, 383, 399, 1768, 1775, 8362, 8369, 8384



532

HOW TO ORDER

*External resistor required	<u>Voltage</u>	<u>Model No.</u>	Where the 'X' appears insert: 1-Red, 2-Green, 3-Yellow, 4-Amber, 5-Ultra Green, 6-Ultra Blue, 7-Pure White
	2vdc*	532-2X	
	5vdc	532-5X	
	6vdc	532-6X	
	14vdc	532-14X	
	28vdc	532-28X	

NOTE:
**for voltage/current specs, see page 7-9

Brilliance by design

LED Replacements for Incandescent Lamps

LED Specifications and Technical Data

LED data for models 160, 162, 164, 460, 510, 516, 522, 532, 513, 541

Color Choice	LED Size	Raw Chip Material	Emitted Color	Wave Length	Viewing Angle (Deg.)	Iv (mcd) Typical	If (mA) Typical	Vf (V) Typical
1	T 1-3/4	GaAlAs	Red	660	22	3000-4000	20	2.1
2	T 1-3/4	Gap	Green	565	20	750	20	1.8
3	T 1-3/4	AllnGap	Yellow	595	22	2000-3000	25	2.1
4	T 1-3/4	AllnGap	Amber	611	22	2000-3000	25	2.1
5	T 1-3/4	InGaN	Ultra Green	575	30	2200	25	3.5
6	T 1-3/4	InGaN	Blue	470	30	500	25	3.5
7	T 1-3/4	InGaN/ YAG	Pure White		45	1200	25	3.5

LED data for models 159, 197, 311

Color Choice	LED Size	Raw Chip Material	Emitted Color	Wave Length	Viewing Angle (Deg.)	Iv (mcd) Typical	If (mA) Typical	Vf (V) Typical
1	T-1	GaAlAs	Red	660	30	1250	20	1.8
2	T-1	Gap	Green	568	20	500	20	1.8
3	T-1	AllnGap	Yellow	595	30	500	25	2.1
4	T-1	AllnGap	Amber	611	30	500	25	2.1
5	T-1	InGaN	Ultra Green	575	30	1700	25	3.5
6	T-1	InGaN	Blue	470	30	650	25	3.5
7	T-1	InGaN/ YAG	Pure White		45	630	25	3.5

Section 7

Note: The specifications listed above are subject to change. For special LED requirements and color please contact SloanLED.