

# Brilliance by design

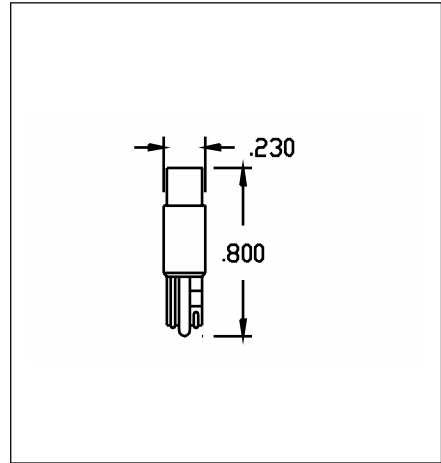
## LED Replacement for Incandescent Lamps

### MODEL 513

T-1 3/4 Wedge base LED is available in all colors. Direct replacement for T-1 3/4 wedge base incandescent lamps.

**FEATURES**

- Available in all colors and voltages
- Long life LEDs
- Low power consumption
- Direct replacement for: 11\*, 17, 18, 37, 56, 73, 74, 79, 84, 85 & 86



### HOW TO ORDER

**NOTE:**

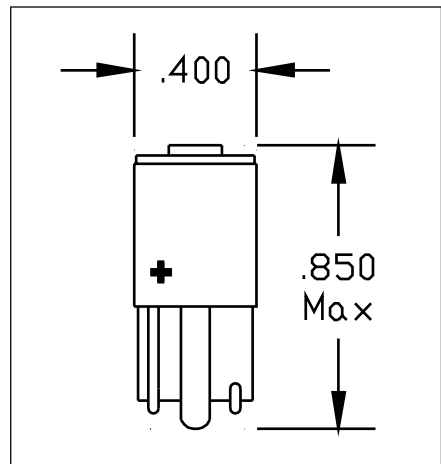
- \* External resistor required
- \*\*For voltage/current specs, see page 7-9

Voltage	Model No.
2.5vdc	513-205X*
5vdc	513-5X
6.3vdc	513-603X
14vdc	513-14X
28vdc	513-28X

Where the 'X' appears insert: 1-Red, 2-Green, 3-Yellow, 4-Amber, 5-Ultra Green, 6-Ultra Blue, 7-Pure White

### MODEL 516

T-3 1/4 Bi-pin LED is available in all colors. Direct replacement for the T-3 1/4 wedge base bi-pin incandescent lamps. Unit available in both standard 160 degree viewing angle for switches and wide viewing applications and 30 degree for narrow viewing surfaces that require extra brightness. Please specify when ordering. For example: 516-127D for 12vdc white LED for narrow ultra bright illumination or 516-127 for 12vdc white LED for wide bright illumination.



**513 516**

**FEATURES**

- Available in all colors and voltages
- Long life LEDs
- Low power consumption
- Direct replacement for: 124, 147, 152, 158, 159, 161, 168, 184, 190, 192-194, 259, 280, 285, 400, 444, 447, 464, 555, 585, 655, 656, 657, 658, 740, 758, 947, 3-501, 3-504, 3-505, 3-507

### HOW TO ORDER

Voltage	Model No.
5vdc	516-5X
6vdc	516-6X
7vdc	516-7X
12vdc	516-12X
14vdc	516-14X
24vdc	516-24X
28vdc	516-28X

Where the 'X' appears insert: 1-Red, 2-Green, 3-Yellow, 4-Amber, 5-Ultra Green, 6-Ultra Blue, 7-Pure White

**NOTE:**

- \*For voltage/current specs, see page 7-9

## *Brilliance by design*

### LED Replacements for Incandescent Lamps

#### LED Specifications and Technical Data

LED data for models 160, 162, 164, 460, 510, 516, 522, 532, 513, 541

Color Choice	LED Size	Raw Chip Material	Emitted Color	Wave Length	Viewing Angle (Deg.)	Iv (mcd) Typical	If (mA) Typical	Vf (V) Typical
1	T 1-3/4	GaAlAs	Red	660	22	3000-4000	20	2.1
2	T 1-3/4	Gap	Green	565	20	750	20	1.8
3	T 1-3/4	AllnGap	Yellow	595	22	2000-3000	25	2.1
4	T 1-3/4	AllnGap	Amber	611	22	2000-3000	25	2.1
5	T 1-3/4	InGaN	Ultra Green	575	30	2200	25	3.5
6	T 1-3/4	InGaN	Blue	470	30	500	25	3.5
7	T 1-3/4	InGaN/ YAG	Pure White		45	1200	25	3.5

LED data for models 159, 197, 311

Color Choice	LED Size	Raw Chip Material	Emitted Color	Wave Length	Viewing Angle (Deg.)	Iv (mcd) Typical	If (mA) Typical	Vf (V) Typical
1	T-1	GaAlAs	Red	660	30	1250	20	1.8
2	T-1	Gap	Green	568	20	500	20	1.8
3	T-1	AllnGap	Yellow	595	30	500	25	2.1
4	T-1	AllnGap	Amber	611	30	500	25	2.1
5	T-1	InGaN	Ultra Green	575	30	1700	25	3.5
6	T-1	InGaN	Blue	470	30	650	25	3.5
7	T-1	InGaN/ YAG	Pure White		45	630	25	3.5

Note: The specifications listed above are subject to change. For special LED requirements and color please contact SloanLED.