



Brilliance by design

SloanLED™

# T 3 1/4 - LED Lamps Bayonet or Screw Base - Models 159 & 197

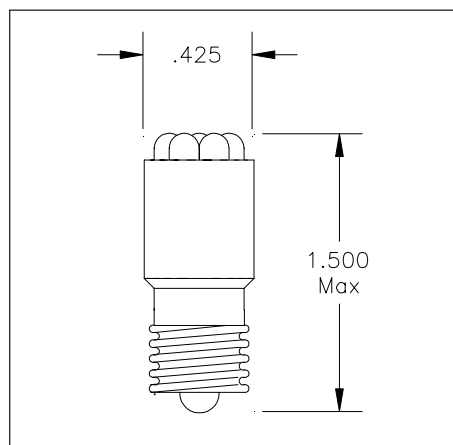
www.SloanLED.com

## MODEL 159

Miniature screw base incandescent replacement LED cluster for incandescent lamps. All models are dual polarity, which accomodate positive center, negative center and AC applications. This unit uses a cluster of high bright LEDs for maximum lumination at low power consumption.

### FEATURES

- Long Life LED
- Available in all colors and voltages
- Ultra Bright Green, Blue and White come with single 5mm LED
- Direct incandescent replacement for: 27, 31, 40, 46, 50, 52, 432, 501, 1147, 509K, 1445, 1449



NOTE:  
\*for voltage/current specs, see page 7-9

## HOW TO ORDER

Voltage	ModelNo.
5V	159-DP5X
12V	159-DP12X
24V	159-DP24X
28V	159-DP28X
48V	159-DP48X

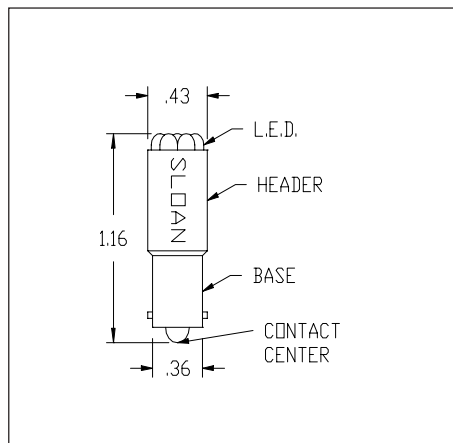
Where the 'X' appears insert: 1-Red, 2-Green, 3-Yellow, 4-Amber, 5-Ultra Green, 6-Ultra Blue, 7-Pure White

## MODEL 197

BA9 base incandescent replacement LED cluster for incandescent lamps. All models are dual polarity, which accomodate positive center, negative center and AC applications. This unit uses a cluster of high bright LEDs for maximum lumination at low power consumption.

### FEATURES

- Long Life LED
- Available in all colors and voltages
- Ultra Bright Green, Blue and White come with single 5mm LED
- Direct replacement for: 24MB, 28MB, 44, 47, 313, 356, 756, 1813, 1818, 1819, 1820, 1821, 1829, 1862, 1864, 1866, 1891



159 197

## HOW TO ORDER

Voltage	ModelNo.
5V	197-DP5X
12V	197-DP12X
24V	197-DP24X
28V	197-DP28X
48V	197-DP48X

Where the 'X' appears insert: 1-Red, 2-Green, 3-Yellow, 4-Amber, 5-Ultra Green, 6-Ultra Blue, 7-Pure White

NOTE:  
\*for voltage/current specs, see page 7-9

7-2