

Mini-Max M240 Temperature Indicator



- 3/64 DIN Temperature Indicator
- Jumper-selectable input type and °C/°F indication
- Screw terminal connectors for easy installation
- Unique mounting bracket allows for stacking of multiple meters

Dimensions - M235, M245 & M240



Specifications

DISPLAY	
Type	7-segment red LED
Height	0.56" (14.2mm)
Display resolution	0.1° from -99.9° to 999.9°; 1.0° below -100° or above 1000°; 0.1mV for mV indication
Overrange indication (T/C or mV)	The left-most digit shows 1: "1" (other digits are blank)
Open or faulty input connection	"----"
Uncalibrated instrument	Display will flash continuously "INFO FAIL CALB REQD" upon application of power.
Polarity	Automatic, with "-" indication; "+" indication implied
POWER REQUIREMENTS	
AC Voltage	85-250VAC @50-60Hz
Power Consumption	2VA
INPUTS	
Thermocouple	J, K
Millivolt	±70mV (uncompensated for temperature)
Lead Resistance Effect	-13µV/100Ω max.
RTD	Platinum 100 Ohm (.00385 alpha)
Lead Resistance Effect	4-wire -.26°C/100V max. 2- and 3-wire 1°/.29Ω max.
Temperature Coefficient	±0.2°C / °C

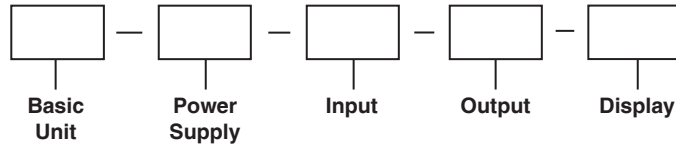
Input Type	Temperature Range	Accuracy @25°C
K T/C	-100 to 1370°C	±(0.1% rdg +1.5°C)
	-148 to 2498°F	±(0.1% rdg +2.7°F)
J T/C	-100 to 1200°C	±(0.1% rdg +1.5°C)
	-148 to 2192°F	±(0.1% rdg +2.7°F)
RTD Pt100 (4-wire)	-100 to 850°C	±(0.2% rdg +1.5°C)
	-148 to 1562°F	±(0.2% rdg +2.7°F)
mV	-70 to 70mV	±(0.1% rdg +0.1mV)

Input Impedance:	22MΩ
ENVIRONMENTAL	
Operating Temperature	0 to 55°C
Storage Temperature	-10 to 60°C
Relative Humidity	0 to 85% non-condensing
Warmup time	Less than 20 minutes
A TO D CONVERSION	
Technique	12 Bit Successive Approximation (SAR)
Rate	10 samples per second
NOISE REJECTION	
NMRR	60dB, 50/60Hz
CMRR	(w/1KΩ unbalanced @ 60Hz) 90dB min
MECHANICAL	
Bezel	0.94" x 2.83"
Depth	2.36"
Panel cutout	0.89" x 2.71"
Weight	3.5oz (99.2g)
Case Material	94-0,UL-rated, glass-filled thermoplastic

more >>

Ordering Information

Mini-Max Indicators can be configured by making an entry in each section. Example: M240-0-91-0-F.



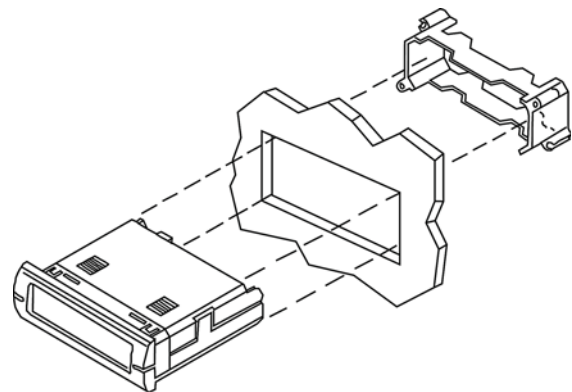
Selection	Description	Selection	Description
Basic Unit		Output	
M240	4 Digit LED	0	None
Power Supply		Display	
0	85-250 VAC	C F 0	°C °F mV
Input			
91	J T/C		
92	K T/C		
93	RTD Pt100 Ohm		
94	DC mV		



Thermocouples can be found in Accessories

Mounting Requirements

Insert the Mini-Max through the panel, and then slide the mounting bracket on to the Mini-Max. The mounting bracket allows Mini-Max units to be stacked side-to-side or top-to-bottom. Panel cutout instructions for stacking multiple units are provided under "stacking features" on our website.



See Dimensions on previous page