



AC TRMS Voltage

Mini-Max M235 Series Digital Panel Meter

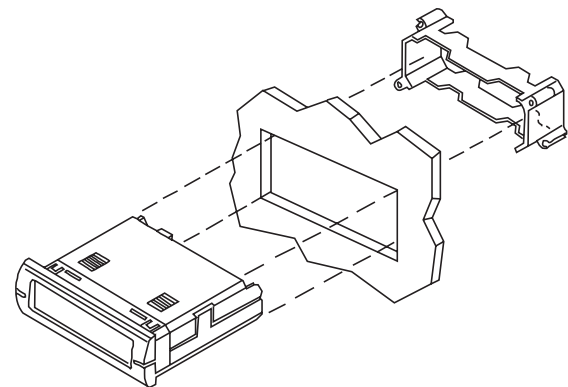
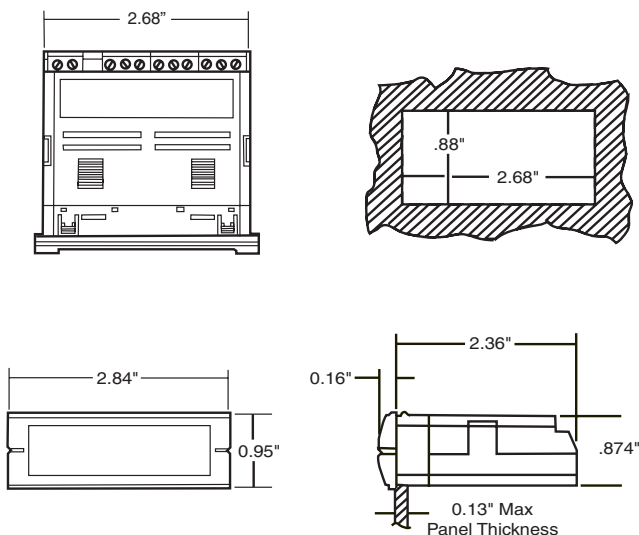
- *Minimum Depth Indicator - Less Than 2.5" (60mm) of Space Required Behind the Panel*
- *Stackable Mounting Bracket Included for Easy Installation*
- *3-1/2 Digit, 0.5" (12.7mm) High LCD Display with Optional Negative Image, Bright Red Backlighting*
- *Limited Range Display Scaling*
- *Standard Screw Terminals for Easy Installation*
- *Five Voltage Ranges: 200mV, 2V, 20V, 200V, 750V,*
- *85-250VAC, or 9-32VDC Power Supply*



Simpson's Mini-Max Voltage Indicators provide high quality, accuracy, and reliability in a compact, 60mm deep case. Units offer 3-1/2 digit, 0.5" (12.7mm) LCD display and are available with a bright red, negative image backlight option. All units feature user-selectable decimal point, auto zero and limited scaling capabilities.

A unique mounting bracket is provided to allow for vertical or horizontal stacking of multiple indicators. All Mini-Max units feature a 3/64 DIN, high-impact plastic case. The standard units have a clear viewing window, and the units with optional negative image, red backlighting have a red window.

Installation and Panel Cutout



Mounting Requirements

Insert the Mini-Max through the panel, and then slide the mounting bracket on to the Mini-Max. The mounting bracket allows Mini-Max units to be stacked side-to-side or top-to-bottom and maintain the DIN standard panel arrangements in 24mm by 72mm multiples. Panel cutout instructions for stacking multiple units are provided under "stacking features."

Specifications

DISPLAY

Type: 7-segment LCD

Height: 0.5" (12.7mm)

Decimal point: 3-position programmable

Overrange indication: Most significant digit = "1"

Backlighting: Optional negative image, red backlighting

Polarity: Auto with "-" indication, "+" implied

POWER REQUIREMENTS

AC Volt: 85-250VAC @40-440Hz

DC Volt: 9-32VDC

Power Consumption:

85-250VAC: 2.5VA min/4VA max

9-32VDC: 1.5VA min/3VA max

Rated Circuit to Ground Voltage:

750VRMS

ACCURACY @ 25°C

±(0.5% of reading + 5 count) (50 Hz - 2KHz)

ENVIRONMENTAL

Operating Temperature: 0 to 55°C

Storage Temperature: -10 to 60°C

Relative Humidity: 0 to 85% non condensing @ 40°C

Temperature Coefficient:

(± 0.02% of input ± 0.2 digits)/°C

Warmup time: Less than 20 minutes

NOISE REJECTION

NMR: 60dB, 50/60Hz

CMRR: (w/1KΩ unbalanced @ 60Hz): 90dB min

ANALOG TO DIGITAL CONVERSION

Technique: Integrating

Rate: 3 samples/second-typical

MECHANICAL

Bezel: 0.95" x 2.84" (24mm x 72mm)

Depth: 2.36" (60mm)

Panel cutout: 0.88" x 2.68" (22.2mm x 68mm)

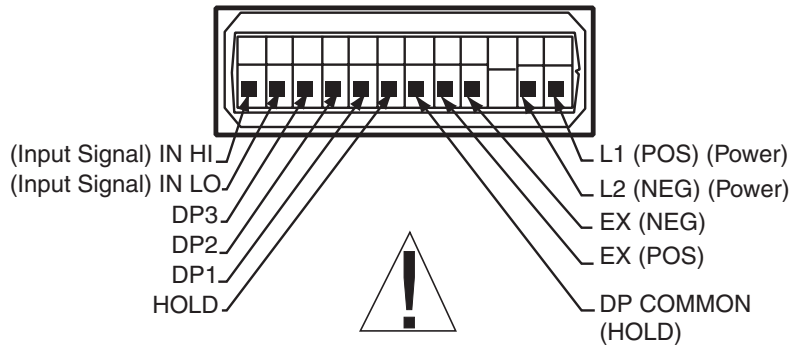
Weight: 3.5oz (99.2g)

Case Material: 94-0,UL-rated glass-filled thermoplastic

INPUTS: AC Voltage

Range	Resolution	Input Impedance	Maximum Input
200mV	100µV	>100MΩ	100V
2V	1mV	10MΩ	750V
20V	10mV	10MΩ	750V
200V	100mV	10MΩ	750V

Wiring Display



These instruments are designed for maximum safety to the operator when mounted in a panel according to instructions. They are not to be used unmounted or for exploratory measurements in unknown circuits.

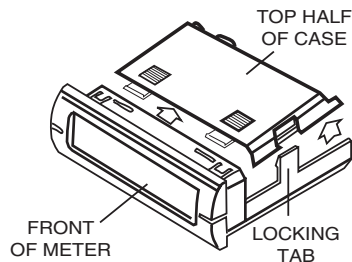
Decimal Point: To select a decimal point, connect the appropriate DP pin (DP1, DP2, or DP3) to the DP COMMON (HOLD). Unused DP inputs may remain unconnected (open).

Display Hold: Connect HOLD to DP COMMON (HOLD). If this feature is not required, the DP COMMON (HOLD) pin may remain unconnected (open).

Input Signal: Connect the IN HI and IN LO to the signal to be monitored.

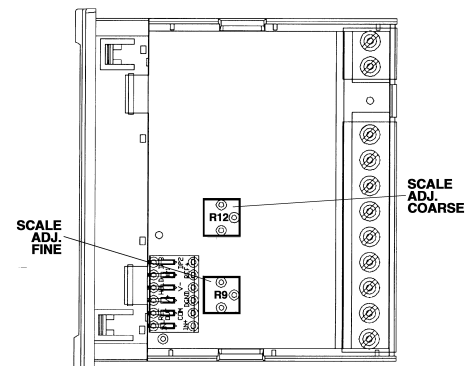
Input Power: Connect power to the L1 and L2 terminals. For AC powered units, L1 and L2 are not polarized. **For 9-32 DC powered units, L1 must be positive with respect to L2.**

Display Scaling



Using a screwdriver or thumbnail, spread tab on each side of case to unlock top half. Lift rear top half and slide away from front of meter.

Mini-Max indicators have limited range coarse and fine adjustments for display scaling. There are no optional connections required for these to function. The "COARSE" calibration R12 will allow a limited range of scaling values. The meter can be scaled down to 1/2 the value of the input or scaled up to 2 times the value of the input or a maximum reading of 1999, whichever is lower. Example: a 2 volt input has a maximum reading of 1.999 counts, so you cant double the 2 volts, but you can make 1 volt to read 1.999. The "FINE" calibration R9 allows for an approximate range of 1% of the "coarse" calibration. Apply full scale input to the meter. Adjust R12 to be within 1% of the desired scaled value, then use R9 to obtain the final desired result.



Note: Any physical damage to the meter during calibration will void the warranty.

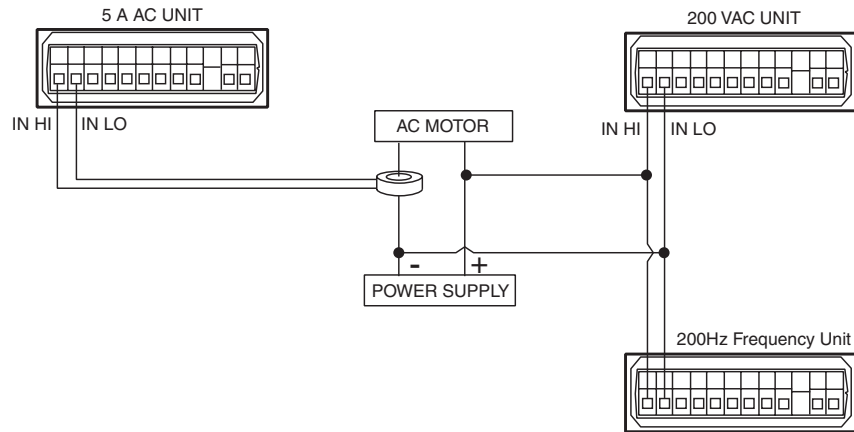
Application Example

A company needs to monitor the power supply voltage (120VAC), load current (50 amps), and frequency (60Hz) of an AC motor.

Voltage: A Mini-Max 200 Volt AC meter is installed in parallel with the power supply.

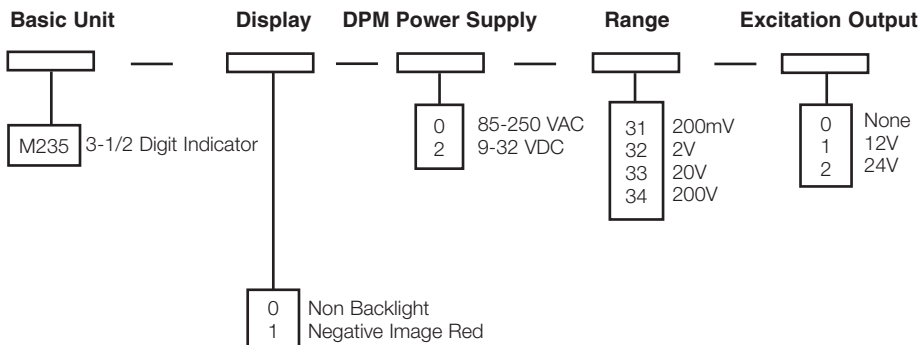
Current: A Mini-Max 5 Amp AC meter is attached to a 50:5 amp Donut Current Transformer. The meter must be scaled to display 50.00 when five amps are applied. R9 and R12 are adjusted until the correct value is displayed. The meter is connected to the Donut, and the negative line is fed through the Donut.

Frequency: A Mini-Max 200Hz Frequency meter is installed in parallel with the power supply. The wiring for the volt meter can be split to the frequency meter as long as the voltage will not exceed 750 volts AC. [Note: Frequency available in model M235 only.]



Ordering Information

Your Mini-Max Voltage Indicator can be configured by making an entry for each box



Note: Models for DC voltage, DC Current, DC process, AC current, frequency, and temperature are also available.

Note: Special scaling is available from the factory at the time of ordering.

Safety Symbols

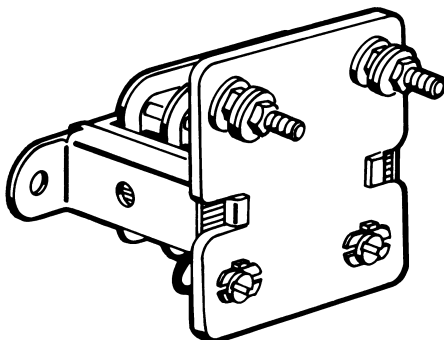


The WARNING sign denotes a hazard. It calls attention to a procedure, practice, or the like, which, if not correctly performed or adhered to, could result in personal injury.



The CAUTION sign denotes a hazard. It calls attention to an operating procedure, practice, or the like, which, if not correctly adhered to, could result in damage to or destruction of part or all of the instrument.

Accessories



Model 186 Current Transformers easily convert a current signal (up to 50A) into a 0-10AC volt signal and transmit the signal over a long distance. This allows remote monitoring of a process or application.

These units can be coupled with a Donut Current Transformer if a high current rating (up to 1999 amps) is to be monitored at a remote location.

Ordering Information

Range	VA	Cat. Number
0-5 amp	0.75	01312
0-10 amp	1.45	01314
0-15 amp	1.05	01315
0-20 amp	1.04	01316
0-25 amp	1.50	01317
0-30 amp	1.10	01318
0-40 amp	1.09	01319
0-50 amp	1.90	01321
0-100 mA	0.50	01295
0-500 mA	0.53	01304