

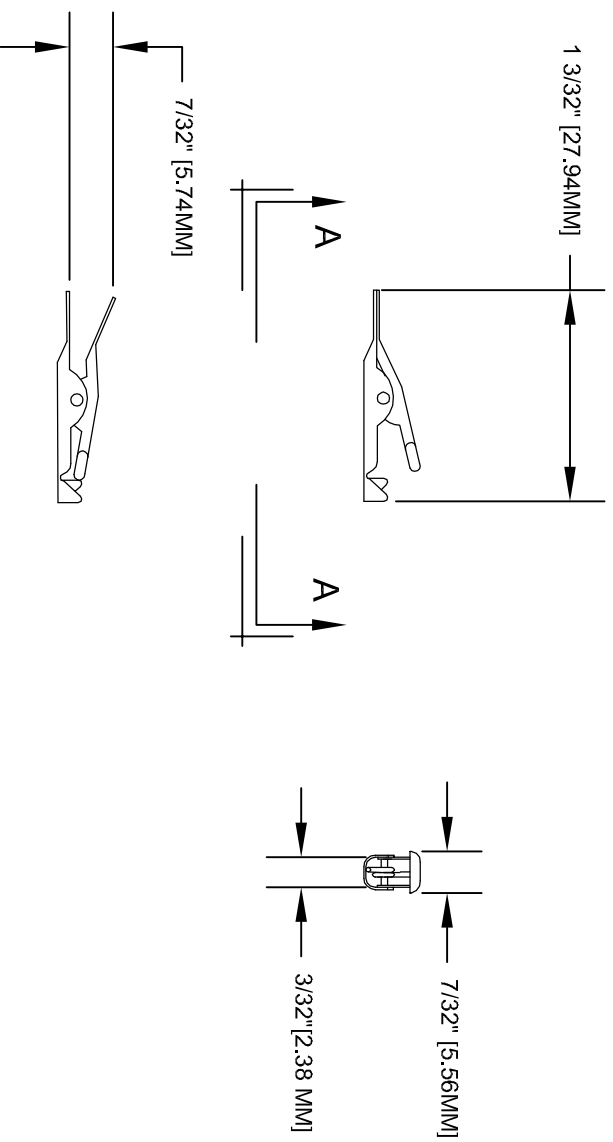
SPECCLEADS
by Silvertronix

This drawing is not to be disclosed to a third party without the authority from the company ©

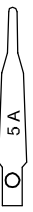
Date	8-21-09	DRN BY	MEA	TITLE	TOOTHLESS ALLIGATOR CLIP
MAT'L	STEEL	SCALE	NONE	CURRENT RATING:	5 AMP

ISSUE NO.	0	1						
	8-21-09	9-15-09						

PART NO.
502008
PROJ. NO.



FINISH: ZINC PLATED



SECTION A-A

ASSEMBLY NO.	PACKAGING :	PRINTING AS ILLUSTRATED	CONCENTRICITY:	ANGLES
--------------	-------------	-------------------------	----------------	--------