

SPECCLEADS
by Silvertronix

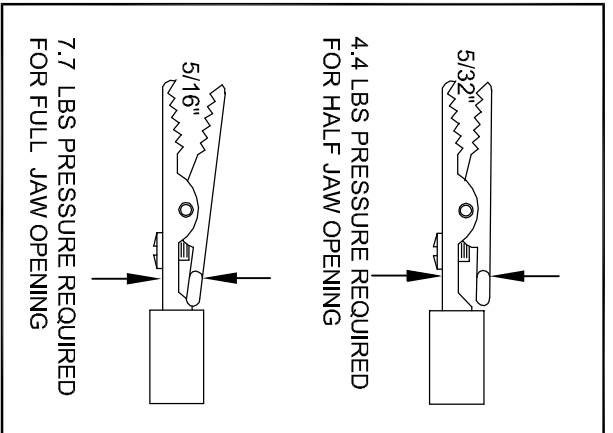
This drawing is not to be disclosed to a third party without the authority from the company ©

Date	8-20-09	DRN BY	MEA	TITLE	ALLIGATOR CLIP WITH BARREL, SCREW & HANDLE
MAT'L	COPPER	SCALE	NONE	CURRENT RATING:	10 AMP

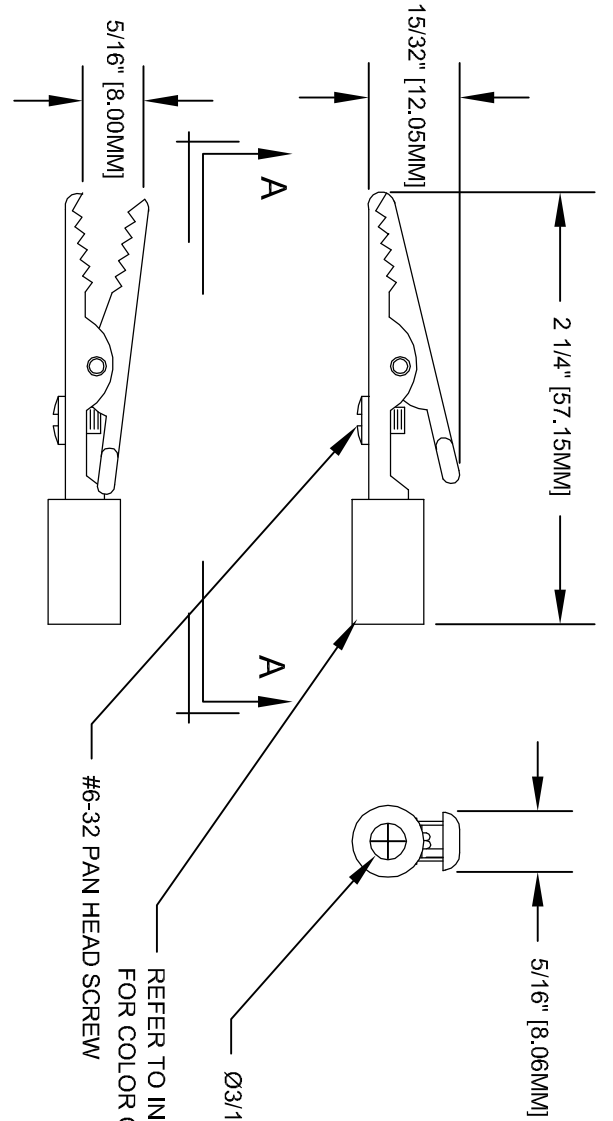
ISSUE NO.	0	1																		
	8-20-09	9-15-09																		

PART NO.	502000C
PROJ. NO.	

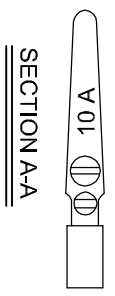
FEDERAL SPEC : CID AA59466-010



SPRING TESTED PER
FED. SPEC. #WC440B
FINISH: NONE
INSULATION MATERIAL: ACETATE



INSULATOR COLORS	
_R =	RED
_B =	BLACK
_Y =	YELLOW
_G =	GREEN
_BL =	BLUE
_G =	GREEN
_W =	WHITE



ASSEMBLY NO. PACKAGING: PRINTING AS ILLUSTRATED CONCENTRICITY: ANGLES