

**SPECLEADS**  
by Silvertronix

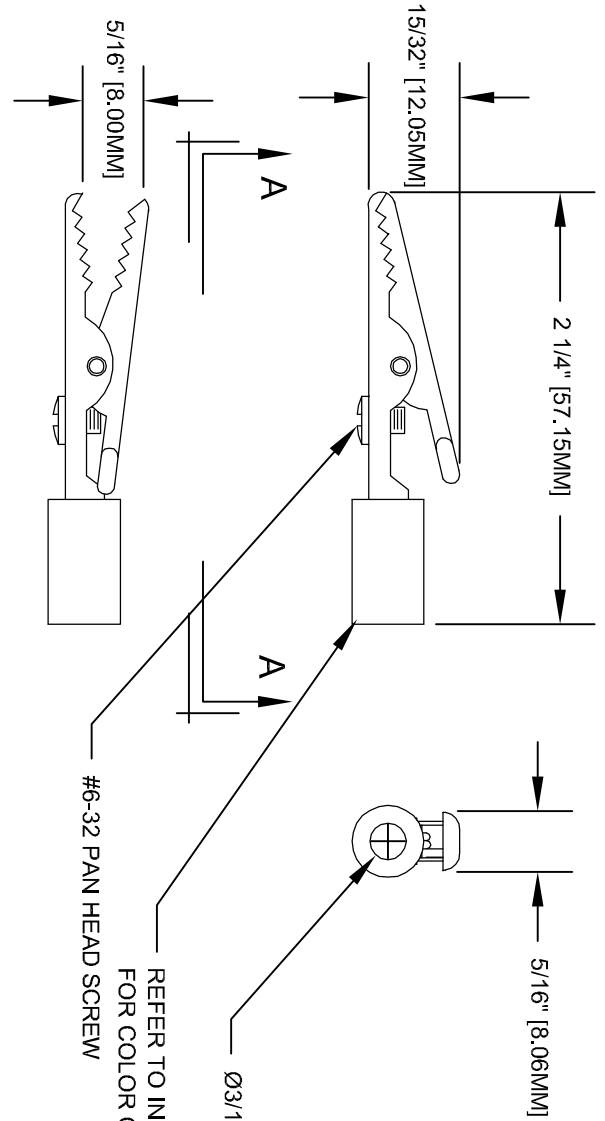
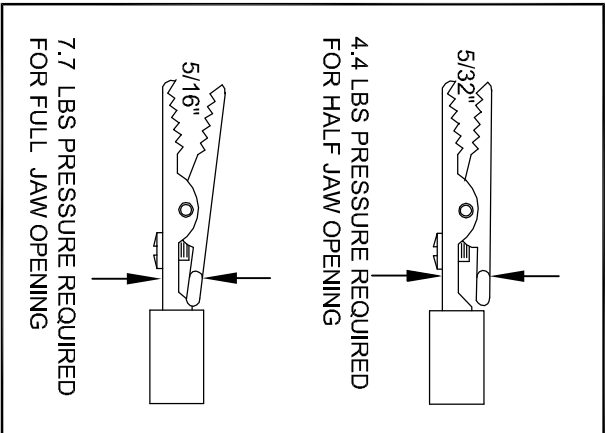
This drawing is not to be disclosed to a third party without the authority from the company ©

Date	8-20-09	DRN BY	MEA	TITLE	ALLIGATOR CLIP WITH BARREL, SCREW & HANDLE
MAT'L	STEEL	SCALE	NONE	CURRENT RATING:	10 AMP

ISSUE NO.	0	1																		
	8-20-09	9-15-09																		

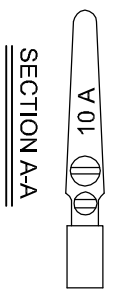
PART NO.	502000
PROJ. NO.	

FEDERAL SPEC : CID AA59466-010



INSULATOR COLORS	
_R =	RED
_B =	BLACK
_Y =	YELLOW
_G =	GREEN
_BL =	BLUE
_G =	GREEN
_W =	WHITE

SPRING TESTED PER  
FED. SPEC. #WC440B  
FINISH: NICKEL PLATED  
INSULATION MATERIAL: ACETATE



ASSEMBLY NO.      PACKAGING:      PRINTING AS ILLUSTRATED      CONCENTRICITY:      ANGLES