

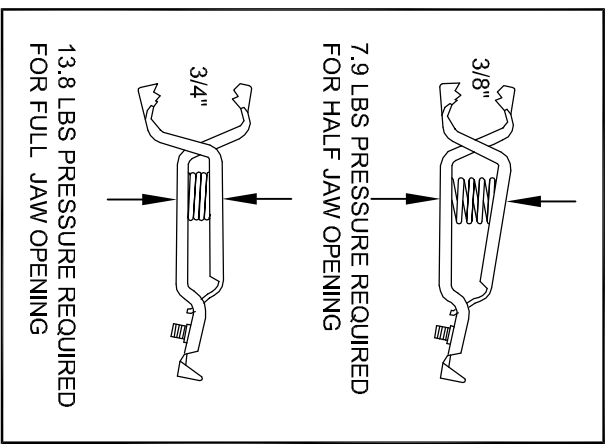
SPECLEADS

by Silvertronix

This drawing is not to be disclosed to a third party without the authority from the company ©

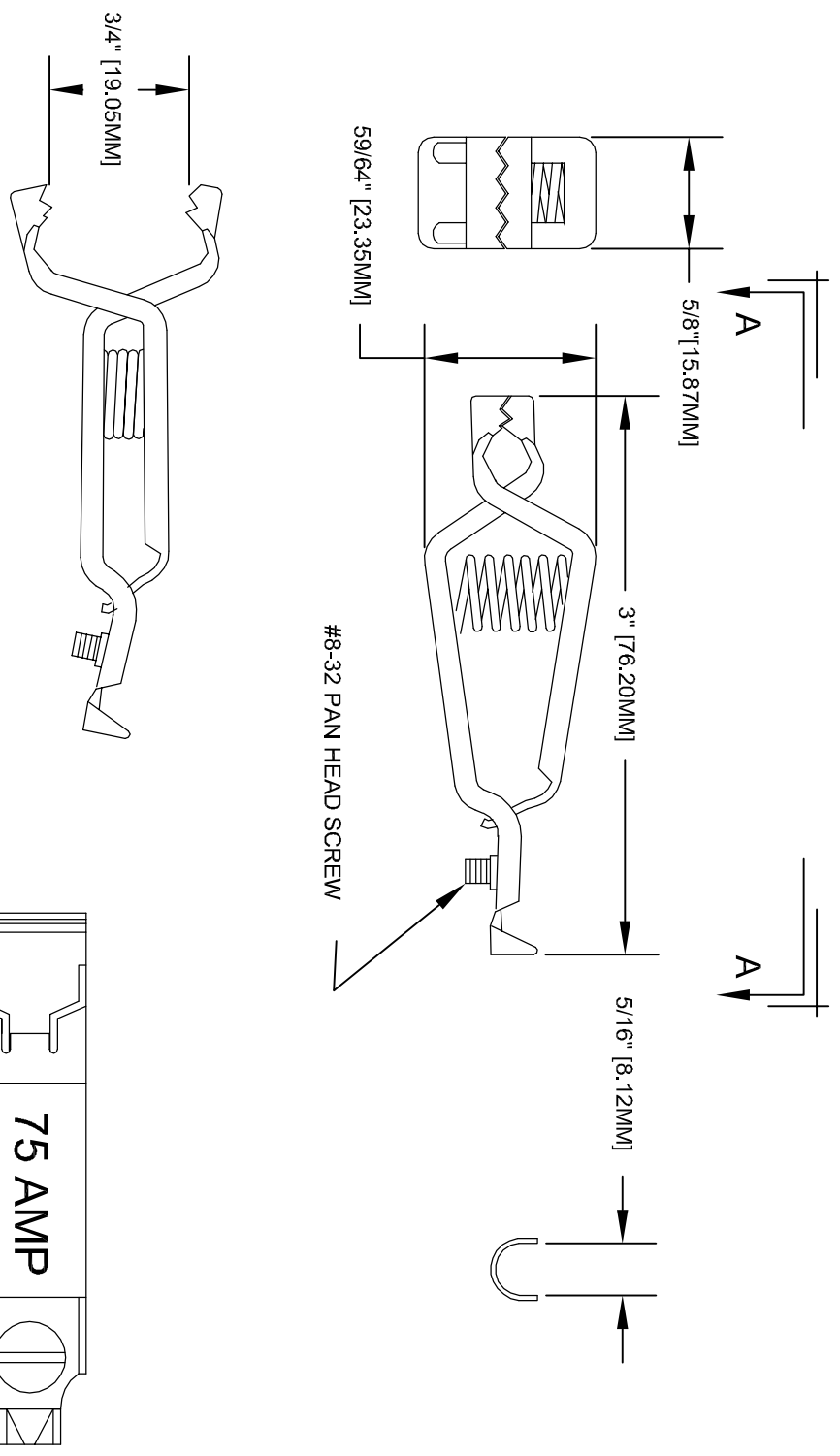
Date	8-18-09	DRN BY	MEA	TITLE	ISSUE NO.	PART NO.
MAT'L	COPPER	SCALE	NONE	AUTO CLIP SOLID COPPER	0	501997C
				CURRENT RATING: 75 AMP	1	PROJ. NO.

FEDERAL SPEC : CID AA59466-010



SPRING TESTED PER FED. SPEC. #AWC440B
FORCE APPLIED ON THE CENTER OF SPRING AXIS

FINISH: NONE



ASSEMBLY NO.

PACKAGING :

PRINTING AS ILLUSTRATED

CONCENTRICITY:

ANGLES