



|         |        |
|---------|--------|
| Date    | DRN BY |
| 8-15-09 | MEA    |
| MAT'L   | SCALE  |
| COPPER  | NONE   |

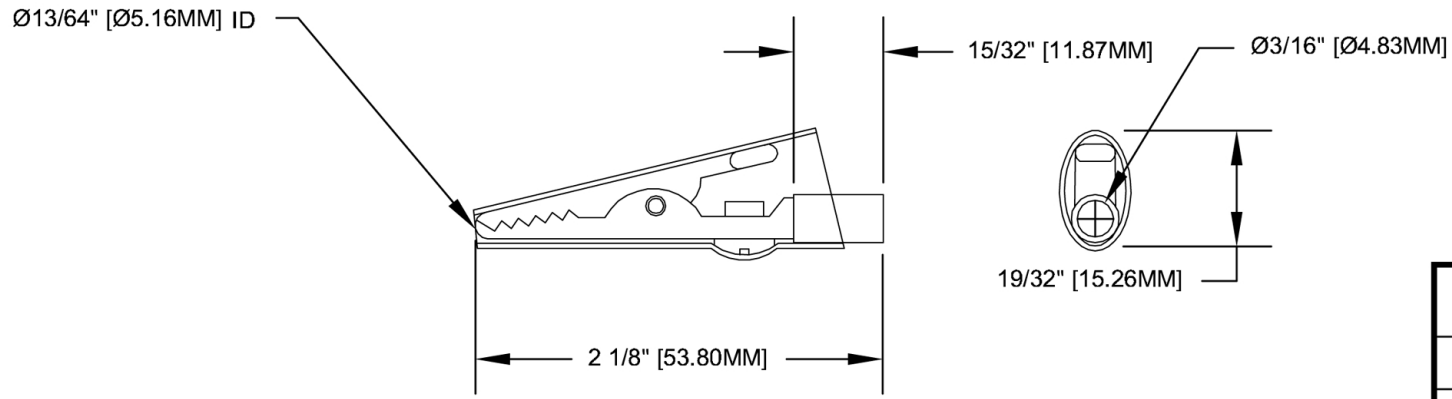
|        |       |
|--------|-------|
| DRN BY | SCALE |
| MEA    | NONE  |
| SCALE  |       |
|        |       |

|                 |                                    |
|-----------------|------------------------------------|
| TITLE           | ALLIGATOR CLIP<br>COPPER INSULATED |
| CURRENT RATING: | 10 AMP                             |

|           |         |  |  |  |  |  |  |  |  |
|-----------|---------|--|--|--|--|--|--|--|--|
| ISSUE NO. | 0       |  |  |  |  |  |  |  |  |
|           | 8-15-09 |  |  |  |  |  |  |  |  |

|           |         |
|-----------|---------|
| PART NO.  | 501993C |
| PROJ. NO. |         |

This drawing is not to be disclosed to a third party without the authority from the company ©



FINISH: NONE  
INSULATOR MATERIAL: PVC

| INSULATOR COLORS |
|------------------|
| _R = RED         |
| _B = BLACK       |
| _Y = YELLOW      |
| _G= GREEN        |
| _BL = BLUE       |
| _G= GREEN        |
| _W = WHITE       |

|              |             |                         |                |        |
|--------------|-------------|-------------------------|----------------|--------|
| ASSEMBLY NO. | PACKAGING : | PRINTING AS ILLUSTRATED | CONCENTRICITY: | ANGLES |
|--------------|-------------|-------------------------|----------------|--------|