

**SPECLEADS**  
by Silvertronix

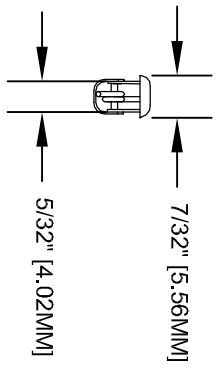
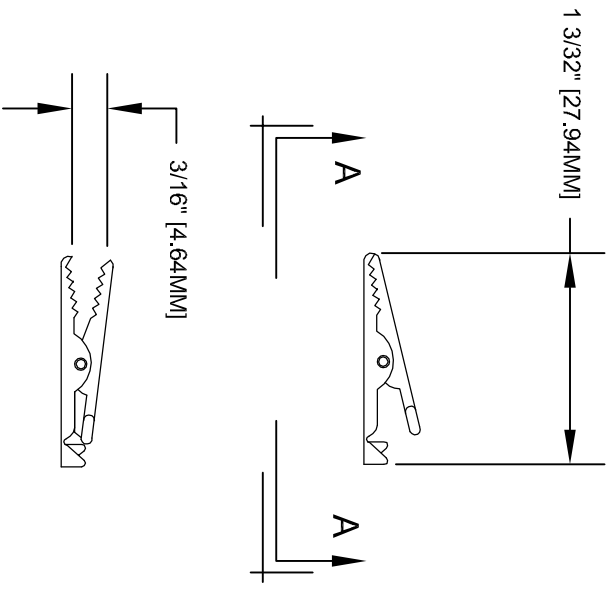
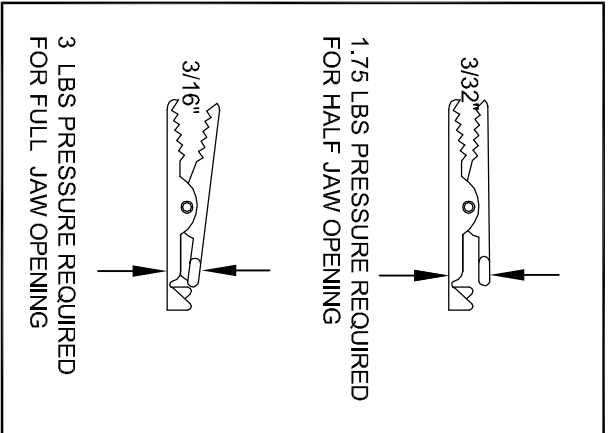
This drawing is not to be disclosed to a third party without the authority from the company ©

|       |         |        |      |                 |                                |
|-------|---------|--------|------|-----------------|--------------------------------|
| Date  | 8-20-09 | DRN BY | MEA  | TITLE           | MINIATURE ALLIGATOR CLIP STEEL |
| MAT'L | STEEL   | SCALE  | NONE | CURRENT RATING: | 5 AMP                          |

|           |         |         |  |  |  |  |  |  |
|-----------|---------|---------|--|--|--|--|--|--|
| ISSUE NO. | 0       | 1       |  |  |  |  |  |  |
|           | 8-20-09 | 9-12-09 |  |  |  |  |  |  |

|           |        |
|-----------|--------|
| PART NO.  | 501793 |
| PROJ. NO. |        |

FEDERAL SPEC : CID AA59466-010



FINISH: NICKEL PLATED

|              |             |                         |                |        |
|--------------|-------------|-------------------------|----------------|--------|
| ASSEMBLY NO. | PACKAGING : | PRINTING AS ILLUSTRATED | CONCENTRICITY: | ANGLES |
|--------------|-------------|-------------------------|----------------|--------|