



Date	DRN BY
8-31-09	MEA
MAT'L	SCALE
NOTED	NONE

DRN BY	SCALE
MEA	NONE
SCALE	NONE
NONE	NONE

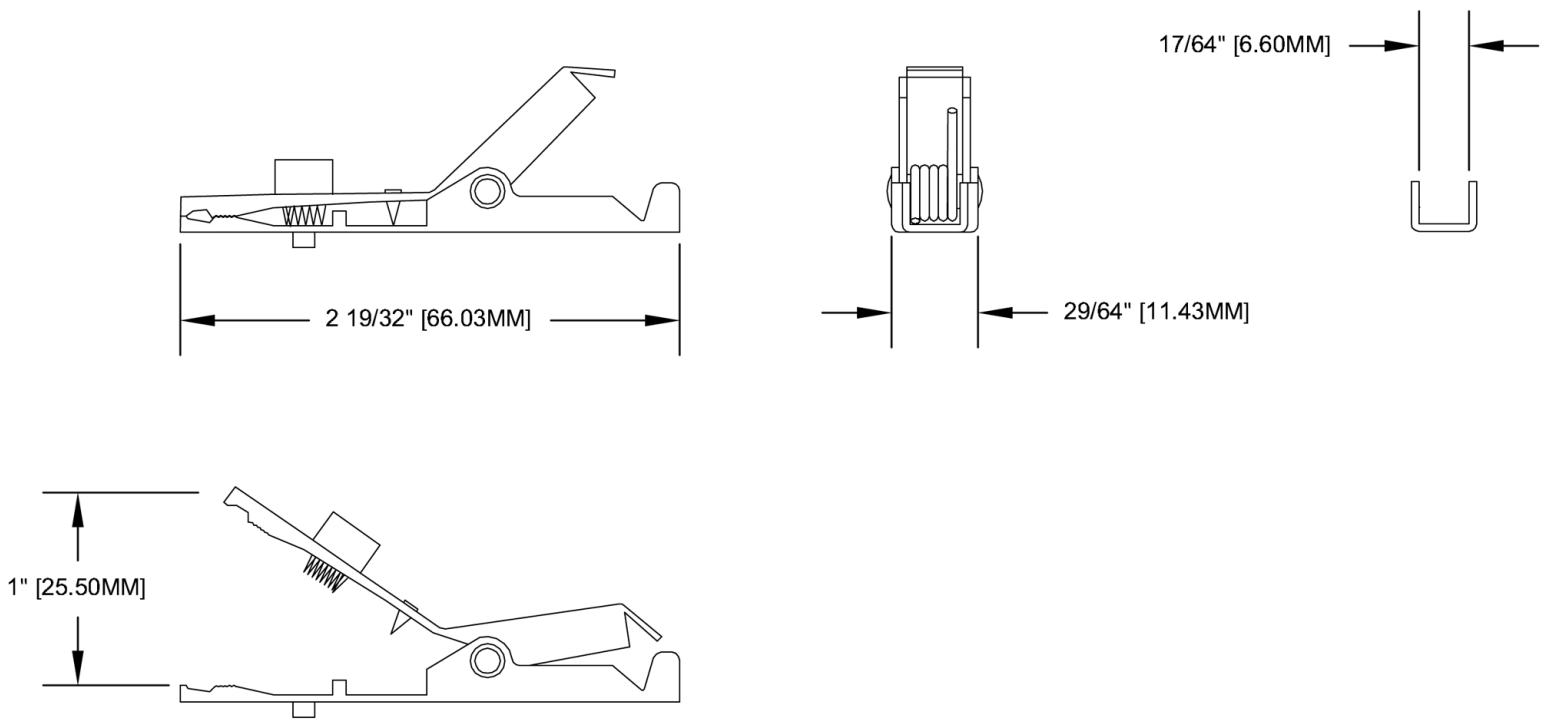
TITLE	CURRENT RATING:
TELECOM CLIP, NAIL BED & SINGLE SPIKE COMBO	

ISSUE NO.	0	1						
	8-31-09	9-8-09						

PART NO.	501791
PROJ. NO.	

This drawing is not to be disclosed to a third party without the authority from the company ©

501791_B = 501791 CLIP & 400013_B INSULATOR INSTALLED
 501791_R = 501791 CLIP & 400013_R INSULATOR INSTALLED



FINISH: NICKEL-SILVER JAW MATERIAL

ASSEMBLY NO.	PACKAGING :	PRINTING AS ILLUSTRATED	CONCENTRICITY:	ANGLES
--------------	-------------	-------------------------	----------------	--------