

SFH250V

100MBd Analog Receiver Diode with Direct Fiber Connector

Description

The SFH250V is a low-cost 650nm receiver diode for simple optical data transmission with polymer optical fiber. It incorporates an analog photodiode and can be used for speeds up to 100MBd.

The V-housing allows easy coupling of unconnectorized 2.2mm plastic optical fiber by means of an axial locking screw.



Lifecycle status: **Active**



Features

- Low-cost 650nm receiver photodiode
- Fast Switching Time
- Good Linearity
- V-housing with axial locking screw for easy fiber coupling of 2.2mm plastic fiber
- Molded microlens for efficient coupling
- Light tight housing for superior crosstalk
- Auto insertable and wave solderable
- RoHS compliant

Applications

- Industrial control systems in EMI critical surroundings
- High-voltage isolation, e.g. for IGBT control, lightning protection etc.

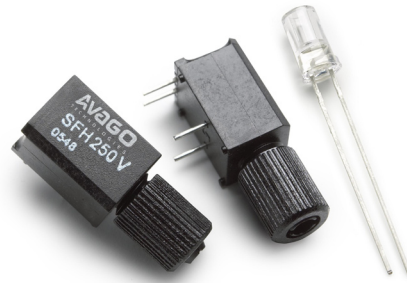
SFH250 / SFH250V

Plastic Fiber Optic Photodiode Detector

Plastic Connector Housing



Data Sheet



Description

The SFH250 is a low-cost 650nm receiver diode for simple optical data transmission with polymer optical fiber. It incorporates an analog photodiode and can be used for speeds up to 100MBd.

The transparent plastic package has an aperture where the 2.2mm fiber end can be inserted and fixed with glue. This easy coupling method is extremely cost-effective.

The V-housing allows easy coupling of unconnectorized 2.2mm plastic optical fiber by means of an axial locking screw.

Ordering Information

Type	Ordering Code
SFH250	SP000063866
SFH250V	SP000063852

Features

- 2.2 mm Aperture holds Standard 1000 Micron Plastic Fiber
- No Fiber Stripping Required
- Fast Switching Time
- Good Linearity
- Sensitive in visible and near IR Range
- Molded Microlens for Efficient Coupling

Plastic Connector Housing

- Mounting Screw Attached to the Connector
- Interference Free Transmission from light-Tight Housing
- Transmitter and Receiver can be flexibly positioned
- No Cross Talk
- Auto insertable and Wave solderable
- Supplied in Tubes

Applications

- Household Electronics
- Power Electronics
- Optical Networks
- Light Barriers

Technical Data

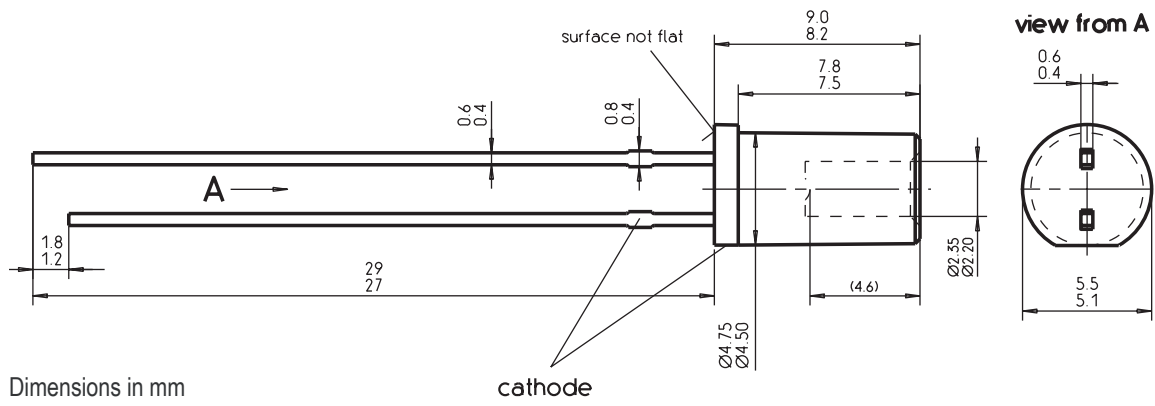
Absolute Maximum Ratings

Parameter	Symbol	Limit Values		Unit
		min.	max.	
Operating Temperature Range	T_{OP}	-40	+85	°C
Storage Temperature Range	T_{STG}	-40	+100	°C
Junction Temperature	T_J		100	°C
Soldering Temperature (2mm from case bottom, $t \leq 5$ s)	T_S		260	°C
Reverse Voltage	V_R		30	V
Power Dissipation	P_{TOT}		100	mW
Thermal Resistance, Junction/Air	R_{thJA}		750	K/W

Characteristics ($T_A = 25^\circ\text{C}$)

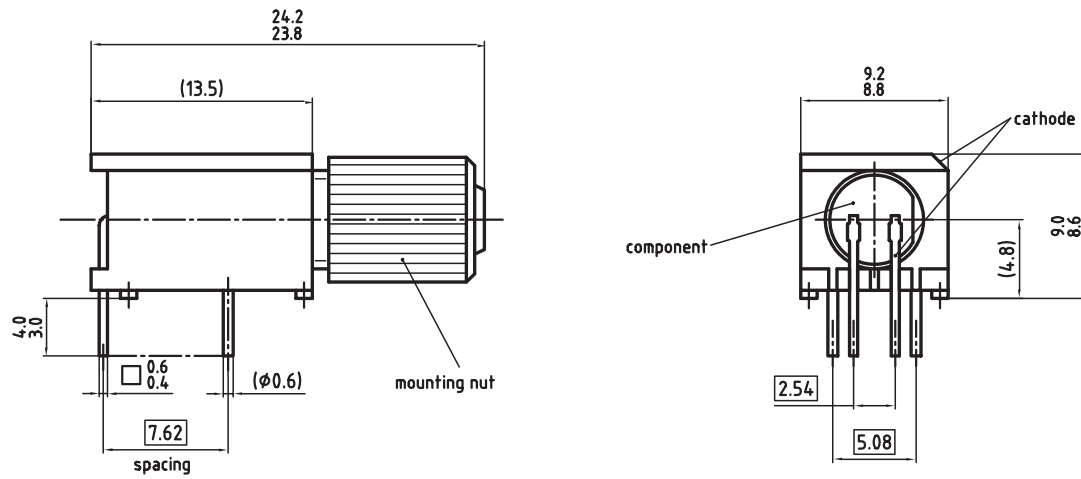
Parameter	Symbol	Values			Unit
		Min	Typ	Max	
Maximum Photosensitivity Wavelength	λ_{Smax}		850		nm
Photosensitivity Spectral Range ($S = 10\% S_{max}$)	λ	400		1100	nm
Dark Current ($V_R = 20$ V)	I_R		1 (≤ 10)		nA
Capacitance ($f = 1$ MHz, $V_R = 0$ V)	C_0		11		pF
Rise and Fall Times of Photo Current ($R_L = 50 \Omega$, $V_R = 30$ V, $\lambda = 880$ nm)					μs
10% to 90%	t_R		0.01		
90% to 10%	t_F		0.01		
Photo Current ($\Phi_{IN} = 10 \mu\text{W}$ coupled from the end of a plastic fiber, $V_R = 5$ V)					μA
$\lambda = 660$ nm	I_P		3 (≥ 1.6)		
$\lambda = 950$ nm			4 (≥ 2.5)		
Temperature Coefficient $I_P \lambda = 560$ to 660 nm	TC_I		-0.04		%/K
Temperature Coefficient $I_P \lambda = 830$ nm			0.04		
Temperature Coefficient $I_P \lambda = 950$ nm			0.2		

Package Outlines



Dimensions in mm

Figure 5. SFH250



Dimensions in mm

Figure 6. SFH250V