



2.5 inch 850 Series Round Barrel Meter

2.5 inch round barrel meter. 5% accuracy.

Description:

- DC models use moving magnet technology
- AC models use double vane repulsion technology
- Jeweled bearing
- Polystyrene case with metal scales
- White field with black print
- Age and moisture resistant
- Install in front of panel or behind panel
- Special scales, ranges, and dampening available

The following tables list part numbers for standard ranges. Remove the "z" from the part number to order without zero adjust.

DC Milliammeters

Range	Part #
0-1 mA	8336z
0-3 mA	8301z
0-5 mA	8302z
0-10 mA	8303z
0-15 mA	8304z
0-25 mA	8305z
0-50 mA	8306z
0-100 mA	8307z
0-150 mA	8308z
0-200 mA	8309z
0-300 mA	8310z
0-500 mA	8312z

DC Ammeters

Range	Part #
0-1 Amps	8201z
0-3 Amps	8202z
0-5 Amps	8203z
0-10 Amps	8205z
0-15 Amps	8206z
0-20 Amps	8204z
0-25 Amps	8207z
0-50 Amps	8208z
10-0-10 Amps	8213z
20-0-20 Amps	8214z
30-0-30 Amps	8215z
50-0-50 Amps	8216z

DC Voltmeters

Range	Part #	Notes
0-3 Volts	8102z	
0-5 Volts	8104z	
0-10 Volts	8107z	
0-15 Volts	8108z	
0-25 Volts	8109z	
0-30 Volts	8120z	
0-50 Volts	8122z	
0-100 Volts	8113z	
0-150 Volts	8115z	
0-300 Volts	8117z	
0-500 Volts	8118z	Supplied w/ ext. resistor

AC Milliammeters

Range	Part #
0-10 mA	8607z
0-25 mA	8601z
0-50 mA	8602z
0-100 mA	8603z
0-250 mA	8604z
0-500 mA	8605z

AC Ammeters

Range	Part #	Notes:
0-1 Amps	8501z	
0-3 Amps	8502z	
0-5 Amps	8503z	
0-15 Amps	8508z	
0-5/0-30 Amps	8503z-30	For use with external CT
0-5/0-50 Amps	8503z-50	For use with external CT
0-5/0-100 Amps	8503z-100	For use with external CT
0-5/0-150 Amps	8503z-150	For use with external CT
0-5/0-200 Amps	8503z-200	For use with external CT
0-10 Amps	8504z	
0-30 Amps	8505z	
0-50 Amps	8506z	
0-80 Amps	8507z	

AC Voltmeters

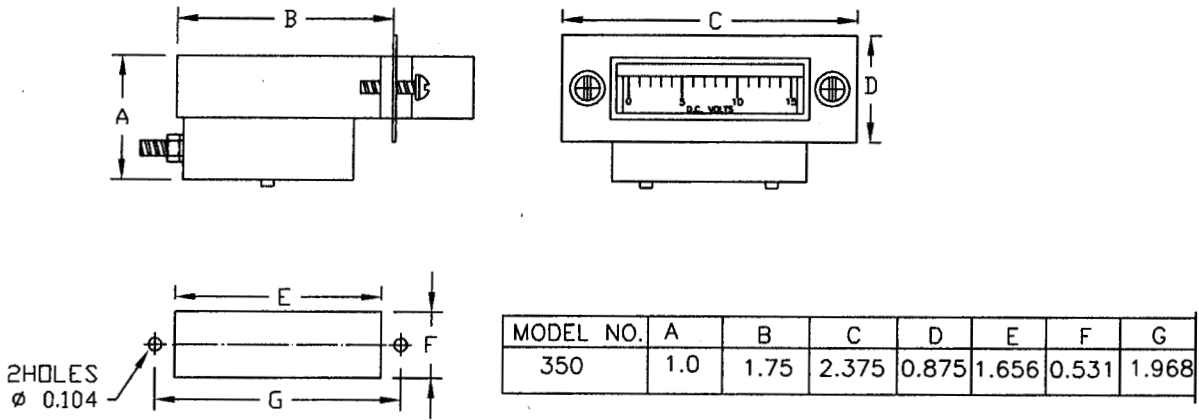
Range	Part #	Notes
0-10 Volts	8403	
0-15 Volts	8404	
0-25 Volts	8412	
0-50 Volts	8405	
0-150 Volts	8406	
0-300 Volts	8407	Supplied w/ ext. resistor
0-500 Volts	8414	Supplied w/ ext. resistor

VU Meters

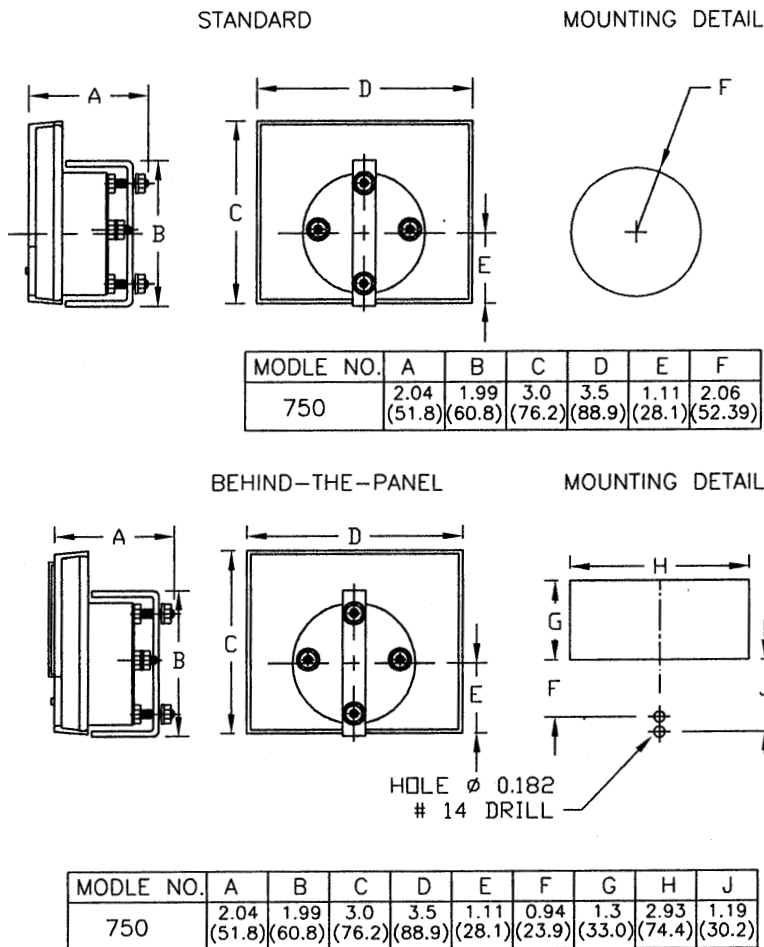
Range	Part #
-20 to +3 VU	8801z

Installation Drawings

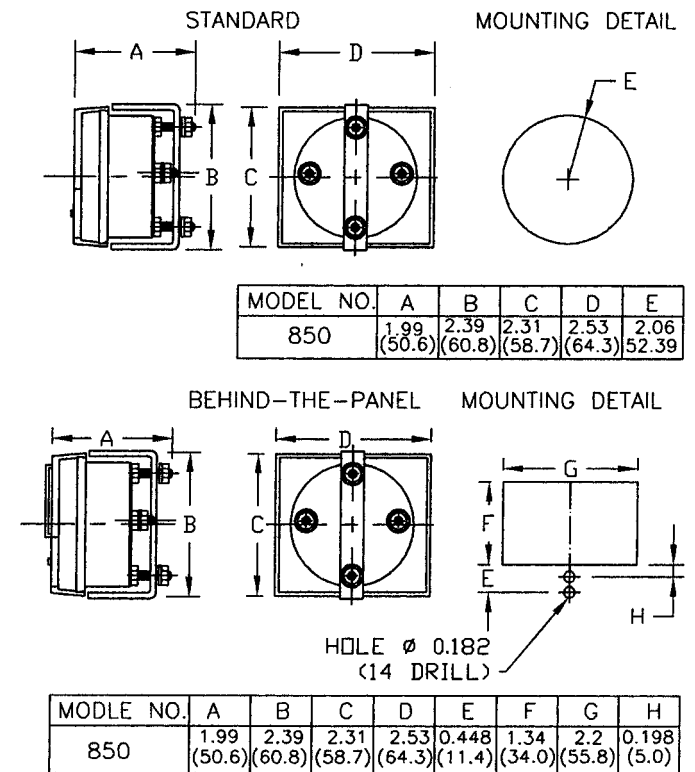
350 SERIES



750 SERIES



850 SERIES





1.5 INCH 350 SERIES EDGEWISE METER

Accuracy: 5%

Technology: DC Models, polarized-vane solenoid or moving magnet AC Models, double-vane repulsion, jeweled bearing

Description: 1.5 inch edgewise, Polystyrene cases with metal scales, white field, printed black, age and moisture resistant, install in front or behind panels, special scales, ranges and dampening available

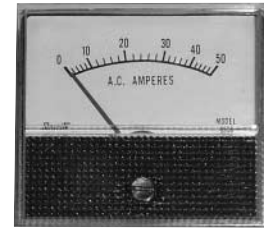


3.5 INCH 750 SERIES ROUND BARREL METER

Accuracy: 5%

Technology: DC Models, polarized-vane solenoid or moving magnet AC Models, double-vane repulsion, jeweled bearing

Description: 3.5 inch, Polystyrene cases with metal scales, white field, printed black, age and moisture resistant, install in front or behind panels, special scales, ranges and dampening available



2.5 INCH 850 SERIES ROUND BARREL METER

Accuracy: 5%

Technology: DC Models, polarized-vane solenoid or moving magnet AC Models, double-vane repulsion, jeweled bearing

Description: 2.5 inch, Polystyrene cases with metal scales, white field, printed black, age and moisture resistant, install in front or behind panels, special scales, ranges and dampening available

DC Milliammeters

RANGE	PART #	RANGE	PART #
0-1 Milli Amps	3300	0-100 Milli Amps	3307
0-3 Milli Amps	3301	0-150 Milli Amps	3308
0-5 Milli Amps	3302	0-200 Milli Amps	3309
0-10 Milli Amps	3303	0-300 Milli Amps	3310
0-25 Milli Amps	3305	0-500 Milli Amps	3312
0-50 Milli Amps	3306		

DC Ammeters

RANGE	PART #	RANGE	PART #
0-1 Amps	3201	0-15 Amps	3206
0-3 Amps	3202	10-0-10 Amps	3213
0-5 Amps	3203		
0-10 Amps	3205		

DC Voltmeters

RANGE	PART #	RANGE	PART #
0-3 Volts	3102z	0-50 Volts	3122
0-5 Volts	3104z	0-100 Volts	3113z
0-10 Volts	3107z	0-150 Volts	3115z
0-15 Volts	3108z	0-300 Volts	3117z**
0-25 Volts	3109z	0-500 Volts	3118z**

AC Voltmeters

RANGE	PART #	RANGE	PART #
0-10 Volts	3403	0-300 Volts	3407**
0-15 Volts	3404	0-25 Volts	3412
0-50 Volts	3405	0-500 Volts	3414**
0-150 Volts	3406		

VU Meters

RANGE	PART #
-20 to +3 VU	3801

OTHER SPECIALTY METERS AVAILABLE:

■ 550 Series



DC Milliammeters

RANGE	PART #	RANGE	PART #
0-1 Milli Amps	7336z	0-100 Milli Amps	7307z
0-3 Milli Amps	7301z	0-150 Milli Amps	7308z
0-5 Milli Amps	7302z	0-200 Milli Amps	7309z
0-10 Milli Amps	7303z	0-300 Milli Amps	7310z
0-25 Milli Amps	7305z	0-500 Milli Amps	7312z
0-50 Milli Amps	7306z		

DC Ammeters

RANGE	PART #	RANGE	PART #
0-1 Amps	7201z	0-25 Amps	7207z
0-3 Amps	7202z	0-50 Amps	7208z
0-5 Amps	7203z	0-30 Amps	7209z
0-10 Amps	7205z	20-0-20 Amps	7214z
0-15 Amps	7206z	50-0-50 Amps	7216z

DC Voltmeters

RANGE	PART #	RANGE	PART #
0-3 Volts	7102z	0-50 Volts	7122z
0-5 Volts	7104z	0-100 Volts	7113z
0-10 Volts	7107z	0-150 Volts	7115z
0-15 Volts	7108z	0-300 Volts	7117z**
0-25 Volts	7109z	0-500 Volts	7118z**

AC Milliammeters

RANGE	PART #	RANGE	PART #
0-10 Milliamps	7607z	0-100 Milliamps	7603z
0-25 Milliamps	7601z	0-250 Milliamps	7604z
0-50 Milliamps	7602z	0-500 Milliamps	7605z

AC Ammeters

RANGE	PART #	RANGE	PART #
0-1 Amps	7501z	0-10 Amps	7504z
0-5 Amps	7503z	0-30 Amps	7505z
0-5/0-50 Amps*	7503z-50	0-50 Amps	7506z
0-5/0-100 Amps*	7503z-100	0-80 Amps	7507z
0-5/0-150 Amps*	7503z-150	0-15 Amps	7508z
0-5/0-200 Amps*	7503z-200		
0-5/0-250 Amps*	7503z-250		
0-5/0-300 Amps*	7503z-300		
0-5/0-400 Amps*	7503z-400		
0-5/0-600 Amps*	7503z-600		

AC Voltmeters

RANGE	PART #	RANGE	PART #
0-10 Volts	7403z	0-300 Volts	7407z**
0-15 Volts	7404z	0-500 Volts	7414z**
0-25 Volts	7412z		
0-50 Volts	7405z		
0-150 Volts	7406z		

VU Meters

RANGE	PART #
-20 to +3 VU	7801z

DC Milliammeters

RANGE	PART #	RANGE	PART #
0-1 Milli Amps	8336z	0-50 Milli Amps	8306z
0-3 Milli Amps	8301z	0-100 Milli Amps	8307z
0-5 Milli Amps	8302z	0-150 Milli Amps	8308z
0-10 Milli Amps	8303z	0-200 Milli Amps	8309z
0-15 Milli Amps	8304z	0-300 Milli Amps	8310z
0-25 Milli Amps	8305z	0-500 Milli Amps	8312z

DC Ammeters

RANGE	PART #	RANGE	PART #
0-1 Amps	8201z	0-25 Amps	8207z
0-3 Amps	8202z	0-50 Amps	8208z
0-5 Amps	8203z	10-0-10 Amps	8213z
0-10 Amps	8205z	20-0-20 Amps	8214z
0-15 Amps	8206z	30-0-30 Amps	8215z
0-20 Amps	8204z	50-0-50 Amps	8216z

DC Voltmeters

RANGE	PART #	RANGE	PART #
0-3 Volts	8102z	0-50 Volts	8122z
0-5 Volts	8104z	0-100 Volts	8113z
0-10 Volts	8107z	0-150 Volts	8115z
0-15 Volts	8108z	0-300 Volts	8117z
0-25 Volts	8109z	0-500 Volts	8118z**
0-30 Volts	8120z		

AC Milliammeters

RANGE	PART #	RANGE	PART #
0-10 Milliamps	8607z	0-100 Milliamps	8603z
0-25 Milliamps	8601z	0-250 Milliamps	8604z
0-50 Milliamps	8602z	0-500 Milliamps	8605z

AC Ammeters

RANGE	PART #	RANGE	PART #
0-1 Amps	8501z	0-5/0-150 Amps*	8503z-150
0-3 Amps	8502z	0-5/0-200 Amps*	8503z-200
0-5 Amps	8503z	0-10 Amps	8504z
0-15 Amps	8508z	0-30 Amps	8505z
0-5/0-30 Amps*	8503z-30	0-50 Amps	8506z
0-5/0-50 Amps*	8503z-50	0-80 Amps	8507z
0-5/0-100 Amps*	8503z-100		

AC Voltmeters

RANGE	PART #	RANGE	PART #
0-10 Volts	8403z	0-150 Volts	8406z
0-15 Volts	8404z	0-300 Volts	8407z**
0-25 Volts	8412z	0-500 Volts	8414z**
0-50 Volts	8405z		

VU Meters

RANGE	PART #
-20 to +3 VU	8801z

* REMOVE "Z" SUFFIX FROM PART NUMBER TO ORDER WITHOUT ZERO ADJUST.

** SUPPLIED WITH EXTERNAL RESISTOR

* FOR USE WITH EXTERNAL CURRENT TRANSFORMER

ADD "BP" TO THE END OF THE PART NUMBER FOR BEHIND PANEL MOUNTING